

# Series e-HSC

## Double Suction Centrifugal Pumps

PERFORMANCE CURVES - 50 HZ

# Service and support from the most trusted name in the industry – Bell & Gossett.

The Bell & Gossett name has always stood for uncompromising quality and dependability. That's evident in the way every one of our centrifugal pumps is built and backed by our outstanding customer service and support team.

Your local Bell & Gossett representative is available any time and is an experienced professional with a wealth of technical expertise. In addition to expert system and product application assistance and a wide product inventory warehoused locally, we offer ESP-Systemwize software selection program.



ESP-Systemwize is a Bell & Gossett web-based software that helps you design HVAC systems accurately, effectively and very quickly. You get fast, precise equipment selection, pump performance curves and equipment schedules, submittals, specifications and more.

ESP-Systemwize includes:

- Centrifugal Pumps
- Air/Dirt Separators
- Drives and Controls
- Expansion Tanks
- Heat Exchangers
- PIC Valves
- Replacement Parts
- Suction Diffuser and Triple Duty Valve
- Wastewater/Stormwater

**[www.esp-systemwize.com](http://www.esp-systemwize.com)**

# TABLE OF CONTENTS

<b>Model List</b>	<b>4</b>
<b>Hydraulic Family Performance</b>	<b>5</b>
<b>General Introduction &amp; Specifications</b>	<b>9</b>
<b>Parts &amp; Materials</b>	<b>11</b>
e-HSC Pump Exploded View	11
Mechanical Seals	13
Pump Material Configurations	14
Motor and Coupling Information	14
<b>Accessories</b>	<b>15</b>
Monitoring Equipment & Tools	15
Variable Frequency Drives (VFDs)	16
<b>Dimensional Data &amp; Weights (Pump End Only)</b>	<b>17</b>
65 mm [2.5 in.] Discharge	18
80 mm [3 in.] Discharge	18
100 mm [4 in.] Discharge	19
125 mm [5 in.] Discharge	20
150 mm [6 in.] Discharge	22
200 mm [8 in.] Discharge	24
250 mm [10 in.] Discharge	26
300 mm [12 in.] Discharge	27
350 mm [14 in.] Discharge	29
400 mm [16 in.] Discharge	31
450 mm [18 in.] Discharge	32
500 mm [20 in.] Discharge	32
125# ANSI Flange Dimensions	33
250# ANSI Flange Dimensions	34
DIN/PN16 Flange Dimensions	35
DIN/PN25 Flange Dimensions	36
DIN/PN40 Flange Dimensions	37
Shared Flange Dimensions (Thickness)	38
Flange Loading (Forces and Moments)	39

<b>Hydraulic Performances (6-Pole)<sup>1</sup></b>	<b>40</b>
65 mm [2.5 in.] Discharge	40
80 mm [3 in.] Discharge	40
100 mm [4 in.] Discharge	42
125 mm [5 in.] Discharge	44
150 mm [6 in.] Discharge	46
200 mm [8 in.] Discharge	49
250 mm [10 in.] Discharge	52
300 mm [12 in.] Discharge	54
350 mm [14 in.] Discharge	57
400 mm [16 in.] Discharge	59
450 mm [18 in.] Discharge	61
500 mm [20 in.] Discharge	61
<b>Hydraulic Performances (4-Pole)<sup>1</sup></b>	<b>62</b>
65 mm [2.5 in.] Discharge	62
80 mm [3 in.] Discharge	62
100 mm [4 in.] Discharge	64
125 mm [5 in.] Discharge	66
150 mm [6 in.] Discharge	68
200 mm [8 in.] Discharge	71
250 mm [10 in.] Discharge	74
300 mm [12 in.] Discharge	76
350 mm [14 in.] Discharge	79
400 mm [16 in.] Discharge	82
450 mm [18 in.] Discharge	83
500 mm [20 in.] Discharge	83
<b>Hydraulic Performances (2-Pole)<sup>1</sup></b>	<b>84</b>
65 mm [2.5 in.] Discharge	84
80 mm [3 in.] Discharge	84
100 mm [4 in.] Discharge	86
125 mm [5 in.] Discharge	87
150 mm [6 in.] Discharge	88

<sup>1</sup>Hydraulic performance curves not shown may be available through online selection tools if not displayed in this booklet. Use online selection tools to view the most up-to-date performance data.

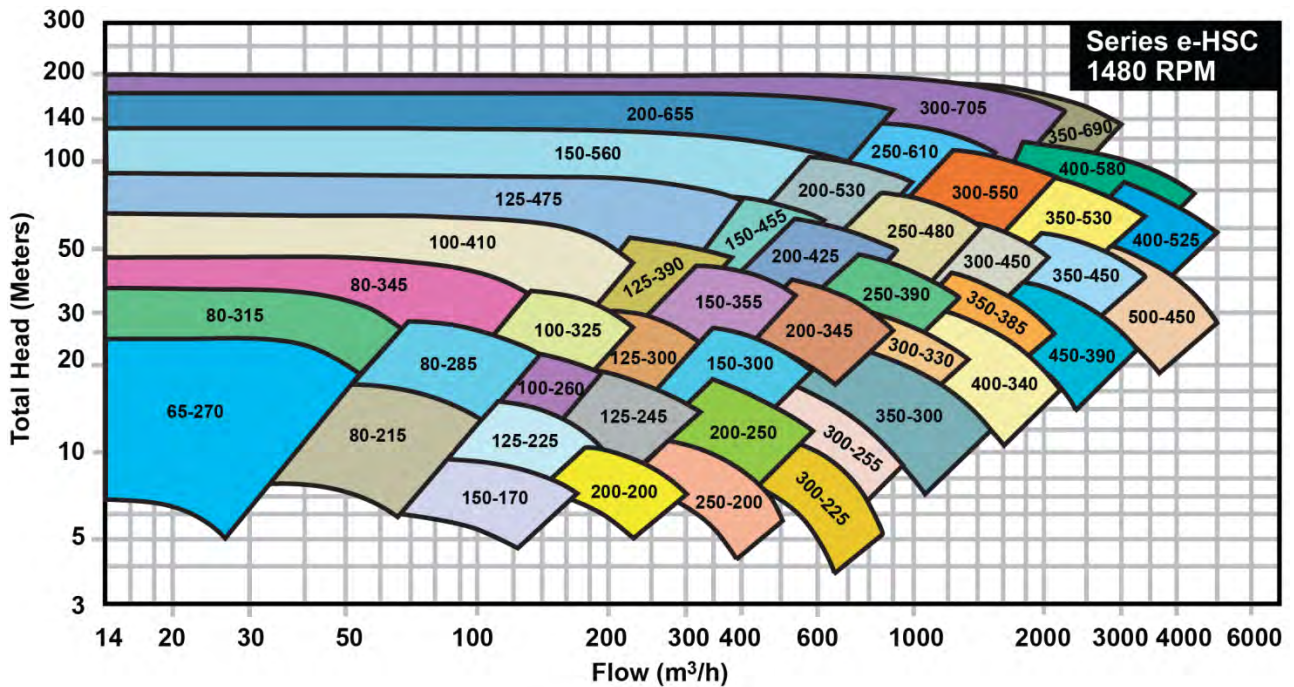
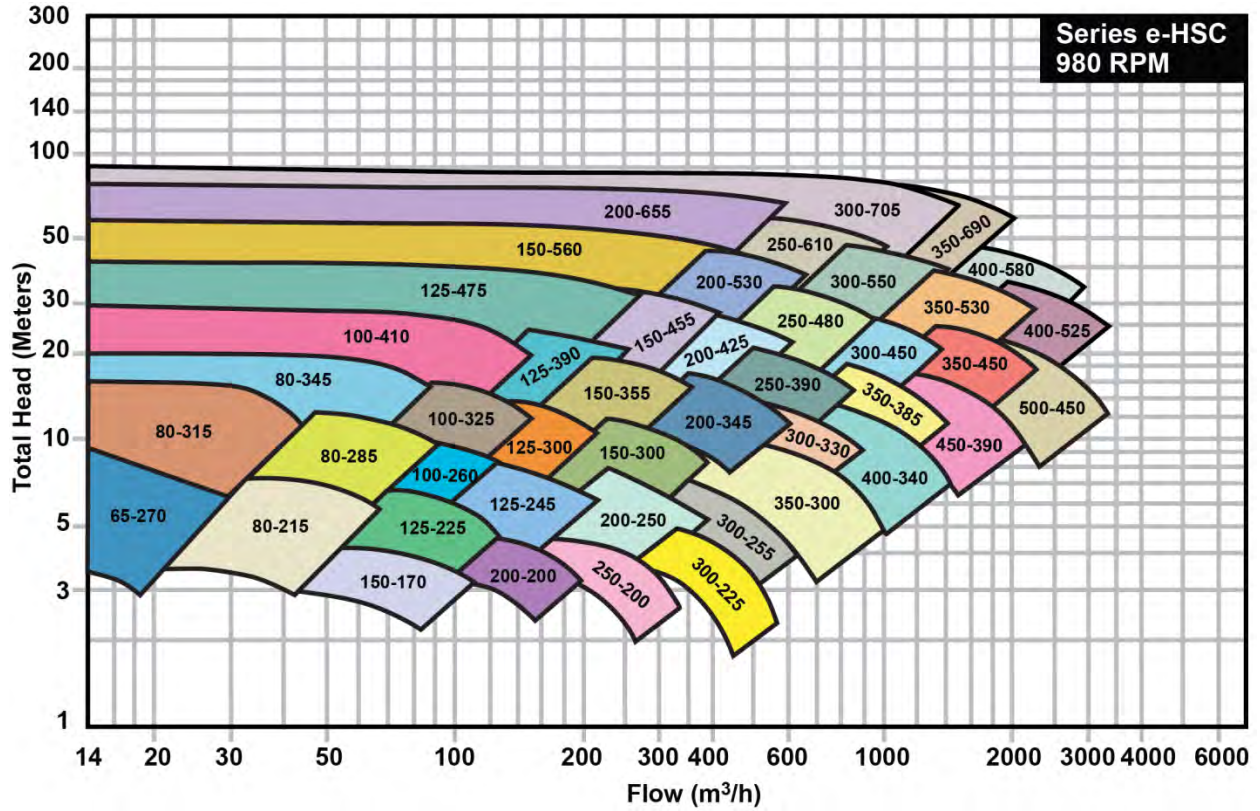
# MODEL LIST

No.	e-HSC Metric Model <sup>1</sup>		e-HSC Imperial Model <sup>2</sup>		2-Pole	4-Pole	6-Pole
1	65-270	65-250	2.5x4x10.5	2.5x4x10	•	•	•
2	80-315	80-300	3x4x12.5	3x4x12	•	•	•
3	80-215	80-205	3x5x8.5	3x5x8	•	•	•
4	80-285	80-270	3x5x11	3x5x10.5	•	•	•
5	80-345	80-330	3x5x13.5	3x5x13		•	•
6	100-260	100-250	4x6x10	4x6x9.5	•	•	•
7	100-325	100-310	4x6x13	4x6x12	•	•	•
8	100-410	100-390	4x6x16	4x6x15.5		•	•
9	125-225	125-215	5x6x9	5x6x8.5		•	•
10	125-245	125-235	5x8x9.5	5x8x9	•	•	•
11	125-300	125-285	5x8x12	5x8x11	•	•	•
12	125-390	125-370	5x8x15.5	5x8x14.5		•	•
13	125-475	125-450	5x8x19	5x8x18		•	•
14	150-170	150-160	6x8x6.5	6x8x6		•	•
15	150-300	150-285	6x8x12	6x8x11		•	•
16	150-355	150-340	6x8x14	6x8x13.5		•	•
17	150-455	150-435	6x8x18	6x8x17		•	•
18	150-560	150-535	6x8x22	6x8x21		•	•
19	150-280	150-265	6x10x11	6x10x10.5	•		
20	200-200	200-190	8x8x8	8x8x7.5		•	•
21	200-250	200-235	8x10x10	8x10x9.5		•	•
22	200-345	200-330	8x10x13.5	8x10x13		•	•
23	200-425	200-405	8x10x17	8x10x16		•	•
24	200-530	200-505	8x10x21	8x10x20		•	•
25	200-655	200-625	8x10x26	8x10x25		•	•
26	250-200	250-190	10x10x8	10x10x7.5		•	•
27	250-390	250-370	10x12x15.5	10x12x14.5		•	•
28	250-480	250-455	10x12x19	10x12x18		•	•
29	250-610	250-580	10x12x24	10x12x23		•	•
30	300-225	300-215	12x12x9	12x12x8.5		•	•
31	300-255	300-245	12x12x10	12x12x9.5		•	•
32	300-330	300-315	12x14x13	12x14x12.5		•	•
33	300-450	300-430	12x16x18	12x16x17		•	•
34	300-550	300-525	12x16x22	12x16x21		•	•
35	300-705	300-670	12x16x28	12x16x27		•	•
36	350-300	350-285	14x14x12	14x14x11		•	•
37	350-385	350-365	14x16x15	14x16x14.5		•	•
38	350-690	350-655	14x16x27.5	14x16x26		•	•
39	350-450	350-430	14x18x18	14x18x17		•	•
40	350-530	350-505	14x18x21	14x18x20		•	•
41	400-340	400-325	16x16x13.5	16x16x13		•	•
42	400-525	400-500	16x20x20.5	16x20x19.5		•	•
43	400-580	400-550	16x20x23	16x20x22		•	•
44	450-390	450-370	18x20x15.5	18x20x14.5		•	•
45	500-450	500-430	20x24x18	20x24x17		•	•

<sup>1</sup>Metric pump model nomenclature: (Discharge diameter) – (Impeller diameter) in mm

<sup>2</sup>Imperial pump model nomenclature: (Discharge diameter) x (Suction diameter) x (Impeller diameter) in inches

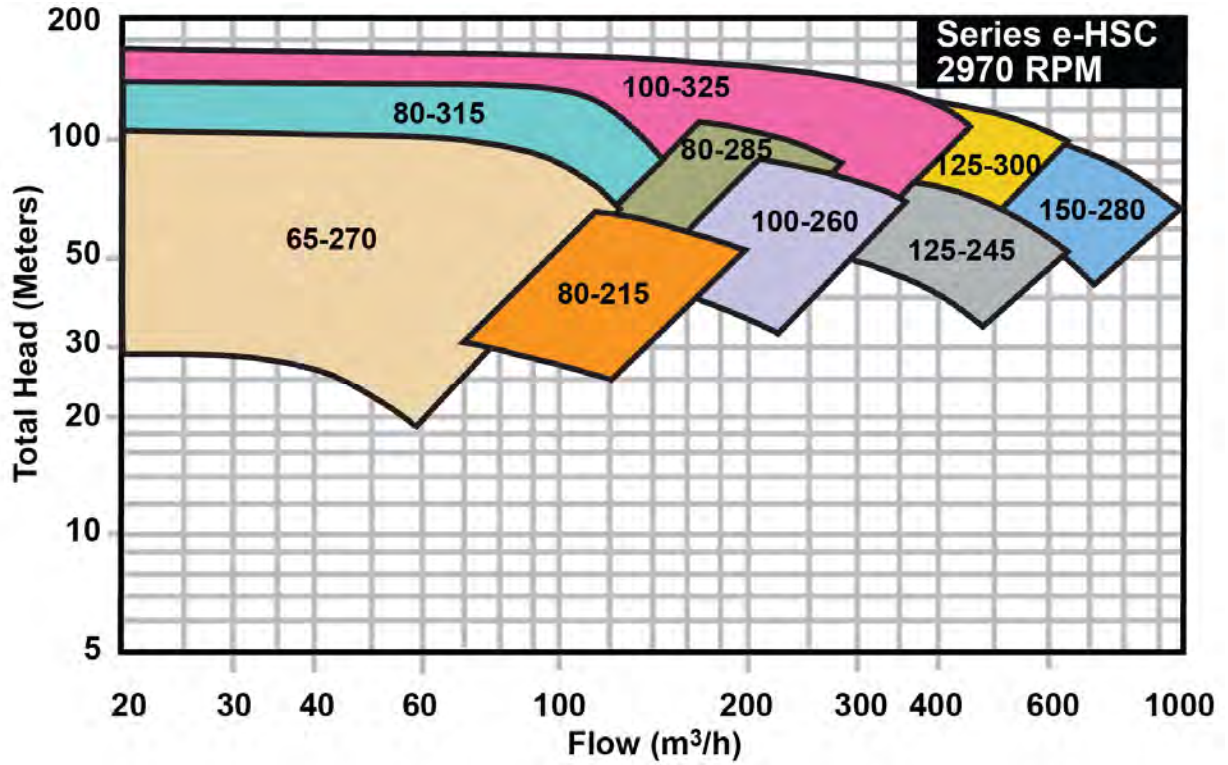
# e-HSC Pump 50 Cycle Performance Range (Metric Nomenclature)



Note: Every pump size listed contains two distinct impeller designs – i.e. the 65-270 model also contains the 65-250 configuration. See individual model curves for details. Click on a pump model to be taken to the individual curve.

Note: 1 m<sup>3</sup>/h = 4.4 GPM

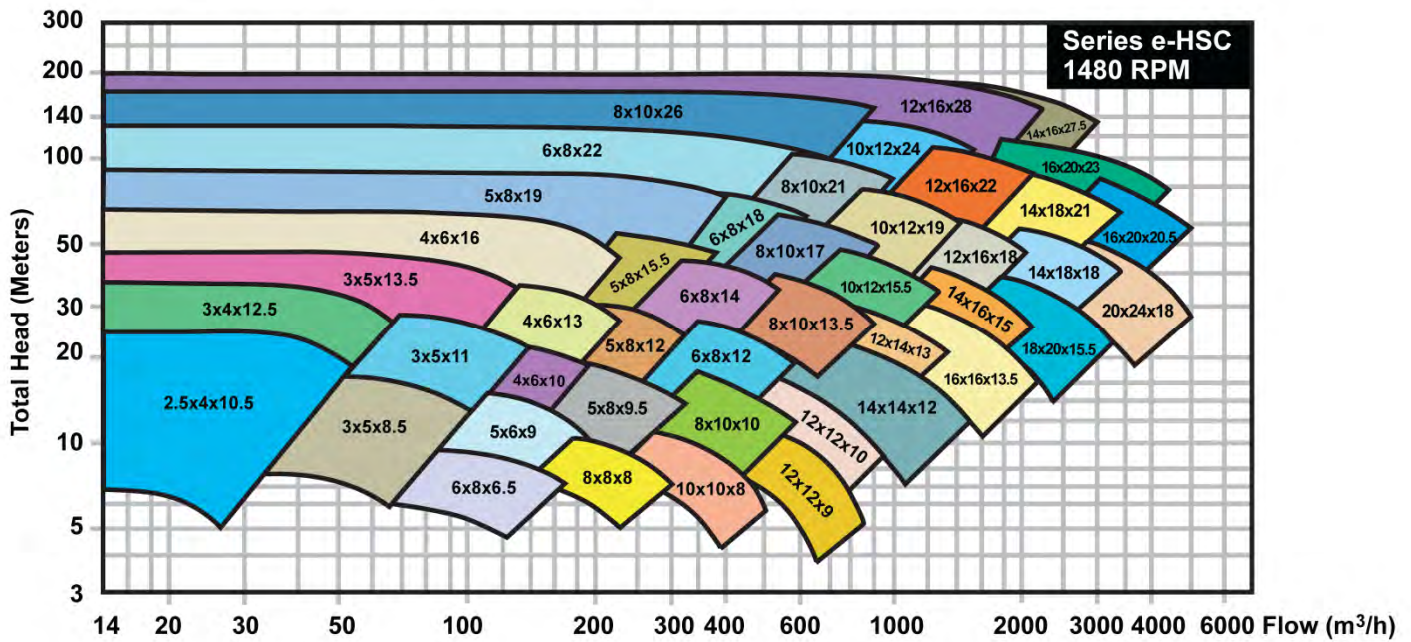
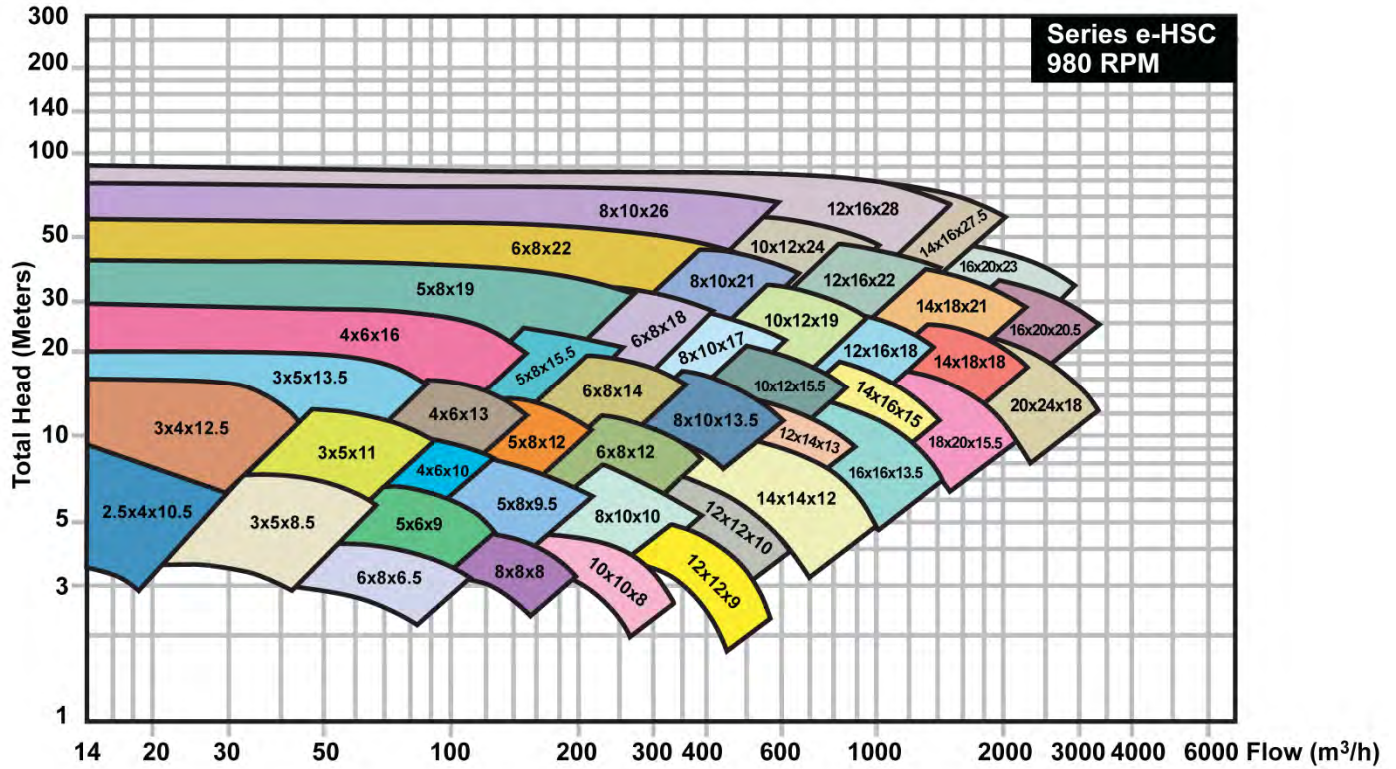
# e-HSC Pump 50 Cycle Performance Range (Metric Nomenclature)



Note: Every pump size listed contains two distinct impeller designs – i.e. the 65-270 model also contains the 65-250 configuration. See individual model curves for details. Click on a pump model to be taken to the individual curve.

Note: 1 m<sup>3</sup>/h = 4.4 GPM

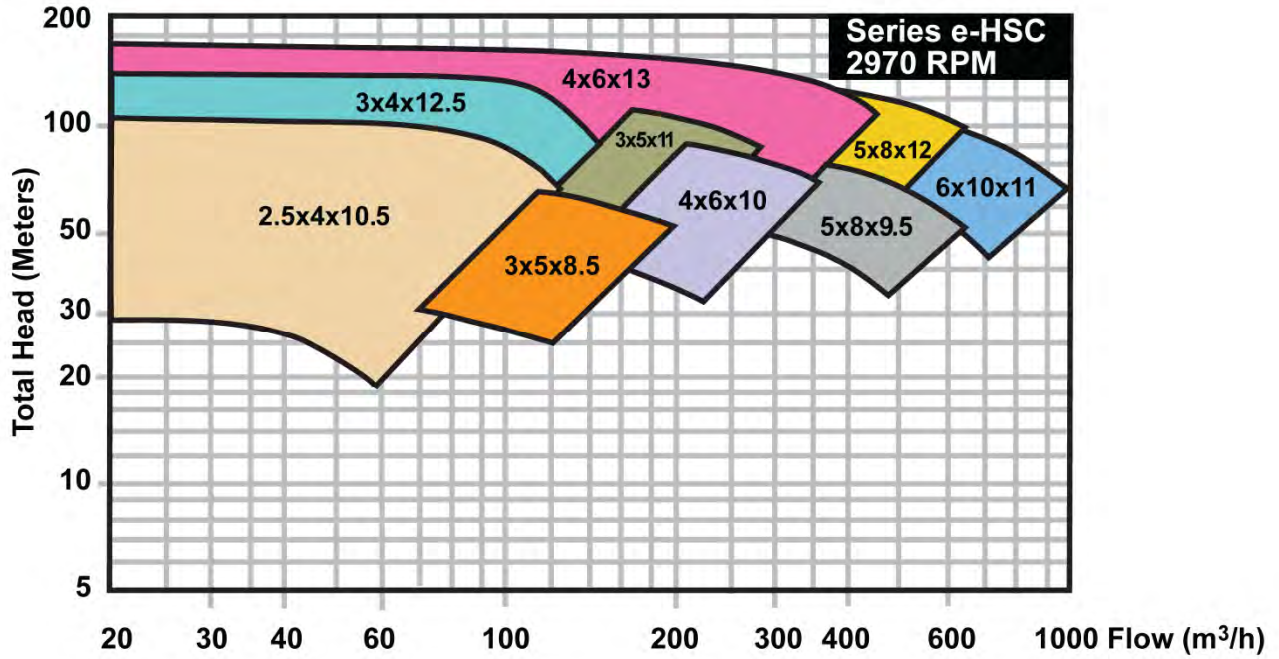
# e-HSC Pump 50 Cycle Performance Range (Imperial Nomenclature)



Note: Every pump size listed contains two distinct impeller designs – i.e. the 3x5x8.5 model also contains the 3x5x8 configuration. See individual model curves for details. Click on a pump model to be taken to the individual curve.

Note: 1 m<sup>3</sup>/h = 4.4 GPM

# e-HSC Pump 50 Cycle Performance Range (Imperial Nomenclature)



Note: Every pump size listed contains two distinct impeller designs – i.e. the 3x5x8.5 model also contains the 3x5x8 configuration. See individual model curves for details. Click on a pump model to be taken to the individual curve.

Note: 1 m<sup>3</sup>/h = 4.4 GPM

# GENERAL INTRODUCTION

The new **e-HSC** pump series is the result of close collaboration between our customers and us; the new range has been redesigned and improved to meet the Commercial Building Services (CBS) requirements in terms of performance and energy savings. It features 90 pump models with standard and optional material combinations in order to meet a wide variety of customer needs (see page 12 for more material offering details).

## Pump Design

The **e-HSC** pump is a centrifugal double suction electro-pump with a single stage, horizontally split case and radial flanged design. The **e-HSC** pump has cast iron casing (ductile iron on high pressure models) and stainless steel impeller standard.

**e-HSC** pumps are equipped with interchangeable mechanical seals, Premium efficiency motors, and baseplates for added support. Easily adjustable ANSI/OSHA compliant coupling guards are also included standard.

**e-HSC** pumps are designed for ease of serviceability. The horizontal split-case design allows the entire rotating assembly to be removed simultaneously after removing the upper casing. Additionally, mechanical seal and bearing service can be performed without removing the upper casing of the pump. Both of these features permit pump maintenance without removing attached piping.

## Applications

- Chillers
- Cooling towers
- Distributive pumping
- District cooling and heating
- Primary & secondary HVAC pumping
- Process application in HVAC markets



## Additional Benefits

- **Performance:** ErP 2015, EISA 2010 compliant and equipped with Premium efficiency motors, the e-HSC product line provides best-in-class hydraulic coverage at high efficiencies.
- **Reliability:** High production quality, robust construction and operation, and easy access to mechanical elements ensure continuous operation with minimal downtime for maintenance.
- **Total Cost Ownership:** Best-in-class hydraulic and electric efficiency with easy and quick maintenance reduce energy expenditure as well as operation and maintenance costs.
- **Pre-post Sales Support:** We are continuously working close to our customers to help them select the right pump for their specific application. Improved user-friendly selection software equipped with many tools and filters is available on the web and on apps for mobile phones. Experienced engineers are fully dedicated to big projects for all customer needs.

## Hydraulic Specifications

- Maximum flow: **5000 m<sup>3</sup>/hr [22,000 GPM]**
- Maximum head: **165 m [541 ft.]**
- Hydraulic performance compliant with ANSI/HI 14.6 and ISO 9906:2012 (Grade 2B)

## Fluid Temperature Range

- Standard version (with mechanical seal): **-20 to 121°C [-4 to 250°F]**

## Maximum Operating Pressure (Seals & Casings)

### Global Offering

- Mechanical seal pressure options up to **31 bar [450 psi]**
- Cast iron casing working pressures: **16 bar [232 psi]**
- Version with ductile iron casing: **25 & 31 bar [362 & 450 psi]**

### North American Offering

- Mechanical seal pressure options up to **31 bar [450 psi]**
- Cast iron casing working pressures: **12 bar [175 psi]**
- Version with ductile iron casing: **28 & 31 bar [400 & 450 psi]**

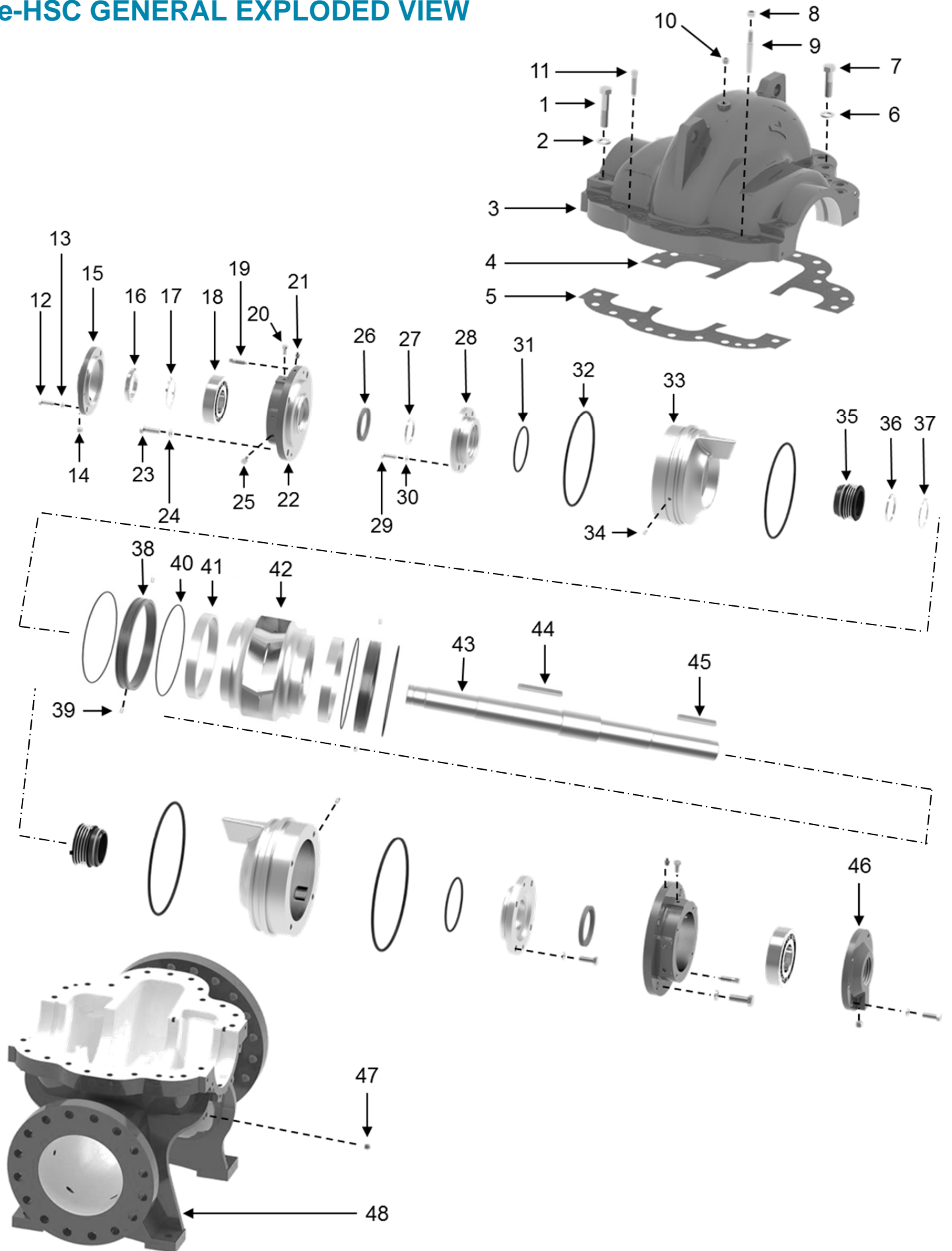
## Flange Drilling Specifications

- DIN/PN 16/25/40, EN 1092-1 (Global)
- ASME/ANSI B16.1, 125/250# (North America)

## Motor Specifications

- IEC motors (Global) with **IE3** efficiency (**IE4** and **IE2** options available)
- **NEMA Premium** efficiency per EISA 2010 (North America)
- **IP55** protection degree as motor, **IPX5** as electro-pump
- 2, 4, 6-pole ranges
- Maximum 3-phase ambient temperature: **40°C [104°F]**
- Inverter-Duty Ready
- Open drip proof (ODP) and totally enclosed fan cooled (TEFC) enclosures
- Performances according to **NEMA MG-1** (North America)
- PTC/RTD Transducers (Optional)
- **Class B** insulation with temperature rise of **F** (Global)
- **Class F** insulation (North America)
- Standard voltages:
  - 3 x 380 V (Global)
  - 3 x 460/575 V (North America)

# e-HSC GENERAL EXPLODED VIEW



LEGEND					
NO.	Description	Qty.	NO.	Description	Qty.
1	Large Casing Bolt	4	25	Sensor Screw	10
2	Large Casing Washer	4	26	Lip Seal	2
3	Upper Casing	1	27	Shoulder Ring	2
4	Suction Gasket	1	28	Seal Gland	2
5	Discharge Gasket	1	29	Bolt (Seal Gland)	8
6	Casing Washer	*	30	Washer (Seal Gland)	8
7	Casing Bolt	*	31	O-Ring (Seal Gland)	2
8	Tapered Pin Nut	2	32	O-Ring (Stuffing Box)	4
9	Tapered Pin	2	33	Stuffing Box (Seal Body)	2
10	Vent Plug	1	34	Pin (Seal Body)	2
11	Jacking Screw	4	35	Mechanical Seal	2
12	Bolt (Bearing Gland)	8	36	Shoulder Ring (MS)	1
13	Washer (Bearing Gland)	8	37	Circlip (Snap Ring)	1
14	Plug (Bearing Gland)	2	38	Casing Wear Ring (Optional)	2
15	Bearing Gland B (Outboard Gland) <sup>1</sup>	2	39	Pin (CWR only)	4
16	Locknut (Bearing)	1	40	O-Ring (CWR only)	4
17	Lockwasher (Bearing)	1	41	Impeller Wear Ring (Optional) <sup>2</sup>	2
18	Deep Groove Ball Bearing	2	42	Impeller	1
19	Jacking Screw (Bearing Housing)	4	43	Shaft	1
20	Screw (BH Top)	2	44	Impeller Key	1
21	Grease Cup	2	45	Coupling Key	1
22	Bearing Housing	2	46	Bearing Gland A (Inboard Gland) <sup>1</sup>	1
23	Bolt (Bearing Housing)	8	47	Drain Plug	10
24	Washer (Bearing Housing)	8	48	Lower Casing	1

\*Quantity varies with pump size

<sup>1</sup>Bearing gland gasket not depicted. Gasket is placed between bearing gland and bearing housing.

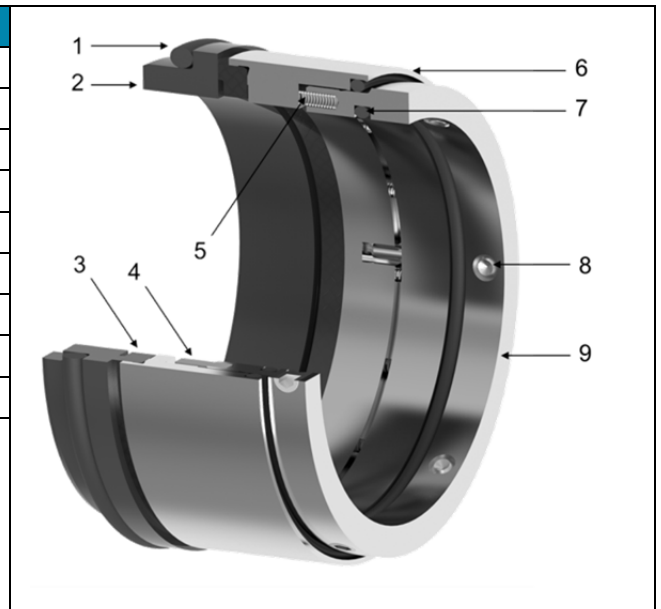
<sup>2</sup>Set screws not depicted. Each impeller wear ring is fastened to the impeller with (3) screws placed 120° apart. Screw fastening axis runs parallel to the shaft axis of rotation.

# MECHANICAL SEALS

## MR1 Balanced Metal Pusher Seal

LEGEND	Description	Material
1	O-Ring	EPDM, FKM
2	Fixed Assembly	Silicon Carbide
3	Rotating Assembly	Carbon, Silicon Carbide
4	Pin	AISI 316
5	Coil Spring	AISI 316
6	Seal Bracket	18-8 Stainless steel
7	O-Ring	EPDM, FKM
8	Set Screw	AISI 316
9	Drive Ring	AISI 316

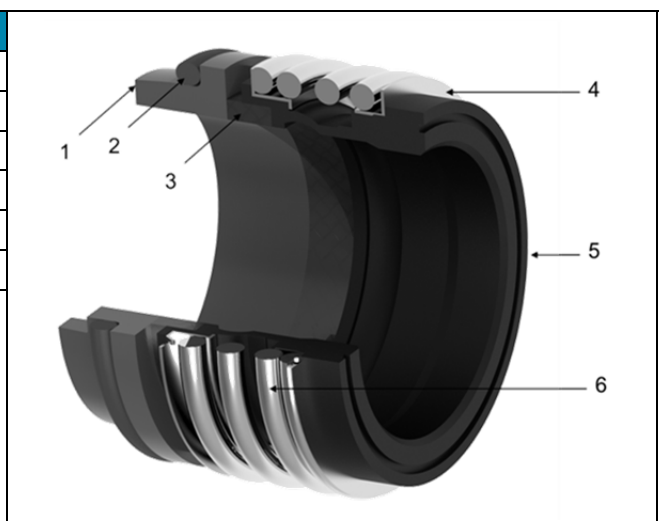
Up to 110 mm and 31 bar [450 psi] (DIN 24960 & EN12756)  
 Standard offering for working pressures above 16 bar [232 psi]  
 Temperature range: -20 to 121°C [-4 to 250°F]



## MR2 Unbalanced Rubber Bellow Seal

LEGEND	Description	Material
1	Fixed Assembly	Silicon carbide
2	O-Ring	EPDM
3	Rotating Assembly	Carbon
4	Spring Retainer	18-8 SS
5	Elastomer Bellow	EPDM
6	Spring	18-8 SS

Up to 110 mm and 16 bar [232 psi] (DIN 24960 & EN12756)  
 Standard offering for working pressures up to 16 bar [232 psi]  
 Temperature range: -20 to 121°C [-4 to 250°F]



Note: Mechanical seals do not have a suction pressure limitation due to the internally flushed design of e-HSC pumps. Seals are rated to withstand max working pressures of e-HSC pumps.

# MATERIAL CONFIGURATIONS

## PART MATERIAL CONFIGURATIONS

COMPONENT	STANDARD OPTION		OTHER AVAILABLE OPTIONS		
Casing	Cast Iron	Ductile Iron <sup>1</sup>	-		
Shaft	Stainless steel 420		Stainless steel Duplex 2205		
Impeller	Stainless steel 304 (CF8)		SS 316 (CF8M)	C87600 Bronze	
Casing wear rings <sup>3</sup>	C90300 Bronze		SS 420 <sup>2</sup>	SS Duplex <sup>2</sup>	Nitronic 60 <sup>2</sup>
Impeller wear rings <sup>3</sup>	Stainless steel 304 (CF8)		SS 316 (CF8M)		C87600 Bronze
Mechanical seal type	MR2		MR1 <sup>1</sup>		
Mechanical seal material <sup>4</sup>	Carbon/SiC/EPDM		SiC/SiC/EPDM	Carbon/SiC/FKM	SiC/SiC/FKM

<sup>1</sup>Standard for working pressures above 232 psi (16 bar)

<sup>2</sup>Optional material with long lead time

<sup>3</sup>Casing and impeller wear rings are optional components with standard material configurations. Impeller wear ring material must always match impeller material. Casing and impeller wear ring materials must not match.

<sup>4</sup>MR2 seal only available in standard material configuration. See *Mechanical Seals* for more information.

## COUPLING, MOTOR, AND OTHER ACCESSORIES

COUPLING TYPE	STANDARD OPTION		OTHER AVAILABLE OPTIONS		
Non-Spacer	Curved Jaw		Duraflex®	Falk Steelflex®	Falk Gear Type®
Spacer	Flexible Disc <sup>1</sup>		Falk Steelflex®		Falk Gear Type
<sup>1</sup> Standard only for HV motors					

ITEM	STANDARD OPTION		OTHER AVAILABLE OPTIONS		
Motor Type	IE3 Efficiency		IE4 Efficiency	IE2 Efficiency	
Power Range <sup>1</sup>	0-315 kW		315+ kW		
Enclosure	Totally enclosed fan cooled (TEFC)		Open drip proof (ODP)		
Other Motor Features	IP55 Protection	1.15 Service Factor	PTC, PT100	Aegis® bearing protection rings or shielded bearings	Explosion proof motor
<sup>1</sup> Standard power rating supported up to 355M frame size.					

OTHER ACCESSORIES
Drip pan (lead times dependent on supplier)
Temperature Sensor (lead times dependent on supplier)
Vibration Sensor (lead times dependent on supplier)
Pressure Sensor (lead times dependent on supplier)
Universal disassembly tool (short lead time)

# e-HSC PUMP ACCESSORIES

## Temperature Monitoring (PN: P6011896)

### Description

- Prosense ETS Series Digital Temperature Sensor

### Attributes

- -58°F to 302°F [-50°C to 150°C]
- ¼ inch male NPT process connection
- 30 mm [1.18 in.] insertion length
- Output 1: Switch PNP, N.O./N.C. selectable or 4 to 20 mA
- Output 2: Switch PNP, N.O./N.C. selectable or 4 to 20 mA, 4-digit display

## Vibration Monitoring (PN: P6015979)

### Description

- PCB Piezotronics Industrial Velocity Transmitter

### Attributes

- Output: 4 to 20 mA
- 1/4-28 UNF process connection
- 0 to 1 in/sec pk
- 3 to 1k Hz
- Top exit
- 2-pin connection

## Pressure Monitoring (PNs: S13203, S13204)

### Description (S13203)

- American Sensor Technologies Pressure Sensor/Transmitter

### Attributes

- AST range 0 to 100 psi [0 to 6.9 bar]
- Output: 4 to 20 mA
- ¼ inch male NPT process connection
- 10 ft. [3 m] wiring
- 316L wetted material

### Description (S13204)

- American Sensor Technologies Pressure Sensor/Transmitter

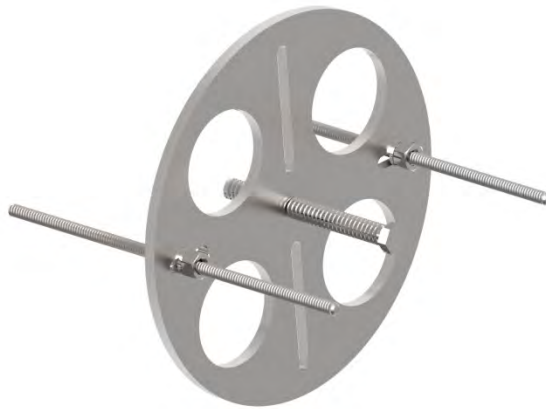
### Attributes

- AST range 0 to 300 psi [0 to 20.7 bar]
- Output: 4 to 20 mA
- ¼ inch male NPT process connection
- 10 ft. [3 m] wiring
- 316L welded material

## Universal Disassembly Tool (PN: P6014747)

### Description

- Optional tool which assists with bearing housing, seal gland, and mechanical seal extraction. Refer to the e-HSC pump instruction manual (IOM PN: P6016605) for more information on how to use the universal disassembly tool.



Universal Disassembly Tool (PN: P6014747)

## Variable Frequency Drives (VFDs) Overview

### Description

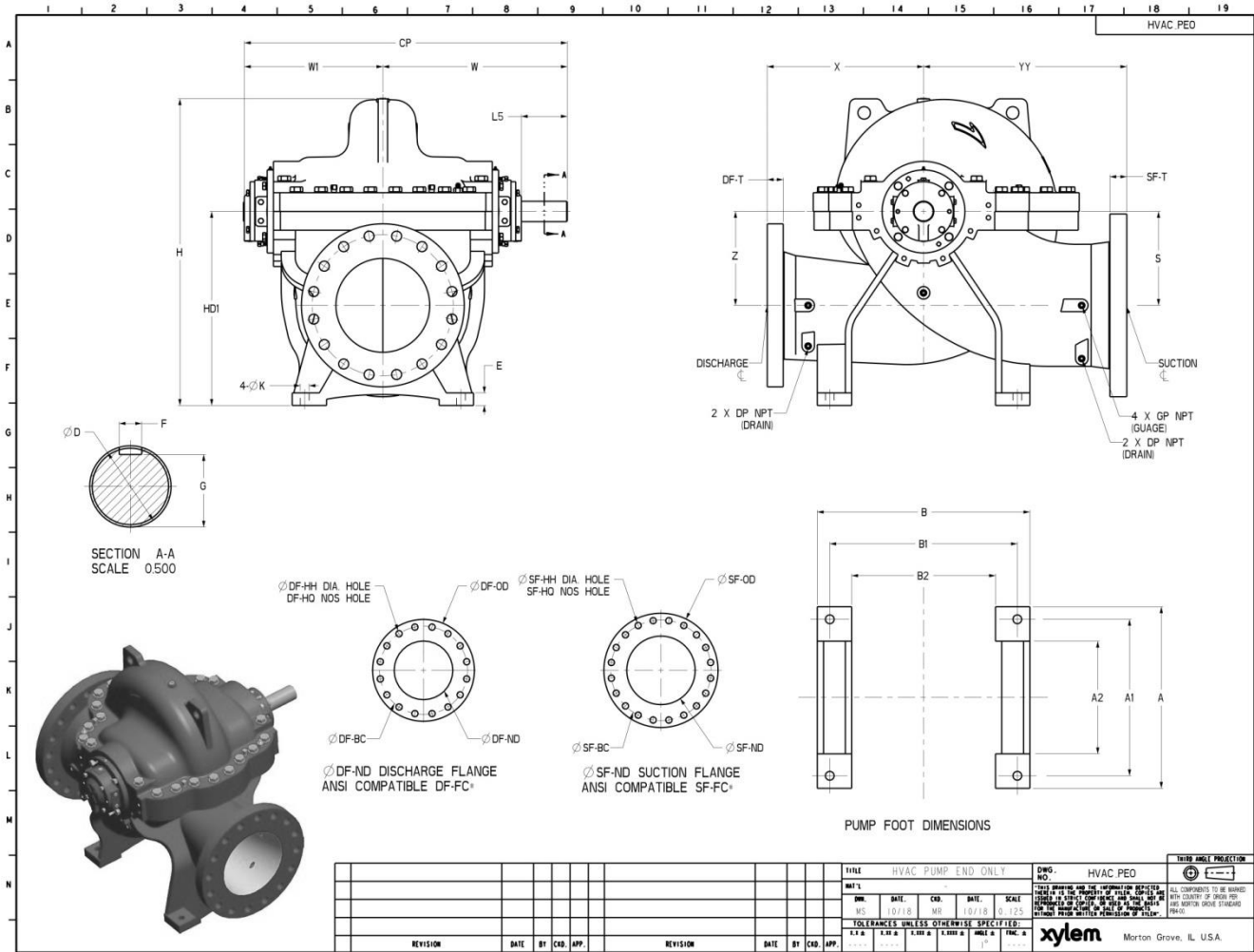
- Technologic® IPC Variable Speed Controller

### Attributes

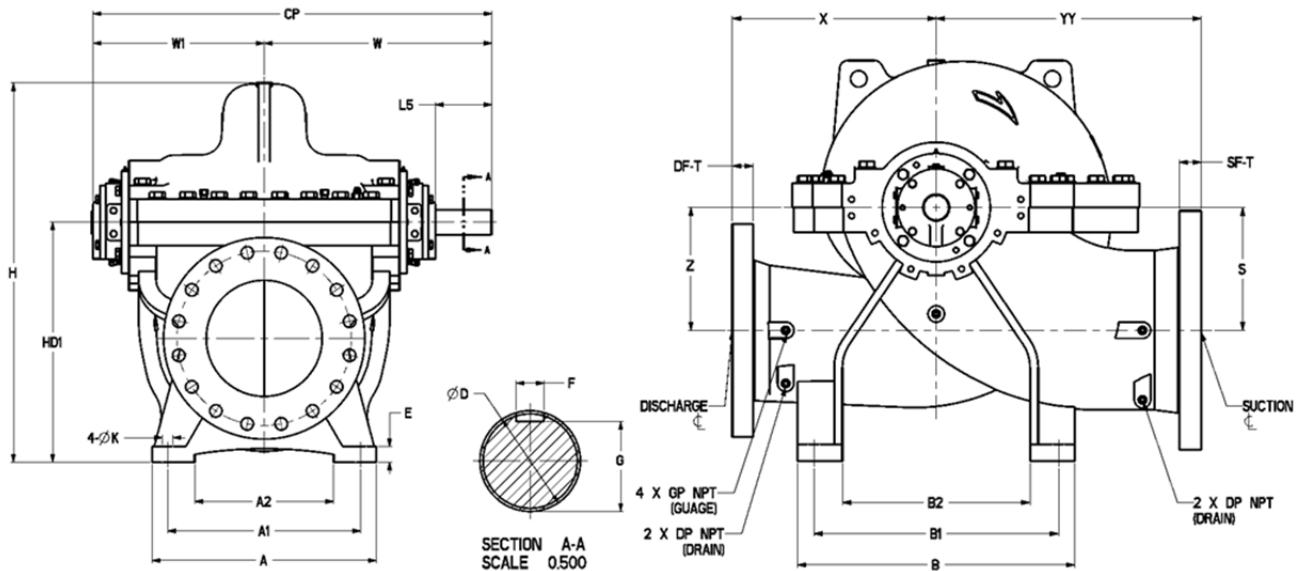
- 460/575V
- 1.5 to 125 hp and 150 to 600 hp range options
- Temperature rating: 14°F to 113°F [-10°C to 45°C]
- Built-in BACnet, Modbus RTU, N2 Metasys FLN
- 2 analog inputs, 1 analog output
- 4 digital inputs, 2 digital outputs
- Mains disconnect with optional fuses
- Optional bypass for cross-the-line operation (UL TYPE 1 and UL TYPE 12 only)
- UL TYPE 1, 2, 3R and 4X enclosure options
- Fan-cooled via temperature controller
- 100 kA SCCR rating

For more detailed drive information and selection, visit [www.esp-systemwize.com](http://www.esp-systemwize.com)

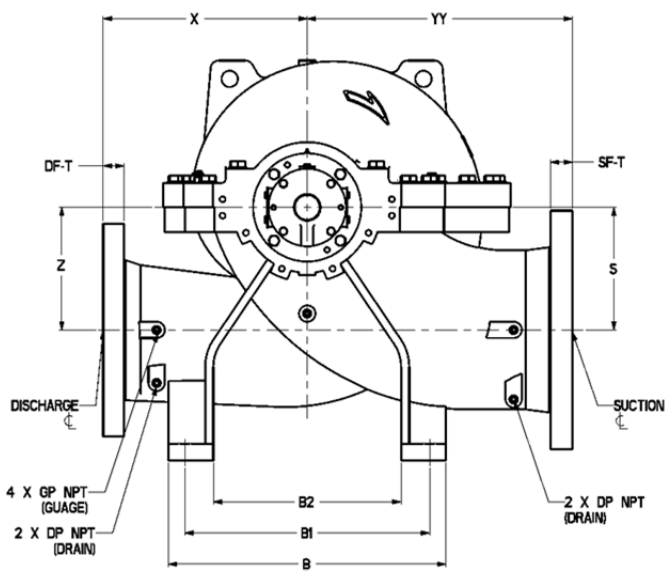
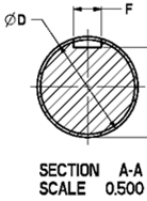
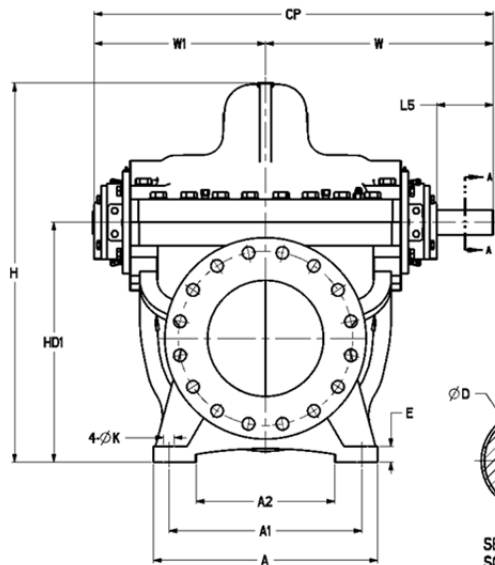
# e-HSC PUMP DIMENSIONAL DATA (PUMP END ONLY)



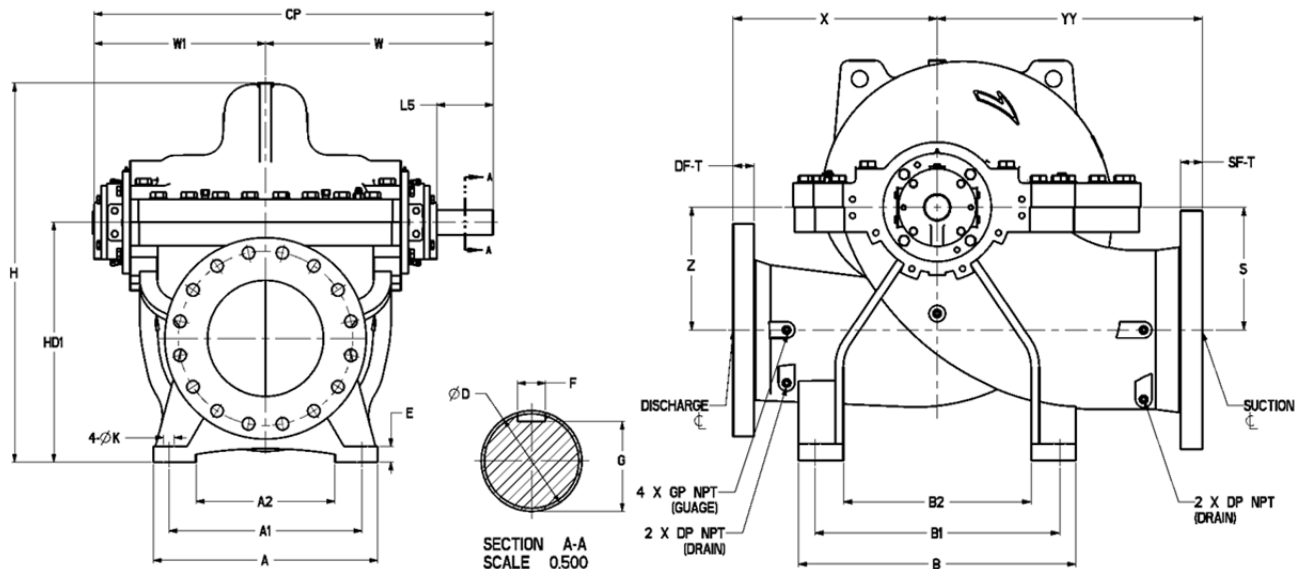
Imp. Size	2.5X4X10.5		Imp. Size	3X4X12.5		Imp. Size	3X5X8.5	
	2.5X4X10			3X4X12			3X5X8	
Metric Size	65-270		Metric Size	80-315		Metric Size	80-215	
	65-250			80-300			80-205	
Dimension	Value (in.)	Value (mm)	Dimension	Value (in.)	Value (mm)	Dimension	Value (in.)	Value (mm)
YY	11.81	300	YY	14.17	360	YY	11.81	300
X	11.81	300	X	12.99	330	X	11.81	300
H	18.31	465	H	19.29	490	H	19.49	495
HD1	11.02	280	HD1	11.02	280	HD1	12.6	320
Z	5.12	130	Z	5.12	130	Z	6.3	160
S	5.12	130	S	5.12	130	S	6.3	160
B	11.81	300	B	13.78	350	B	13.78	350
B1	9.84	250	B1	11.81	300	B1	11.81	300
B2	6.3	160	B2	8.27	210	B2	8.27	210
W1	10.12	257	W1	11.5	292	W1	11.5	292
W2	13.39	340	W2	14.76	375	W2	14.76	375
CP	23.5	597	CP	26.26	667	CP	26.26	667
L5	3.15	80	L5	3.15	80	L5	3.15	80
D	1.38	35	D	1.38	35	D	1.38	35
A	11.81	300	A	13.78	350	A	13.78	350
A1	9.84	250	A1	11.81	300	A1	11.81	300
A2	6.3	160	A2	8.27	210	A2	8.27	210
E	1.18	30	E	1.18	30	E	1.18	30
K	0.73	18.5	K	0.73	18.5	K	0.73	18.5
G	1.18	30	G	1.18	30	G	1.18	30
F	0.39	10	F	0.39	10	F	0.39	10
DP	1/2 NPT	1/2 BSPT	DP	1/2 NPT	1/2 BSPT	DP	1/2 NPT	1/2 BSPT
GP	1/2 NPT	1/2 BSPT	GP	1/2 NPT	1/2 BSPT	GP	1/2 NPT	1/2 BSPT
Weight	(lb.)	(kg)	Weight	(lb.)	(kg)	Weight	(lb.)	(kg)
	478	217		662	300		507	230



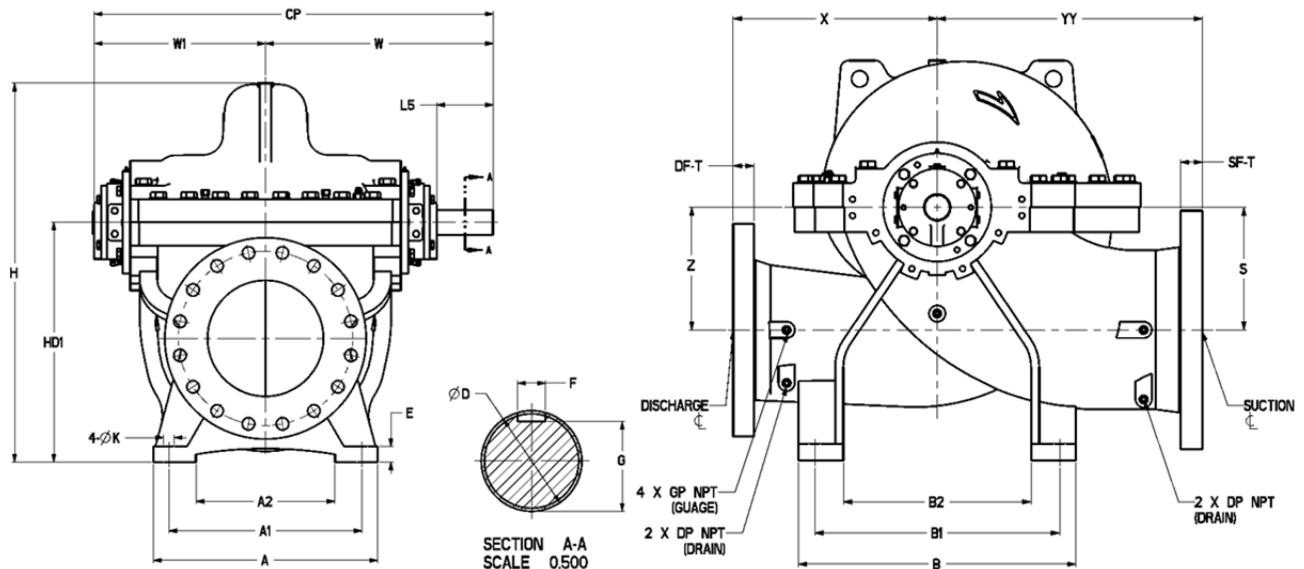
Imp. Size	3X5X11		Imp. Size	3X5X13.5		Imp. Size	4X6X10	
	3X5X10.5			3X5X13			4X6X9.5	
Metric Size	80-285		Metric Size	80-345		Metric Size	100-260	
	80-270			80-330			100-250	
Dimension	Value (in.)	Value (mm)	Dimension	Value (in.)	Value (mm)	Dimension	Value (in.)	Value (mm)
YY	13.78	350	YY	14.96	380	YY	13.78	350
X	11.81	300	X	13.78	350	X	12.99	330
H	20.47	520	H	21.26	540	H	21.85	555
HD1	12.6	320	HD1	12.6	320	HD1	13.78	350
Z	6.3	160	Z	6.3	160	Z	6.69	170
S	6.3	160	S	6.3	160	S	6.69	170
B	13.78	350	B	13.78	350	B	13.78	350
B1	11.81	300	B1	11.81	300	B1	11.81	300
B2	8.27	210	B2	8.27	210	B2	8.27	210
W1	11.5	292	W1	11.5	292	W1	11.5	292
W2	14.76	375	W2	14.76	375	W2	14.76	375
CP	26.26	667	CP	26.26	667	CP	26.26	667
L5	3.15	80	L5	3.15	80	L5	3.15	80
D	1.38	35	D	1.38	35	D	1.38	35
A	13.78	350	A	13.78	350	A	13.78	350
A1	11.81	300	A1	11.81	300	A1	11.81	300
A2	8.27	210	A2	8.27	210	A2	8.27	210
E	1.18	30	E	1.18	30	E	1.18	30
K	0.73	18.5	K	0.73	18.5	K	0.73	18.5
G	1.18	30	G	1.18	30	G	1.18	30
F	0.39	10	F	0.39	10	F	0.39	10
DP	1/2 NPT	1/2 BSPT	DP	1/2 NPT	1/2 BSPT	DP	1/2 NPT	1/2 BSPT
GP	1/2 NPT	1/2 BSPT	GP	1/2 NPT	1/2 BSPT	GP	1/2 NPT	1/2 BSPT
Weight	(lb.)	(kg)	Weight	(lb.)	(kg)	Weight	(lb.)	(kg)
	662	300		650	295		617	280



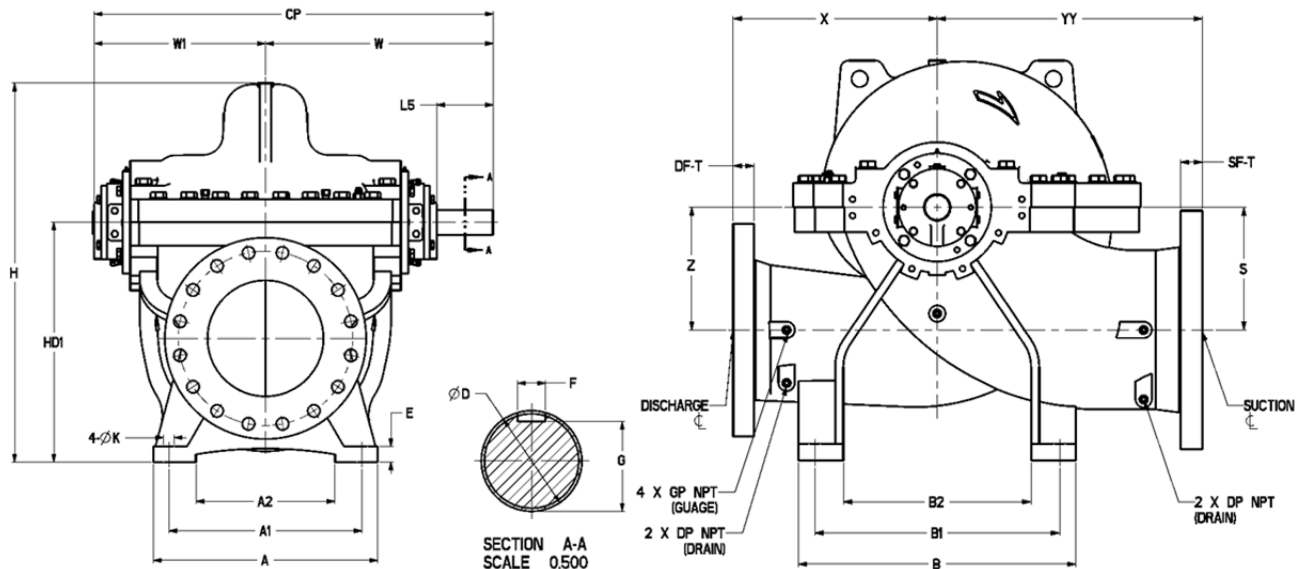
Imp. Size	4X6X13		Imp. Size	4X6X16		Imp. Size	5X6X9	
	4X6X12			4X6X15.5			5X6X8.5	
Metric Size	100-325		Metric Size	100-410		Metric Size	125-225	
	100-310			100-390			125-215	
Dimension	Value (in.)	Value (mm)	Dimension	Value (in.)	Value (mm)	Dimension	Value (in.)	Value (mm)
YY	15.75	400	YY	16.93	430	YY	14.17	360
X	13.78	350	X	15.75	400	X	11.81	300
H	22.44	570	H	23.82	605	H	21.46	545
HD1	13.78	350	HD1	13.78	350	HD1	13.78	350
Z	6.69	170	Z	6.69	170	Z	6.69	170
S	6.69	170	S	6.69	170	S	6.69	170
B	13.78	350	B	18.5	470	B	13.78	350
B1	11.81	300	B1	15.75	400	B1	11.81	300
B2	8.27	210	B2	11.42	290	B2	8.27	210
W1	11.34	288	W1	11.5	292	W1	11.5	292
W2	15.94	405	W2	14.76	375	W2	14.76	375
CP	27.28	693	CP	26.26	667	CP	26.26	667
L5	4.33	110	L5	3.15	80	L5	3.15	80
D	1.77	45	D	1.38	35	D	1.38	35
A	13.78	350	A	16.54	420	A	13.78	350
A1	11.81	300	A1	13.78	350	A1	11.81	300
A2	8.27	210	A2	9.45	240	A2	8.27	210
E	1.18	30	E	1.38	35	E	1.18	30
K	0.73	18.5	K	0.94	24	K	0.73	18.5
G	1.56	39.5	G	1.18	30	G	1.18	30
F	0.55	14	F	0.39	10	F	0.39	10
DP	1/2 NPT	1/2 BSPT	DP	1/2 NPT	1/2 BSPT	DP	1/2 NPT	1/2 BSPT
GP	1/2 NPT	1/2 BSPT	GP	1/2 NPT	1/2 BSPT	GP	1/2 NPT	1/2 BSPT
Weight	(lb.)	(kg)	Weight	(lb.)	(kg)	Weight	(lb.)	(kg)
	662	300		783	355		662	300



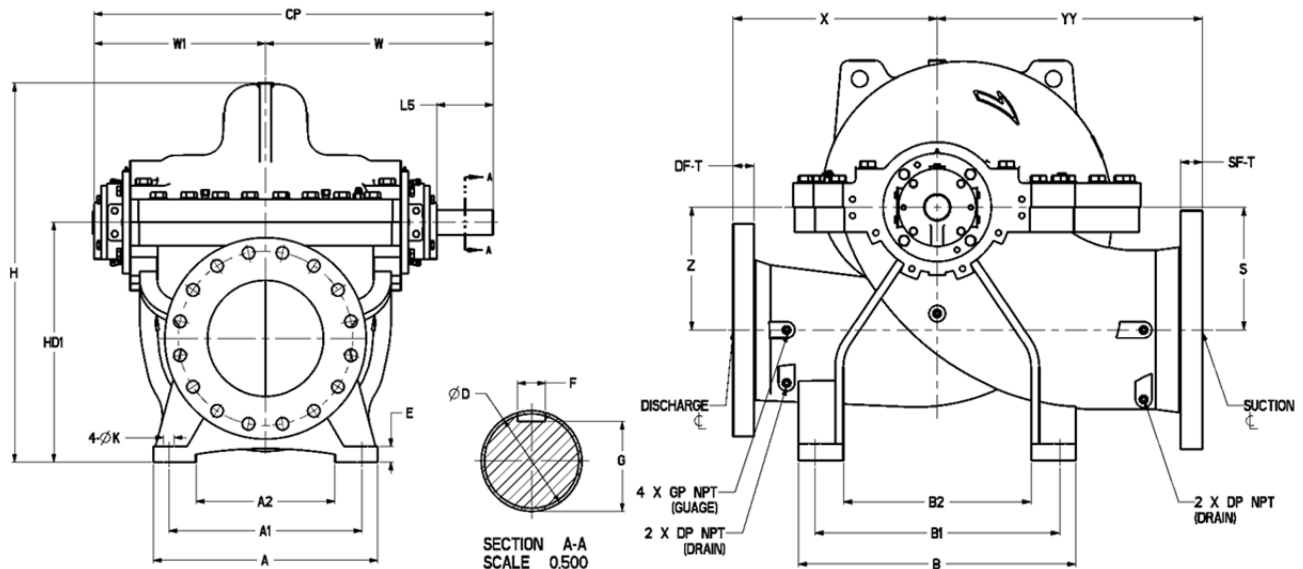
Imp. Size	5X8X9.5		Imp. Size	5X8X12		Imp. Size	5X8X15.5	
	5X8X9			5X8X11			5X8X14.5	
Metric Size	125-245		Metric Size	125-300		Metric Size	125-390	
	125-235			125-285			125-370	
Dimension	Value (in.)	Value (mm)	Dimension	Value (in.)	Value (mm)	Dimension	Value (in.)	Value (mm)
YY	15.75	400	YY	15.75	400	YY	17.72	450
X	13.78	350	X	13.78	350	X	15.75	400
H	24.8	630	H	25	635	H	26.77	680
HD1	16.54	420	HD1	16.54	420	HD1	16.54	420
Z	7.87	200	Z	7.87	200	Z	7.87	200
S	7.87	200	S	7.87	200	S	7.87	200
B	18.5	470	B	18.5	470	B	18.5	470
B1	15.75	400	B1	15.75	400	B1	15.75	400
B2	11.42	290	B2	11.42	290	B2	11.42	290
W1	13.11	333	W1	13.11	333	W1	13.11	333
W2	17.72	450	W2	17.72	450	W2	17.72	450
CP	30.83	783	CP	30.83	783	CP	30.83	783
L5	4.33	110	L5	4.33	110	L5	4.33	110
D	1.77	45	D	1.77	45	D	1.77	45
A	16.54	420	A	16.54	420	A	16.54	420
A1	13.78	350	A1	13.78	350	A1	13.78	350
A2	9.45	240	A2	9.45	240	A2	9.45	240
E	1.38	35	E	1.38	35	E	1.38	35
K	0.94	24	K	0.94	24	K	0.94	24
G	1.56	39.5	G	1.56	39.5	G	1.56	39.5
F	0.55	14	F	0.55	14	F	0.55	14
DP	1/2 NPT	1/2 BSPT	DP	1/2 NPT	1/2 BSPT	DP	1/2 NPT	1/2 BSPT
GP	1/2 NPT	1/2 BSPT	GP	1/2 NPT	1/2 BSPT	GP	1/2 NPT	1/2 BSPT
Weight	(lb.)	(kg)	Weight	(lb.)	(kg)	Weight	(lb.)	(kg)
	750	340		858	390		860	390



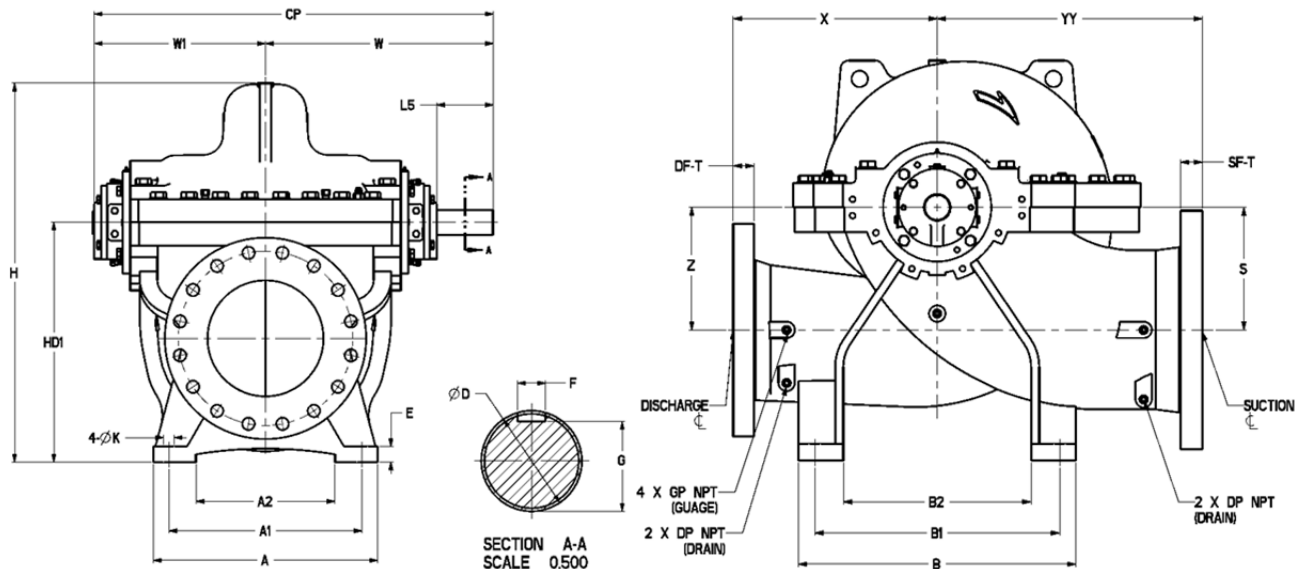
Imp. Size	5X8X19		Imp. Size	6X8X6.5		Imp. Size	6X8X12	
	5X8X18			6X8X6			6X8X11	
Metric Size	125-475		Metric Size	150-170		Metric Size	150-300	
	125-450			150-160			150-285	
Dimension	Value (in.)	Value (mm)	Dimension	Value (in.)	Value (mm)	Dimension	Value (in.)	Value (mm)
YY	19.69	500	YY	15.75	400	YY	17.72	450
X	17.72	450	X	15.75	400	X	15.75	400
H	28.35	720	H	22.64	575	H	27.17	690
HD1	16.54	420	HD1	14.96	380	HD1	17.72	450
Z	7.87	200	Z	6.3	160	Z	9.06	230
S	7.87	200	S	6.3	160	S	9.06	230
B	20.47	520	B	18.5	470	B	18.5	470
B1	17.72	450	B1	15.75	400	B1	15.75	400
B2	13.39	340	B2	11.42	290	B2	11.42	290
W1	13.11	333	W1	11.5	292	W1	14.49	368
W2	17.72	450	W2	14.76	375	W2	19.09	485
CP	30.83	783	CP	26.26	667	CP	33.58	853
L5	4.33	110	L5	3.15	80	L5	4.33	110
D	1.77	45	D	1.38	35	D	1.77	45
A	20.47	520	A	16.54	420	A	16.54	420
A1	17.72	450	A1	13.78	350	A1	13.78	350
A2	13.39	340	A2	9.45	240	A2	9.45	240
E	1.38	35	E	1.38	35	E	1.38	35
K	0.94	24	K	0.94	24	K	0.94	24
G	1.56	39.5	G	1.18	30	G	1.56	39.5
F	0.55	14	F	0.39	10	F	0.55	14
DP	1/2 NPT	1/2 BSPT	DP	1/2 NPT	1/2 BSPT	DP	1/2 NPT	1/2 BSPT
GP	1/2 NPT	1/2 BSPT	GP	1/2 NPT	1/2 BSPT	GP	1/2 NPT	1/2 BSPT
Weight	(lb.)	(kg)	Weight	(lb.)	(kg)	Weight	(lb.)	(kg)
	948	430		617	280		636	380



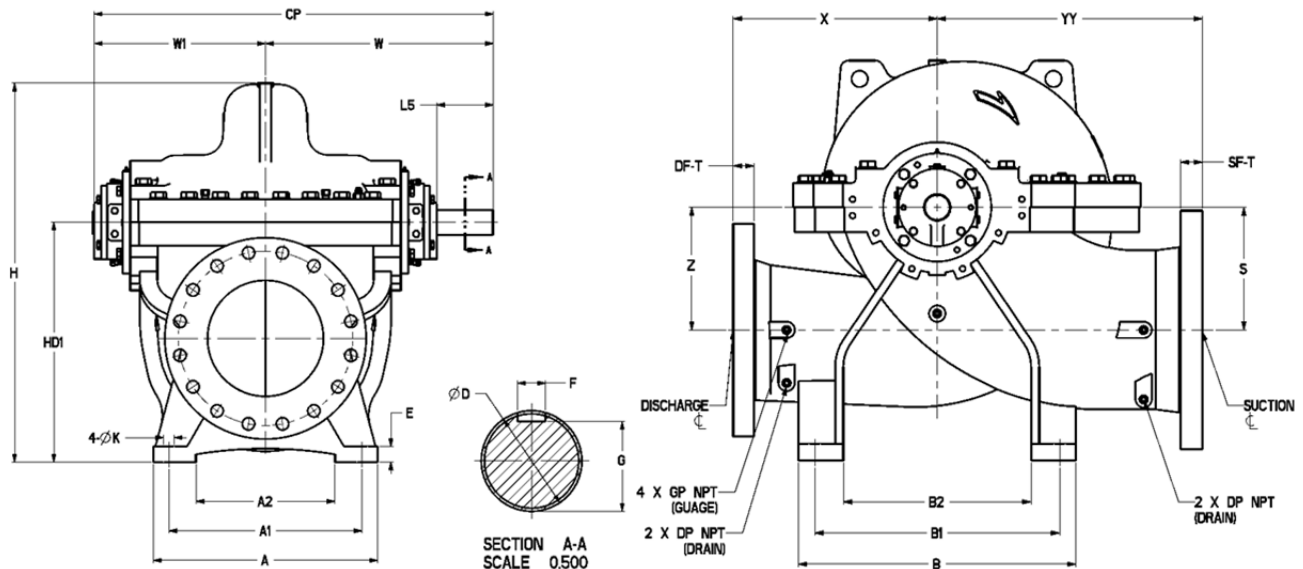
Imp. Size	6X8X14		Imp. Size	6X8X18		Imp. Size	6X8X22	
	6X8X13.5			6X8X17			6X8X21	
Metric Size	150-355		Metric Size	150-455		Metric Size	150-560	
	150-340			150-435			150-535	
Dimension	Value (in.)	Value (mm)	Dimension	Value (in.)	Value (mm)	Dimension	Value (in.)	Value (mm)
YY	17.72	450	YY	19.69	500	YY	23.62	600
X	15.75	400	X	17.72	450	X	19.69	500
H	28.15	715	H	29.53	750	H	34.65	880
HD1	17.72	450	HD1	17.72	450	HD1	20.47	520
Z	9.06	230	Z	9.06	230	Z	11.81	300
S	9.06	230	S	9.06	230	S	11.81	300
B	18.5	470	B	18.5	470	B	26.77	680
B1	15.75	400	B1	15.75	400	B1	23.62	600
B2	11.42	290	B2	11.42	290	B2	18.11	460
W1	14.49	368	W1	14.84	377	W1	16.46	418
W2	19.09	485	W2	19.49	495	W2	22.24	565
CP	33.58	853	CP	34.33	872	CP	38.7	983
L5	4.33	110	L5	4.33	110	L5	5.51	140
D	1.77	45	D	2.17	55	D	2.56	65
A	16.54	420	A	16.54	420	A	22.83	580
A1	13.78	350	A1	13.78	350	A1	19.69	500
A2	9.45	240	A2	9.45	240	A2	14.17	360
E	1.38	35	E	1.38	35	E	1.57	40
K	0.94	24	K	0.94	24	K	1.1	28
G	1.56	39.5	G	1.93	49	G	2.28	58
F	0.55	14	F	0.63	16	F	0.71	18
DP	1/2 NPT	1/2 BSPT	DP	1/2 NPT	1/2 BSPT	DP	1/2 NPT	1/2 BSPT
GP	1/2 NPT	1/2 BSPT	GP	1/2 NPT	1/2 BSPT	GP	1/2 NPT	1/2 BSPT
Weight	(lb.)	(kg)	Weight	(lb.)	(kg)	Weight	(lb.)	(kg)
	904	410		1061	480		1808	820



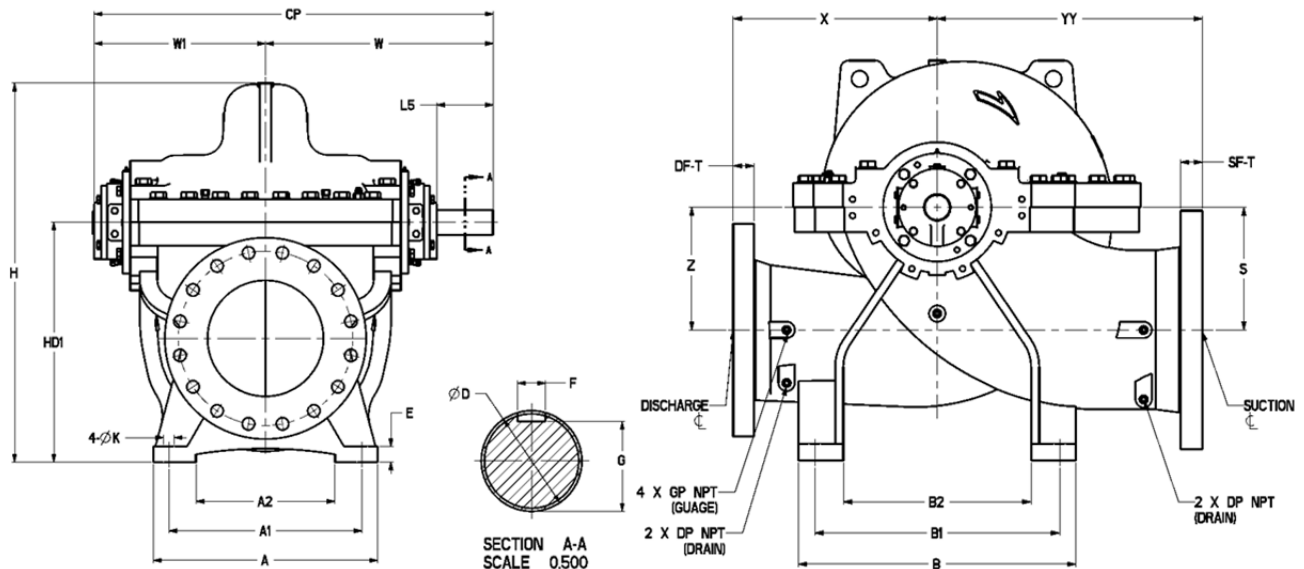
Imp. Size	6X10X11		Imp. Size	8X8X8		Imp. Size	8X10X10	
	6X10X10.5			8X8X7.5			8X10X9.5	
Metric Size	150-280		Metric Size	200-200		Metric Size	200-250	
	150-265			200-190			200-235	
Dimension	Value (in.)	Value (mm)	Dimension	Value (in.)	Value (mm)	Dimension	Value (in.)	Value (mm)
YY	17.72	450	YY	17.72	450	YY	19.69	500
X	15.75	400	X	15.75	400	X	15.75	400
H	28.15	715	H	25.39	645	H	29.53	750
HD1	18.9	480	HD1	16.54	420	HD1	18.9	480
Z	9.06	230	Z	7.87	200	Z	9.06	230
S	9.06	230	S	7.87	200	S	9.06	230
B	20.47	520	B	18.5	470	B	20.47	520
B1	17.72	450	B1	15.75	400	B1	17.72	450
B2	13.39	340	B2	11.42	290	B2	13.39	340
W1	14.84	377	W1	12.68	322	W1	14.49	368
W2	19.49	495	W2	15.94	405	W2	19.09	485
CP	34.33	872	CP	28.62	727	CP	33.58	853
L5	4.33	110	L5	3.15	80	L5	4.33	110
D	2.17	55	D	1.38	35	D	1.77	45
A	20.47	520	A	16.54	420	A	20.47	520
A1	17.72	450	A1	13.78	350	A1	17.72	450
A2	13.39	340	A2	9.45	240	A2	13.39	340
E	1.38	35	E	1.38	35	E	1.38	35
K	0.94	24	K	0.94	24	K	0.94	24
G	1.93	49	G	1.18	30	G	1.16	29.5
F	0.63	16	F	0.39	10	F	0.55	14
DP	1/2 NPT	1/2 BSPT	DP	1/2 NPT	1/2 BSPT	DP	1/2 NPT	1/2 BSPT
GP	1/2 NPT	1/2 BSPT	GP	1/2 NPT	1/2 BSPT	GP	1/2 NPT	1/2 BSPT
Weight	(lb.)	(kg)	Weight	(lb.)	(kg)	Weight	(lb.)	(kg)
	902	410		849	385		1235	560



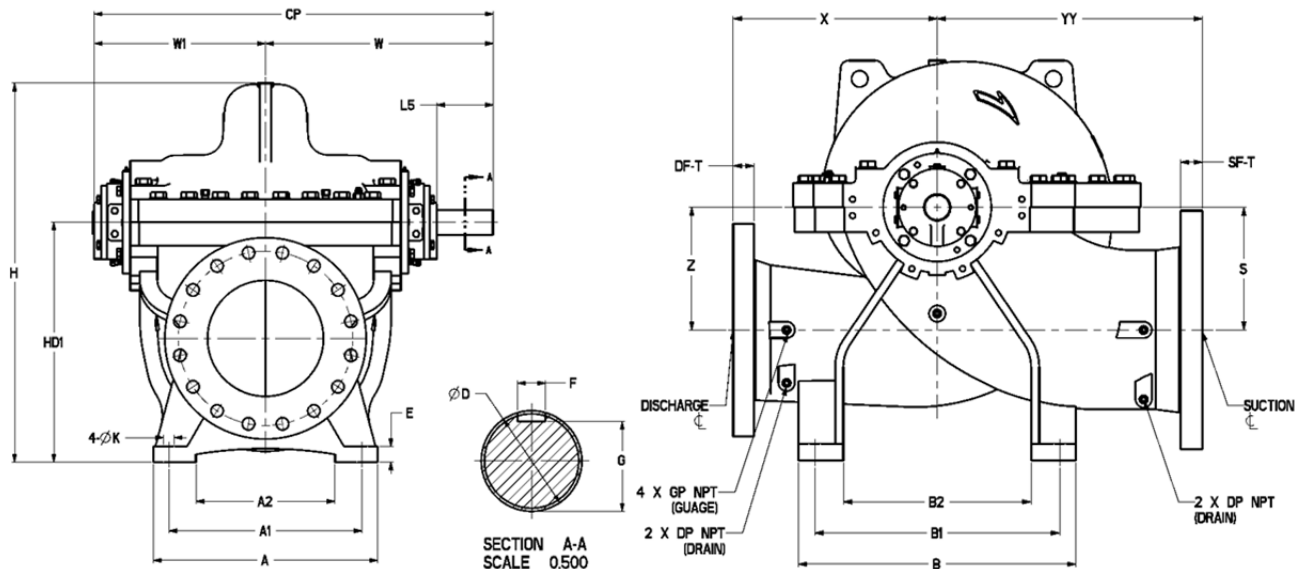
Imp. Size	8X10X13.5		Imp. Size	8X10X17		Imp. Size	8X10X21	
	8X10X13			8X10X16			8X10X20	
Metric Size	200-345		Metric Size	200-425		Metric Size	200-530	
	200-330			200-405			200-505	
Dimension	Value (in.)	Value (mm)	Dimension	Value (in.)	Value (mm)	Dimension	Value (in.)	Value (mm)
YY	19.69	500	YY	21.65	550	YY	21.65	550
X	15.75	400	X	19.69	500	X	19.69	500
H	31.5	800	H	32.87	835	H	35.83	910
HD1	20.47	520	HD1	20.47	520	HD1	21.65	550
Z	10.63	270	Z	10.63	270	Z	11.81	300
S	10.63	270	S	10.63	270	S	11.81	300
B	20.47	520	B	20.47	520	B	26.77	680
B1	17.72	450	B1	17.72	450	B1	23.62	600
B2	13.39	340	B2	13.39	340	B2	18.11	460
W1	14.84	377	W1	17.01	432	W1	16.46	418
W2	19.49	495	W2	21.65	550	W2	22.24	565
CP	34.33	872	CP	38.66	982	CP	38.7	983
L5	4.33	110	L5	4.33	110	L5	5.51	140
D	2.17	55	D	2.17	55	D	2.56	65
A	20.47	520	A	20.47	520	A	22.83	580
A1	17.72	450	A1	17.72	450	A1	19.69	500
A2	13.39	340	A2	13.39	340	A2	14.17	360
E	1.38	35	E	1.38	35	E	1.57	40
K	0.94	24	K	0.94	24	K	1.1	28
G	1.93	49	G	1.93	49	G	2.28	58
F	0.63	16	F	0.63	16	F	0.71	18
DP	1/2 NPT	1/2 BSPT	DP	1/2 NPT	1/2 BSPT	DP	1/2 NPT	1/2 BSPT
GP	1/2 NPT	1/2 BSPT	GP	1/2 NPT	1/2 BSPT	GP	1/2 NPT	1/2 BSPT
Weight	(lb.)	(kg)	Weight	(lb.)	(kg)	Weight	(lb.)	(kg)
	1081	490		1433	650		1918	870



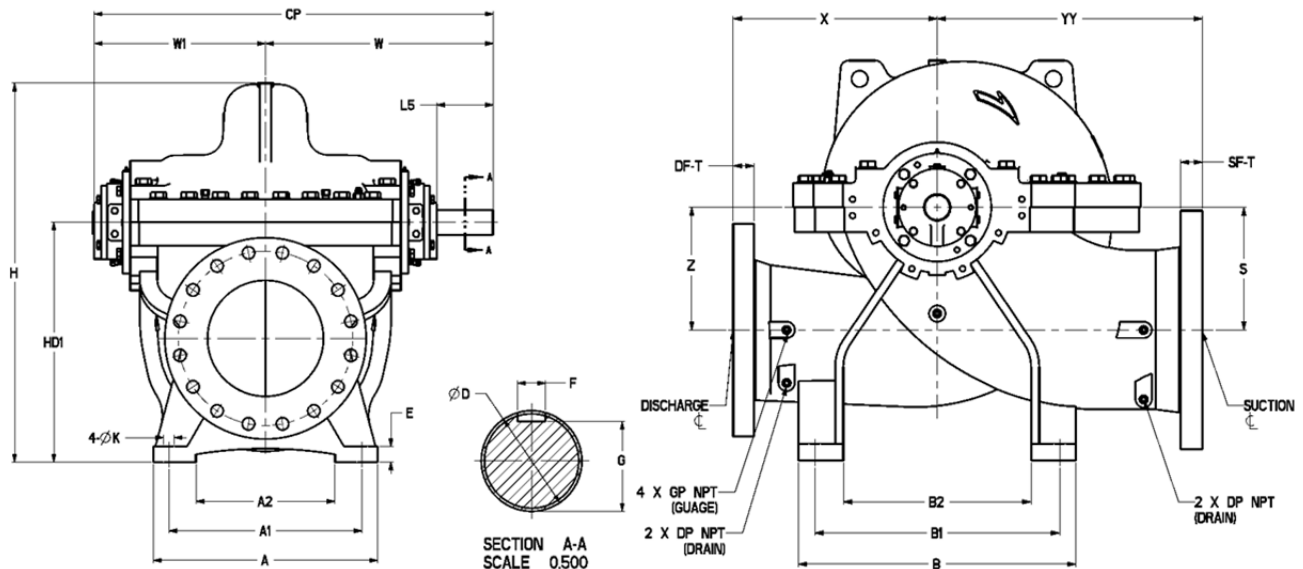
Imp. Size	8X10X26		Imp. Size	10X10X8		Imp. Size	10X12X15.5	
	8X10X25			10X10X7.5			10X12X14.5	
Metric Size	200-655		Metric Size	250-200		Metric Size	250-390	
	200-625			250-190			250-370	
Dimension	Value (in.)	Value (mm)	Dimension	Value (in.)	Value (mm)	Dimension	Value (in.)	Value (mm)
YY	25.59	650	YY	19.69	500	YY	21.65	550
X	23.62	600	X	17.72	450	X	19.69	500
H	41.34	1050	H	28.94	735	H	35.04	890
HD1	24.41	620	HD1	18.9	480	HD1	22.83	580
Z	13.78	350	Z	8.66	220	Z	11.81	300
S	13.78	350	S	8.66	220	S	11.81	300
B	26.77	680	B	20.47	520	B	26.77	680
B1	23.62	600	B1	17.72	450	B1	23.62	600
B2	18.11	460	B2	13.39	340	B2	18.11	460
W1	16.61	422	W1	13.66	347	W1	17.44	443
W2	22.24	565	W2	16.93	430	W2	23.23	590
CP	38.86	987	CP	30.59	777	CP	40.67	1033
L5	5.51	140	L5	3.15	80	L5	5.51	140
D	2.95	75	D	1.38	35	D	2.56	65
A	22.83	580	A	20.47	520	A	22.83	580
A1	19.69	500	A1	17.72	450	A1	19.69	500
A2	14.17	360	A2	13.39	340	A2	14.17	360
E	1.57	40	E	1.38	35	E	1.57	40
K	1.1	28	K	0.94	24	K	1.1	28
G	2.66	67.5	G	1.18	30	G	2.28	58
F	0.79	20	F	0.39	10	F	0.71	18
DP	1/2 NPT	1/2 BSPT	DP	1/2 NPT	1/2 BSPT	DP	1/2 NPT	1/2 BSPT
GP	1/2 NPT	1/2 BSPT	GP	1/2 NPT	1/2 BSPT	GP	1/2 NPT	1/2 BSPT
Weight	(lb.)	(kg)	Weight	(lb.)	(kg)	Weight	(lb.)	(kg)
	2535	1150		838	380		1654	750



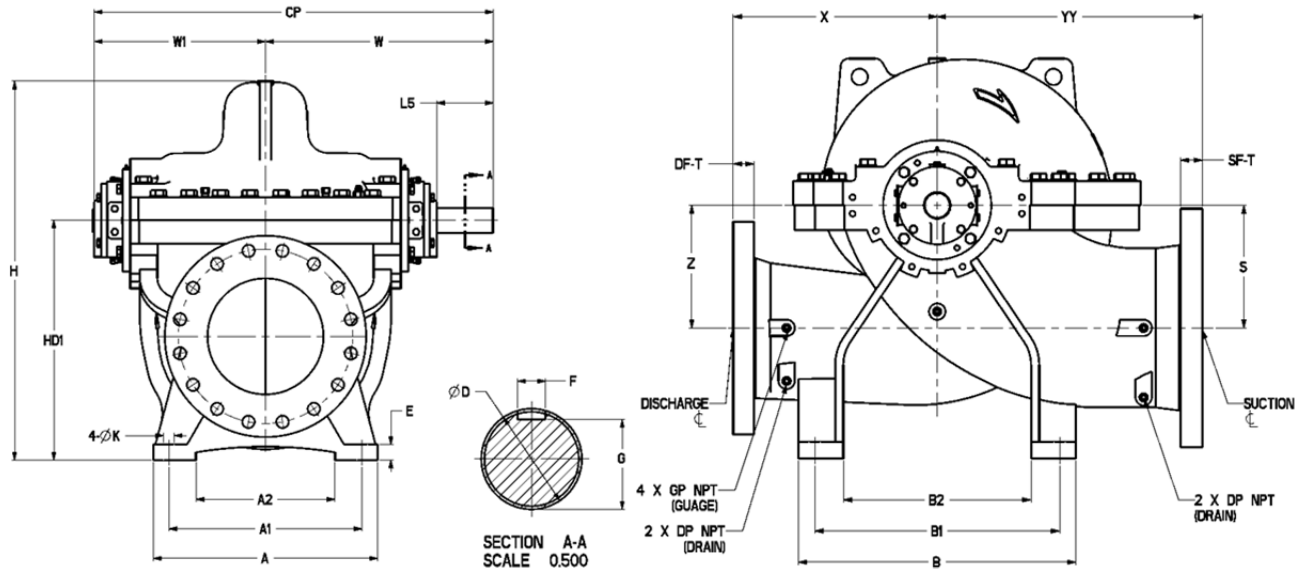
Imp. Size	10X12X19		Imp. Size	10X12X24		Imp. Size	12X12X9	
	10X12X18			10X12X23			12X12X8.5	
Metric Size	250-480		Metric Size	250-610		Metric Size	300-225	
	250-455			250-580			300-215	
Dimension	Value (in.)	Value (mm)	Dimension	Value (in.)	Value (mm)	Dimension	Value (in.)	Value (mm)
YY	23.62	600	YY	25.59	650	YY	21.65	550
X	21.65	550	X	21.65	550	X	17.72	450
H	37.6	955	H	40.94	1040	H	33.46	850
HD1	22.83	580	HD1	24.8	630	HD1	21.65	550
Z	11.81	300	Z	13.78	350	Z	10.63	270
S	11.81	300	S	13.78	350	S	10.63	270
B	26.77	680	B	26.77	680	B	20.47	520
B1	23.62	600	B1	23.62	600	B1	17.72	450
B2	18.11	460	B2	18.11	460	B2	13.39	340
W1	19.02	483	W1	18.94	481	W1	16.85	428
W2	24.8	630	W2	25.98	660	W2	21.46	545
CP	43.82	1113	CP	44.92	1141	CP	38.31	973
L5	5.51	140	L5	6.69	170	L5	4.33	110
D	2.56	65	D	3.35	85	D	1.77	45
A	22.83	580	A	22.83	580	A	20.47	520
A1	19.69	500	A1	19.69	500	A1	17.72	450
A2	14.17	360	A2	14.17	360	A2	13.39	340
E	1.57	40	E	1.57	40	E	1.38	35
K	1.1	28	K	1.1	28	K	0.94	24
G	2.28	58	G	2.99	76	G	1.56	39.5
F	0.71	18	F	0.87	22	F	0.55	14
DP	1/2 NPT	1/2 BSPT	DP	1/2 NPT	1/2 BSPT	DP	1/2 NPT	1/2 BSPT
GP	1/2 NPT	1/2 BSPT	GP	1/2 NPT	1/2 BSPT	GP	1/2 NPT	1/2 BSPT
Weight	(lb.)	(kg)	Weight	(lb.)	(kg)	Weight	(lb.)	(kg)
	1941	880		2536	1150		1720	780



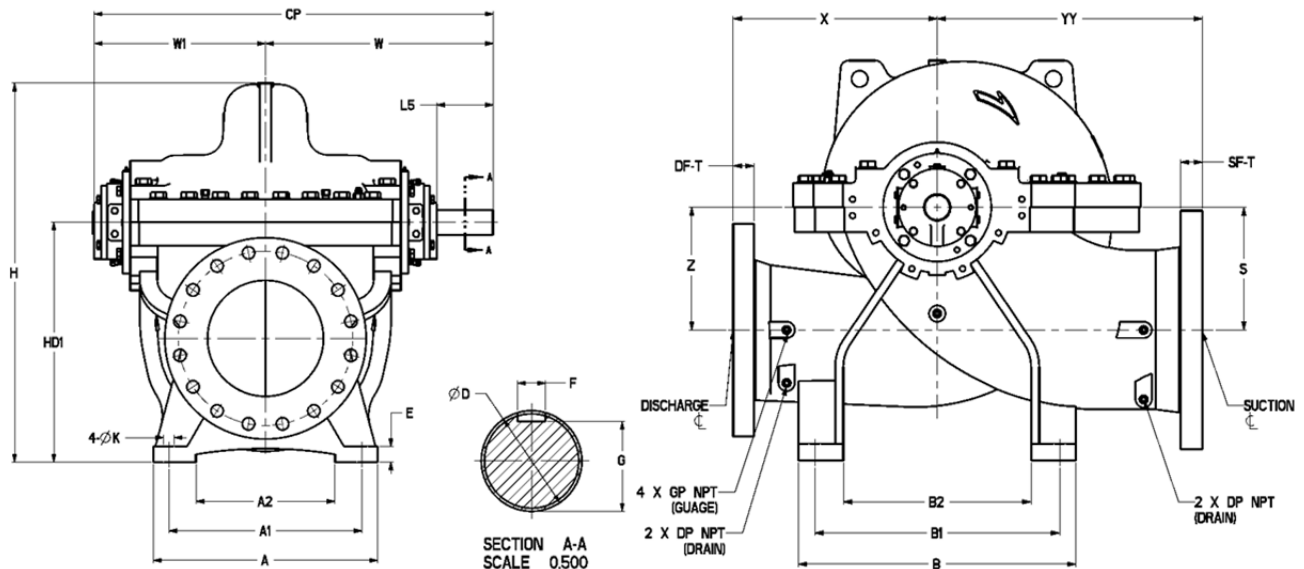
Imp. Size	12X12X10		Imp. Size	12X14X13		Imp. Size	12X16X18	
	12X12X9.5			12X14X12.5			12X16X17	
Metric Size	300-255		Metric Size	300-330		Metric Size	300-450	
	300-245			300-315			300-430	
Dimension	Value (in.)	Value (mm)	Dimension	Value (in.)	Value (mm)	Dimension	Value (in.)	Value (mm)
YY	23.62	600	YY	25.59	650	YY	25.59	650
X	19.69	500	X	19.69	500	X	23.62	600
H	33.86	860	H	40.35	1025	H	41.73	1060
HD1	21.65	550	HD1	24.41	620	HD1	27.56	700
Z	10.63	270	Z	11.81	300	Z	13.78	350
S	10.63	270	S	11.81	300	S	13.78	350
B	20.47	520	B	26.77	680	B	30.71	780
B1	17.72	450	B1	23.62	600	B1	27.56	700
B2	13.39	340	B2	18.11	460	B2	20.47	520
W1	15.28	388	W1	17.44	443	W1	18.39	467
W2	19.88	505	W2	23.23	590	W2	24.02	610
CP	35.16	893	CP	40.67	1033	CP	42.4	1077
L5	4.33	110	L5	5.51	140	L5	5.51	140
D	1.77	45	D	2.56	65	D	2.95	75
A	20.47	520	A	22.83	580	A	24.8	630
A1	17.72	450	A1	19.69	500	A1	21.65	550
A2	13.39	340	A2	14.17	360	A2	15.35	390
E	1.38	35	E	1.57	40	E	1.57	40
K	0.94	24	K	1.1	28	K	1.1	28
G	1.56	39.5	G	2.28	58	G	2.66	67.5
F	0.55	14	F	0.71	18	F	0.79	20
DP	1/2 NPT	1/2 BSPT	DP	1/2 NPT	1/2 BSPT	DP	1/2 NPT	1/2 BSPT
GP	1/2 NPT	1/2 BSPT	GP	1/2 NPT	1/2 BSPT	GP	1/2 NPT	1/2 BSPT
Weight	(lb.)	(kg)	Weight	(lb.)	(kg)	Weight	(lb.)	(kg)
	1672	760		2095	950		2156	980



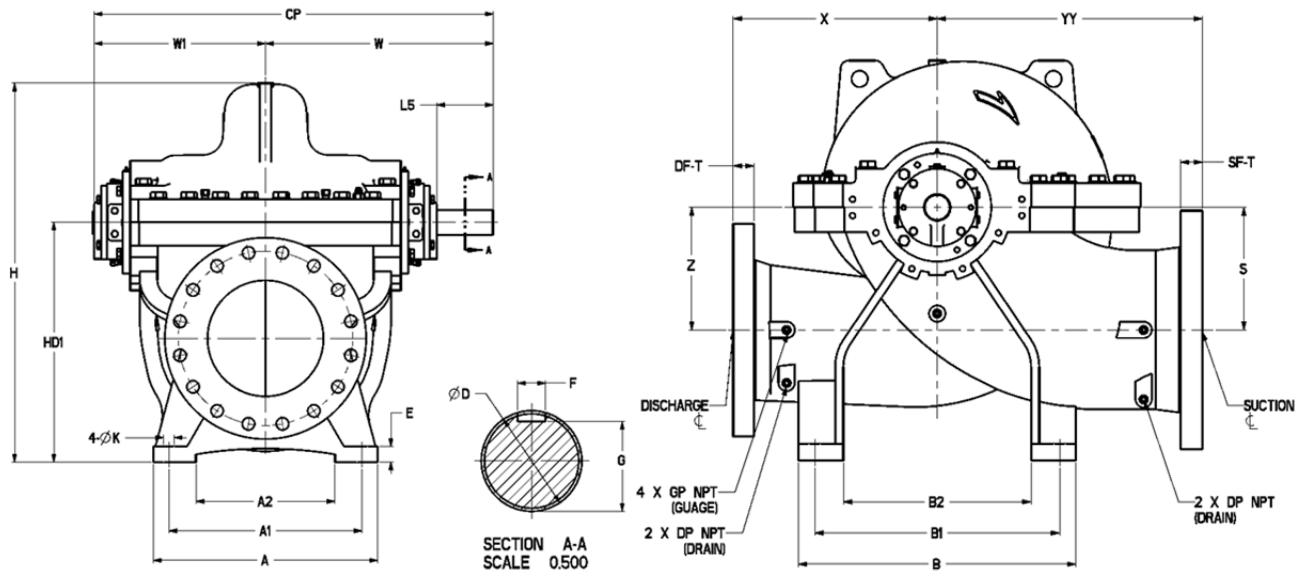
Imp. Size	12X16X22		Imp. Size	12X16X28		Imp. Size	14X14X12	
	12X16X21			12X16X27			14X14X11	
Metric Size	300-550		Metric Size	300-705		Metric Size	350-300	
	300-525			300-670			350-285	
Dimension	Value (in.)	Value (mm)	Dimension	Value (in.)	Value (mm)	Dimension	Value (in.)	Value (mm)
YY	25.59	650	YY	31.5	800	YY	25.59	650
X	23.62	600	X	25.59	650	X	19.69	500
H	43.5	1105	H	48.62	1235	H	38.19	970
HD1	27.56	700	HD1	29.53	750	HD1	24.41	620
Z	13.78	350	Z	15.75	400	Z	11.81	300
S	13.78	350	S	15.75	400	S	11.81	300
B	30.71	780	B	35.83	910	B	26.77	680
B1	27.56	700	B1	31.5	800	B1	23.62	600
B2	20.47	520	B2	23.23	590	B2	18.11	460
W1	21.69	551	W1	20.55	522	W1	16.85	428
W2	28.74	730	W2	27.56	700	W2	21.46	545
CP	50.43	1281	CP	48.11	1222	CP	38.31	973
L5	6.69	170	L5	6.69	170	L5	4.33	110
D	3.35	85	D	3.74	95	D	1.77	45
A	24.8	630	A	29.92	760	A	22.83	580
A1	21.65	550	A1	25.59	650	A1	19.69	500
A2	15.35	390	A2	18.9	480	A2	14.17	360
E	1.57	40	E	1.77	45	E	1.57	40
K	1.1	28	K	1.38	35	K	1.1	28
G	2.99	76	G	3.39	86	G	1.56	39.5
F	0.87	22	F	0.98	25	F	0.55	14
DP	1/2 NPT	1/2 BSPT	DP	1/2 NPT	1/2 BSPT	DP	1/2 NPT	1/2 BSPT
GP	1/2 NPT	1/2 BSPT	GP	1/2 NPT	1/2 BSPT	GP	1/2 NPT	1/2 BSPT
Weight	(lb.)	(kg)	Weight	(lb.)	(kg)	Weight	(lb.)	(kg)
	2977	1350		2977	1350		2095	950



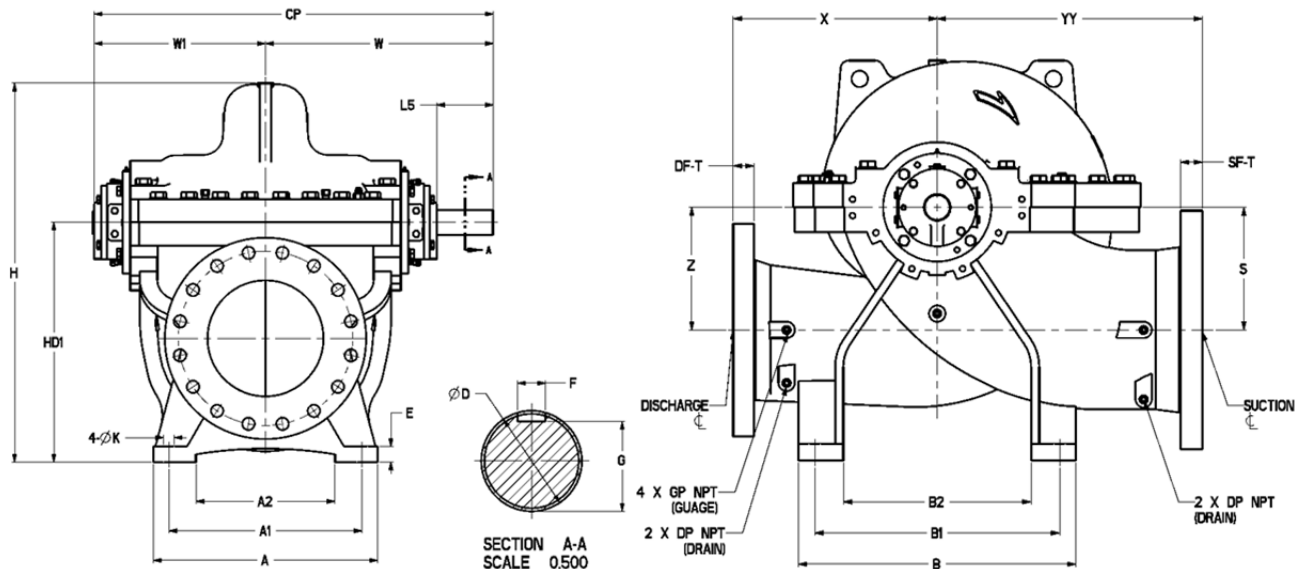
Imp. Size	14X16X15		Imp. Size	14X16X27.5		Imp. Size	14X18X18	
	14X16X14.5			14X16X26			14X18X17	
Metric Size	350-385		Metric Size	350-690		Metric Size	350-450	
	350-365			350-655			350-430	
Dimension	Value (in.)	Value (mm)	Dimension	Value (in.)	Value (mm)	Dimension	Value (in.)	Value (mm)
YY	27.56	700	YY	35.43	900	YY	31.5	800
X	21.65	550	X	29.53	750	X	25.59	650
H	43.5	1105	H	53.74	1365	H	43.5	1105
HD1	27.56	700	HD1	33.07	840	HD1	30.71	780
Z	13.78	350	Z	18.9	480	Z	15.75	400
S	13.78	350	S	18.9	480	S	15.75	400
B	30.71	780	B	43.31	1100	B	35.83	910
B1	27.56	700	B1	39.37	1000	B1	31.5	800
B2	20.47	520	B2	29.53	750	B2	23.23	590
W1	18.39	467	W1	22.32	567	W1	21.69	551
W2	24.02	610	W2	30.91	785	W2	28.74	730
CP	42.4	1077	CP	53.23	1352	CP	50.43	1281
L5	5.51	140	L5	8.27	210	L5	6.69	170
D	2.95	75	D	4.13	105	D	3.35	85
A	24.8	630	A	33.86	860	A	29.92	760
A1	21.65	550	A1	29.53	750	A1	25.59	650
A2	15.35	390	A2	21.26	540	A2	18.9	480
E	1.57	40	E	1.77	45	E	1.77	45
K	1.1	28	K	1.38	35	K	1.38	35
G	2.66	67.5	G	3.74	95	G	2.99	76
F	0.79	20	F	1.1	28	F	0.87	22
DP	1/2 NPT	1/2 BSPT	DP	1/2 NPT	1/2 BSPT	DP	1/2 NPT	1/2 BSPT
GP	1/2 NPT	1/2 BSPT	GP	1/2 NPT	1/2 BSPT	GP	1/2 NPT	1/2 BSPT
Weight	(lb.)	(kg)	Weight	(lb.)	(kg)	Weight	(lb.)	(kg)
	2715	1230		4849	2200		3572	1620



Imp. Size	14X18X21		Imp. Size	16X16X13.5		Imp. Size	16X20X20.5	
	14X18X20			16X16X13			16X20X19.5	
Metric Size	350-530		Metric Size	400-340		Metric Size	400-525	
	350-505			400-325			400-500	
Dimension	Value (in.)	Value (mm)	Dimension	Value (in.)	Value (mm)	Dimension	Value (in.)	Value (mm)
YY	27.56	700	YY	29.53	750	YY	31.5	800
X	25.59	650	X	23.62	600	X	27.56	700
H	47.44	1205	H	43.31	1100	H	55.71	1415
HD1	30.71	780	HD1	27.56	700	HD1	35.43	900
Z	15.75	400	Z	13.78	350	Z	18.9	480
S	15.75	400	S	13.78	350	S	18.9	480
B	35.83	910	B	30.71	780	B	35.83	910
B1	31.5	800	B1	27.56	700	B1	31.5	800
B2	23.23	590	B2	20.47	520	B2	23.23	590
W1	21.69	551	W1	19.37	492	W1	24.29	617
W2	28.74	730	W2	24.02	610	W2	31.3	795
CP	50.43	1281	CP	43.39	1102	CP	55.59	1412
L5	6.69	170	L5	4.33	110	L5	6.69	170
D	3.35	85	D	2.17	55	D	3.74	95
A	29.92	760	A	24.8	630	A	29.92	760
A1	25.59	650	A1	21.65	550	A1	25.59	650
A2	18.9	480	A2	15.35	390	A2	18.9	480
E	1.77	45	E	1.57	40	E	1.77	45
K	1.38	35	K	1.1	28	K	1.38	35
G	2.99	76	G	1.93	49	G	3.39	86
F	0.87	22	F	0.63	16	F	0.98	25
DP	1/2 NPT	1/2 BSPT	DP	1/2 NPT	1/2 BSPT	DP	1/2 NPT	1/2 BSPT
GP	1/2 NPT	1/2 BSPT	GP	1/2 NPT	1/2 BSPT	GP	1/2 NPT	1/2 BSPT
Weight	(lb.)	(kg)	Weight	(lb.)	(kg)	Weight	(lb.)	(kg)
	3418	1550		2712	1230		4518	2050



Imp. Size	16X20X23		Imp. Size	18X20X15.5		Imp. Size	20X24X18	
	16X20X22			18X20X14.5			20X24X17	
Metric Size	400-580		Metric Size	450-390		Metric Size	500-450	
	400-550			450-370			500-430	
Dimension	Value (in.)	Value (mm)	Dimension	Value (in.)	Value (mm)	Dimension	Value (in.)	Value (mm)
YY	31.5	800	YY	33.46	850	YY	39.37	1000
X	27.56	700	X	25.59	650	X	29.53	750
H	52.76	1340	H	50.2	1275	H	58.07	1475
HD1	34.25	870	HD1	32.28	820	HD1	37.4	950
Z	17.72	450	Z	15.75	400	Z	18.9	480
S	17.72	450	S	15.75	400	S	18.9	480
B	35.83	910	B	35.83	910	B	43.7	1110
B1	31.5	800	B1	31.5	800	B1	39.37	1000
B2	23.23	590	B2	23.23	590	B2	29.53	750
W1	24.09	612	W1	21.38	543	W1	24.45	621
W2	32.68	830	W2	27.17	690	W2	31.5	800
CP	56.77	1442	CP	48.54	1233	CP	55.94	1421
L5	8.27	210	L5	5.51	140	L5	6.69	170
D	4.13	105	D	2.56	65	D	3.35	85
A	29.92	760	A	29.92	760	A	33.86	860
A1	25.59	650	A1	25.59	650	A1	29.53	750
A2	18.9	480	A2	18.9	480	A2	21.26	540
E	1.77	45	E	1.77	45	E	1.77	45
K	1.38	35	K	1.38	35	K	1.38	35
G	3.74	95	G	2.28	58	G	2.99	76
F	1.1	28	F	0.71	18	F	0.87	22
DP	1/2 NPT	1/2 BSPT	DP	1/2 NPT	1/2 BSPT	DP	1/2 NPT	1/2 BSPT
GP	1/2 NPT	1/2 BSPT	GP	1/2 NPT	1/2 BSPT	GP	1/2 NPT	1/2 BSPT
Weight	(lb.)	(kg)	Weight	(lb.)	(kg)	Weight	(lb.)	(kg)
	4849	2200		3815	1730		5513	2500

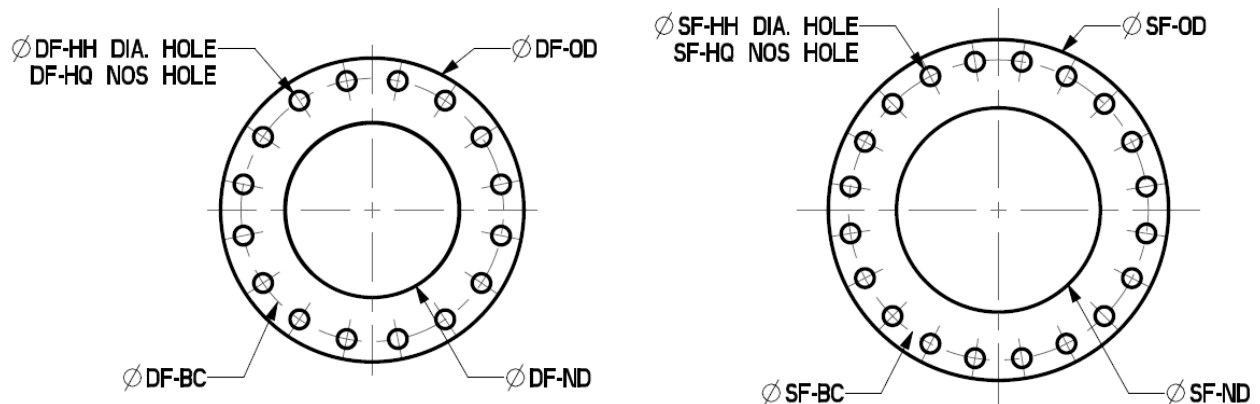


## Suction Flange Dimensions (125# ANSI)

SF-ND	SF-BC	SF-OD	SF-HQ	SF-HH
inch [mm]	inch [mm]	inch [mm]	No. Holes	inch [mm]
4 [100]	7.5 [191]	9 [229]	8	0.750 [19]
5 [125]	8.5 [216]	10 [254]	8	0.875 [22]
6 [150]	9.5 [241]	11 [279]	8	0.875 [22]
8 [200]	11.75 [298]	13.5 [343]	8	0.875 [22]
10 [250]	14.25 [362]	16 [406]	12	1.000 [25]
12 [300]	17 [432]	19 [483]	12	1.000 [25]
14 [350]	18.75 [476]	21 [533]	12	1.125 [29]
16 [400]	21.25 [540]	23.5 [597]	16	1.000 [25]
18 [450]	22.75 [578]	25 [635]	16	1.250 [32]
20 [500]	25 [635]	27.5 [699]	20	1.250 [32]
24 [600]	29.5 [749]	32 [813]	20	1.375 [35]

## Discharge Flange Dimensions (125# ANSI)

DF-ND	DF-BC	DF-OD	DF-HQ	DF-HH
inch [mm]	inch [mm]	inch [mm]	No. Holes	inch [mm]
2.5 [65]	5.5 [140]	7 [178]	4	0.75 [19]
3 [80]	6 [152]	7.5 [191]	4	0.75 [19]
4 [100]	7.5 [191]	9 [229]	8	0.75 [19]
5 [125]	8.5 [216]	10 [254]	8	0.875 [22]
6 [150]	9.5 [241]	11 [279]	8	0.875 [22]
8 [200]	11.75 [298]	13.5 [343]	8	0.875 [22]
10 [250]	14.25 [362]	16 [406]	12	1 [25]
12 [300]	17 [432]	19 [483]	12	1 [25]
14 [350]	18.75 [476]	21 [533]	12	1.125 [29]
16 [400]	21.25 [540]	23.5 [597]	16	1.25 [32]
18 [450]	22.75 [578]	25 [635]	16	1.25 [32]
20 [500]	25 [635]	27.5 [699]	20	1.25 [32]

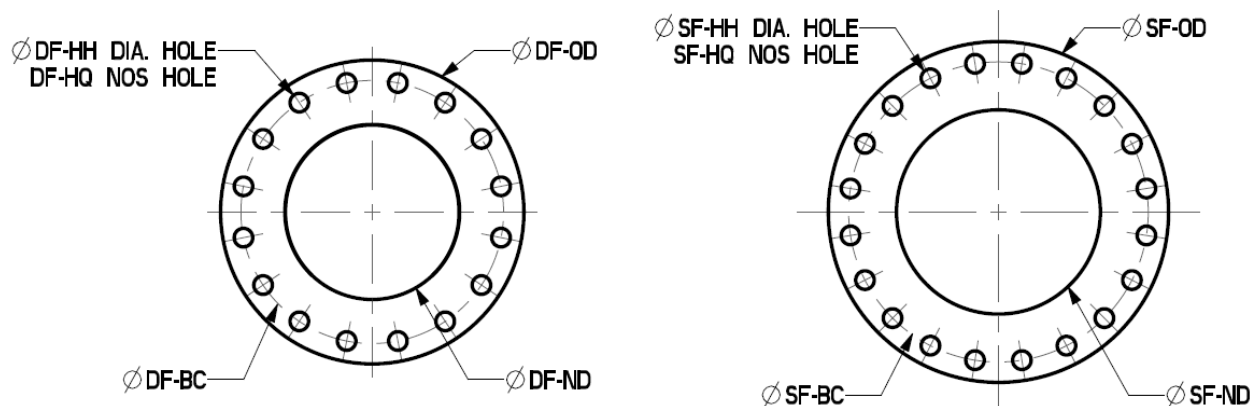


## Suction Flange Dimensions (250# ANSI)

SF-ND	SF-BC	SF-OD	SF-HQ	SF-HH
inch [mm]	inch [mm]	inch [mm]	No. Holes	inch [mm]
4 [100]	7.875 [200]	10 [250]	8	0.875 [22]
5 [125]	9.25 [235]	11 [279]	8	0.875 [22]
6 [150]	10.625 [270]	12.5 [318]	12	0.875 [22]
8 [200]	13 [330]	15 [381]	12	1 [25]
10 [250]	15.25 [387]	17.5 [445]	16	1.125 [29]
12 [300]	17.75 [451]	20.5 [521]	16	1.25 [32]
14 [350]	20.25 [514]	23 [584]	20	1.25 [32]
16 [400]	22.5 [572]	25.5 [648]	20	1.375 [35]
18 [450]	24.75 [629]	28 [711]	24	1.375 [35]
20 [500]	27 [686]	30.5 [775]	24	1.375 [35]
24 [600]	32 [813]	36 [914]	24	1.625 [41]

## Discharge Flange Dimensions (250# ANSI)

DF-ND	DF-BC	DF-OD	DF-HQ	DF-HH
inch [mm]	inch [mm]	inch [mm]	No. Holes	inch [mm]
2.5 [65]	5.875 [150]	5.25 [134]	8	0.875 [22]
3 [80]	6.625 [168]	8.25 [210]	8	0.875 [22]
4 [100]	7.875 [200]	10 [254]	8	0.875 [22]
5 [125]	9.25 [235]	11 [279]	8	0.875 [22]
6 [150]	10.625 [270]	12.5 [318]	12	0.875 [22]
8 [200]	13 [330]	15 [381]	12	1 [25]
10 [250]	15.25 [387]	17.5 [445]	16	1.125 [29]
12 [300]	17.75 [451]	20.5 [521]	16	1.25 [32]
14 [350]	20.25 [514]	23 [584]	20	1.25 [32]
16 [400]	22.5 [572]	25.5 [648]	20	1.375 [35]
18 [450]	24.75 [629]	28 [711]	24	1.375 [35]
20 [500]	27 [686]	30.5 [775]	24	1.375 [35]



## Suction Flange Dimensions (DIN/PN16)

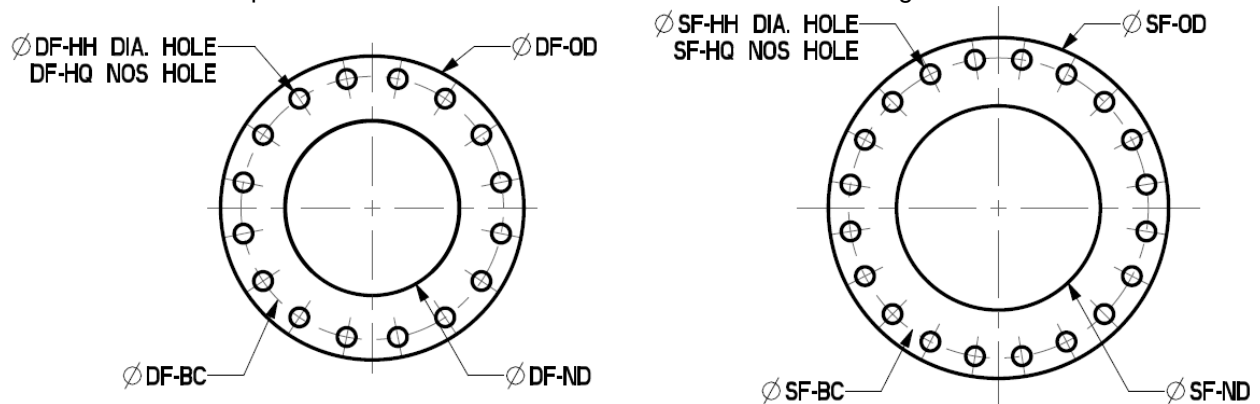
SF-ND <sup>1</sup>	SF-BC	SF-OD	SF-HQ	SF-HH
inch [mm]	mm	mm	No. Holes	mm
4 [100]	180	220	8	18
5 [125]	210	250	8	18
6 [150]	240	285	8	22
8 [200]	295	340	12	22
10 [250]	355	405	12	26
12 [300]	410	460	12	26
14 [350]	470	520	16	26
16 [400]	525	580	16	30
18 [450]	585	640	20	30
20 [500]	650	715	20	33
24 [600]	770	840	20	36

<sup>1</sup>Standard specified in mm. Dimensions based on EN 1092-1 drilling standard.

## Discharge Flange Dimensions (DIN/PN16)

SF-ND <sup>1</sup>	SF-BC	SF-OD	SF-HQ	SF-HH
inch [mm]	mm	mm	No. Holes	mm
2.5 [65]	145	185	4	18
3 [80]	160	200	8	18
4 [100]	180	220	8	18
5 [125]	210	250	8	18
6 [150]	240	285	8	22
8 [200]	295	340	12	22
10 [250]	355	405	12	26
12 [300]	410	460	12	26
14 [350]	470	520	16	26
16 [400]	525	580	16	30
18 [450]	585	640	20	30
20 [500]	650	715	20	33

<sup>1</sup>Standard specified in mm. Dimensions based on EN 1092-1 drilling standard.



## Suction Flange Dimensions (DIN/PN25)

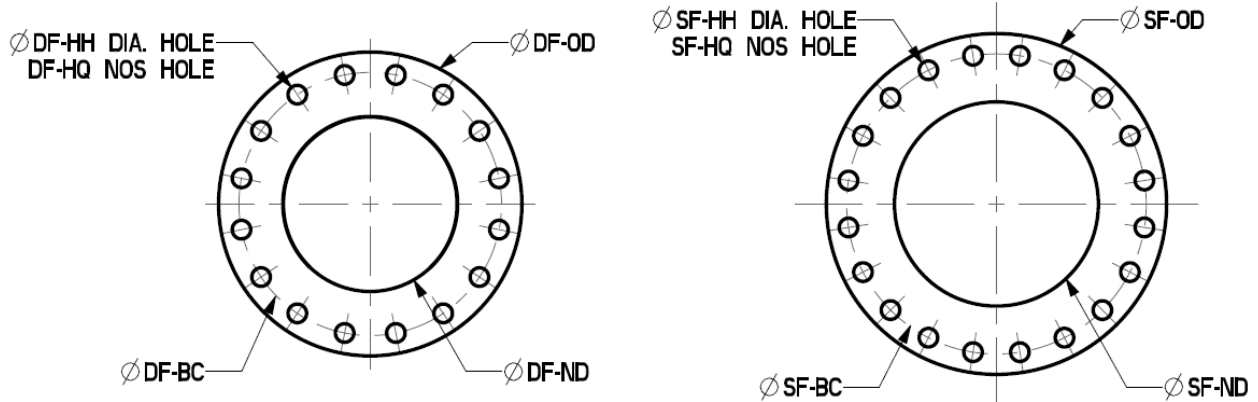
SF-ND <sup>1</sup>	SF-BC	SF-OD	SF-HQ	SF-HH
inch [mm]	mm	mm	No. Holes	mm
4 [100]	Use DIN/PN40 Dimensions			
5 [125]				
6 [150]				
8 [200]	310	360	12	26
10 [250]	370	425	12	30
12 [300]	430	485	16	30
14 [350]	490	555	16	33
16 [400]	550	620	16	36
18 [450]	600	670	20	36
20 [500]	660	730	20	36
24 [600]	770	845	20	39

<sup>1</sup>Standard specified in mm. Dimensions based on EN 1092-1 drilling standard.

## Discharge Flange Dimensions (DIN/PN25)

SF-ND <sup>1</sup>	SF-BC	SF-OD	SF-HQ	SF-HH
inch [mm]	mm	mm	No. Holes	mm
2.5 [65]	Use DIN/PN40 Dimensions			
3 [80]				
4 [100]				
5 [125]	Use DIN/PN40 Dimensions			
6 [150]				
8 [200]				
10 [250]	370	425	12	30
12 [300]	430	485	16	30
14 [350]	490	555	16	33
16 [400]	550	620	16	36
18 [450]	600	670	20	36
20 [500]	660	730	20	36

<sup>1</sup>Standard specified in mm. Dimensions based on EN 1092-1 drilling standard.



## Suction Flange Dimensions (DIN/PN40)

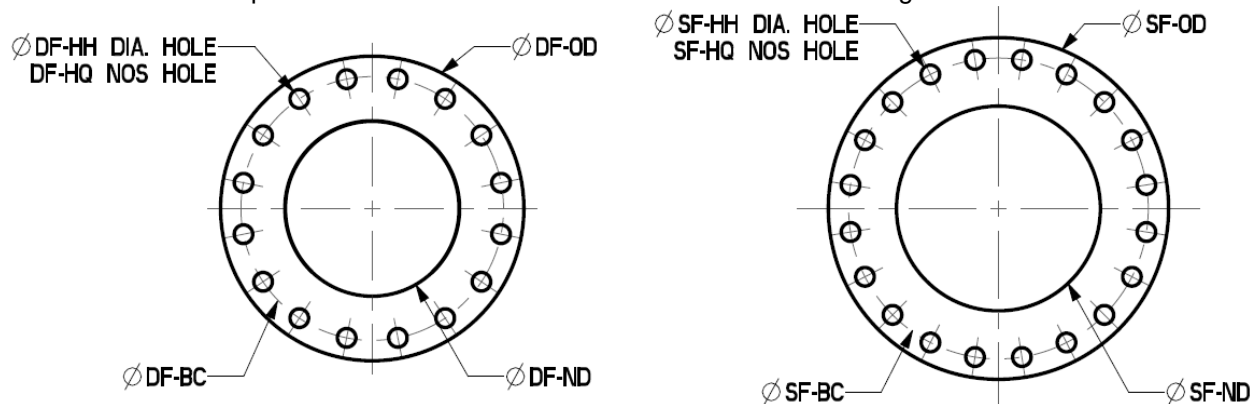
SF-ND <sup>1</sup>	SF-BC	SF-OD	SF-HQ	SF-HH
inch [mm]	mm	mm	No. Holes	mm
4 [100]	190	235	8	22
5 [125]	220	270	8	26
6 [150]	250	300	8	26
8 [200]	320	375	12	30
10 [250]	385	450	12	33
12 [300]	450	515	16	33
14 [350]	510	580	16	36
16 [400]	585	660	16	39
18 [450]	610	685	20	39
20 [500]	670	755	20	42
24 [600]	795	890	20	48

<sup>1</sup>Standard specified in mm. Dimensions based on EN 1092-1 drilling standard.

## Discharge Flange Dimensions (DIN/PN40)

SF-ND <sup>1</sup>	SF-BC	SF-OD	SF-HQ	SF-HH
inch [mm]	mm	mm	No. Holes	mm
2.5 [65]	145	185	8	18
3 [80]	160	200	8	18
4 [100]	190	235	8	22
5 [125]	220	270	8	26
6 [150]	250	300	8	26
8 [200]	320	375	12	30
10 [250]	385	450	12	33
12 [300]	450	515	16	33
14 [350]	510	580	16	36
16 [400]	585	660	16	39
18 [450]	610	685	20	39
20 [500]	670	755	20	42

<sup>1</sup>Standard specified in mm. Dimensions based on EN 1092-1 drilling standard.



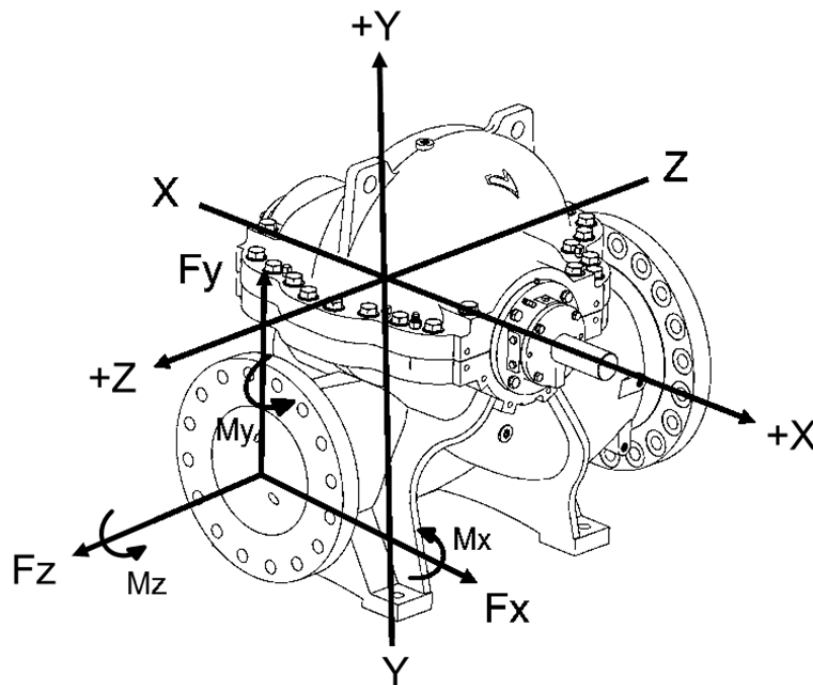
## Shared Dimensions (Flange Thickness)

Metric Pump Size		Imperial Pump Size		Suction Flange (SF-T)	Discharge Flange (DF-T)
				mm [in.]	mm [in.]
65-270	65-250	2.5X4X10.5	2.5X4X10	31.8 [1.25]	0.75 [19.0]
80-315	80-300	3X4X12.5	3X4X12	31.8 [1.25]	1.13 [28.6]
80-215	80-205	3X5X8.5	3X5X8	34.9 [1.37]	1.13 [28.6]
80-285	80-270	3X5X11	3X5X10.5	34.9 [1.37]	1.13 [28.6]
80-345	80-330	3X5X13.5	3X5X13	34.9 [1.37]	1.13 [28.6]
100-260	100-250	4X6X10	4X6X9.5	36.5 [1.44]	1.25 [31.8]
100-325	100-310	4X6X13	4X6X12	36.5 [1.44]	1.25 [31.8]
100-410	100-390	4X6X16	4X6X15.5	36.5 [1.44]	1.25 [31.8]
125-225	125-215	5X6X9	5X6X8.5	36.5 [1.44]	1.37 [34.9]
125-245	125-235	5X8X9.5	5X8X9	41.3 [1.63]	1.37 [34.9]
125-300	125-285	5X8X12	5X8X11	41.3 [1.63]	1.37 [34.9]
125-390	125-370	5X8X15.5	5X8X14.5	41.3 [1.63]	1.37 [34.9]
125-475	125-450	5X8X19	5X8X18	41.3 [1.63]	1.37 [34.9]
150-170	150-160	6X8X6.5	6X8X6	41.3 [1.63]	1.44 [36.5]
150-300	150-285	6X8X12	6X8X11	41.3 [1.63]	1.44 [36.5]
150-355	150-340	6X8X14	6X8X13.5	41.3 [1.63]	1.44 [36.5]
150-455	150-435	6X8X18	6X8X17	41.3 [1.63]	1.44 [36.5]
150-560	150-535	6X8X22	6X8X21	41.3 [1.63]	1.44 [36.5]
150-280	150-265	6X10X11	6X10X10.5	48.0 [1.89]	1.44 [36.5]
200-200	200-190	8X8X8	8X8X7.5	41.3 [1.63]	1.63 [41.3]
200-250	200-235	8X10X10	8X10X9.5	48.0 [1.89]	1.63 [41.3]
200-345	200-330	8X10X13.5	8X10X13	48.0 [1.89]	1.63 [41.3]
200-425	200-405	8X10X17	8X10X16	48.0 [1.89]	1.63 [41.3]
200-530	200-505	8X10X21	8X10X20	48.0 [1.89]	1.63 [41.3]
200-655	200-625	8X10X26	8X10X25	48.0 [1.89]	1.63 [41.3]
250-200	250-190	10X10X8	10X10X7.5	48.0 [1.89]	1.89 [48.0]
250-390	250-370	10X12X15.5	10X12X14.5	51.0 [2.01]	1.89 [48.0]
250-480	250-455	10X12X19	10X12X18	51.0 [2.01]	1.89 [48.0]
250-610	250-580	10X12X24	10X12X23	51.0 [2.01]	1.89 [48.0]
300-225	300-215	12X12X9	12X12X8.5	51.0 [2.01]	2.01 [51.0]
300-255	300-245	12X12X10	12X12X9.5	51.0 [2.01]	2.01 [51.0]
300-330	300-315	12X14X13	12X14X12.5	54.0 [2.13]	2.01 [51.0]
300-450	300-430	12X16X18	12X16X17	57.0 [2.24]	2.01 [51.0]
300-550	300-525	12X16X22	12X16X21	57.0 [2.24]	2.01 [51.0]
300-705	300-670	12X16X28	12X16X27	57.0 [2.24]	2.01 [51.0]
350-300	350-285	14X14X12	14X14X11	54.0 [2.13]	2.13 [54.0]
350-385	350-365	14X16X15	14X16X14.5	57.0 [2.24]	2.13 [54.0]
350-690	350-655	14X16X27.5	14X16X26	57.0 [2.24]	2.13 [54.0]
350-450	350-430	14X18X18	14X18X17	60.0 [2.36]	2.13 [54.0]
350-530	350-505	14X18X21	14X18X20	60.0 [2.36]	2.13 [54.0]
400-340	400-325	16X16X13.5	16X16X13	57.0 [2.24]	2.24 [57.0]
400-525	400-500	16X20X20.5	16X20X19.5	63.5 [2.50]	2.24 [57.0]
400-580	400-550	16X20X23	16X20X22	63.5 [2.50]	2.24 [57.0]
450-390	450-370	18X20X15.5	18X20X14.5	63.5 [2.50]	2.36 [60.0]
500-450	500-430	20X24X18	20X24X17	69.9 [2.75]	2.50 [63.5]

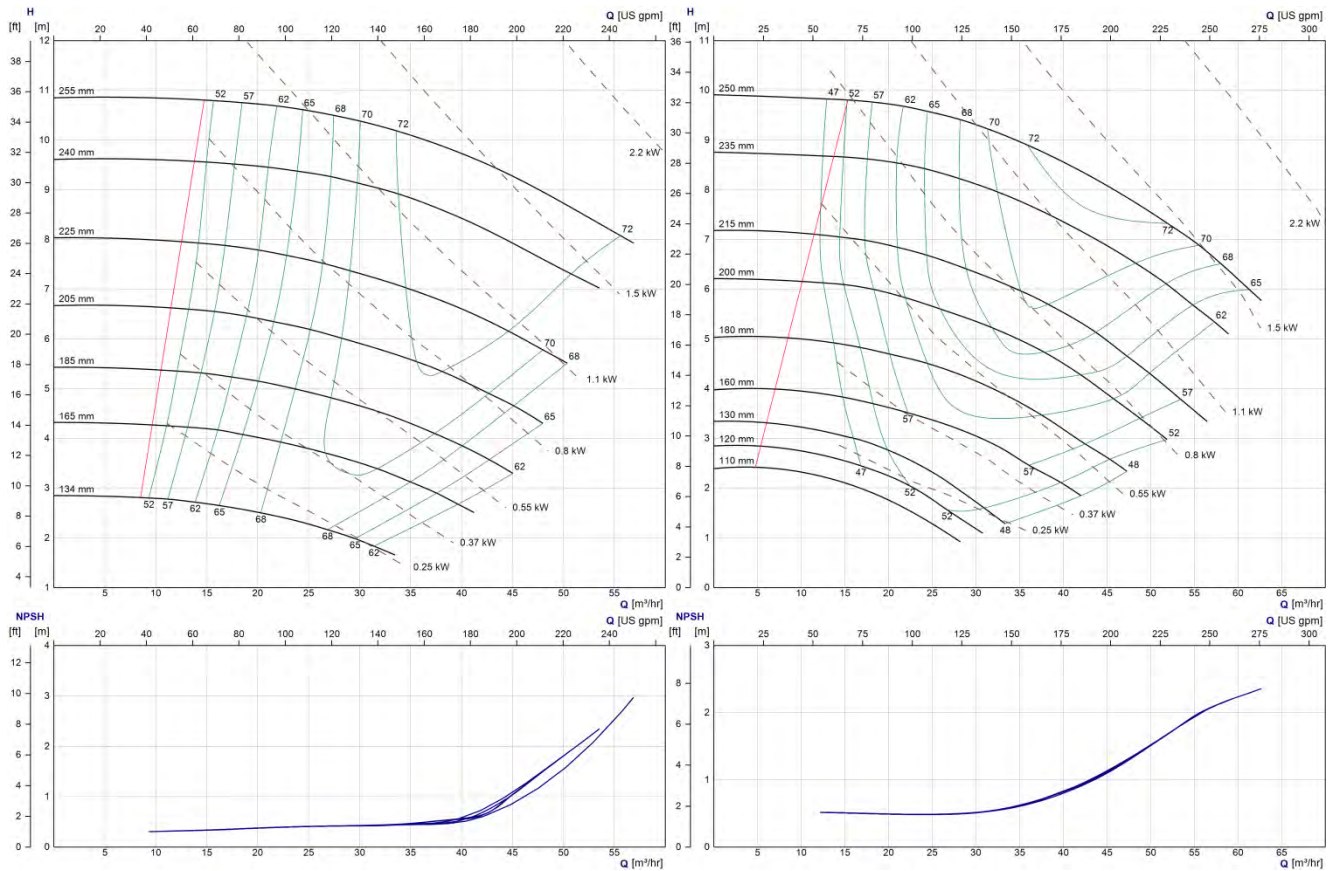
# FORCES AND MOMENTS AT PUMP FLANGES

Flange Loading Ratings

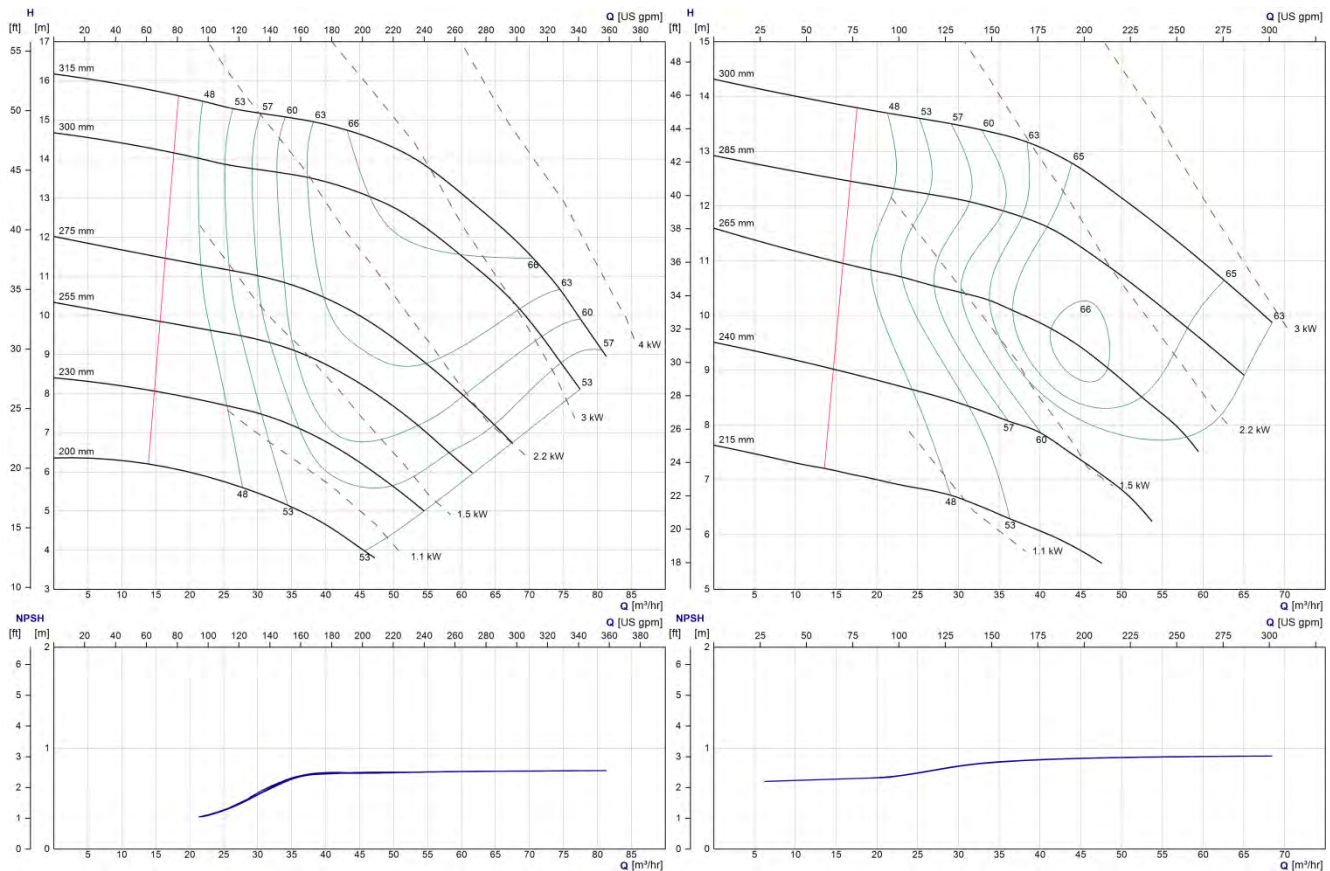
Diameter		Fx Max		Fy Max		Fz Max		Mx Max		My Max		Mz Max	
in.	mm	lb.	N	lb.	N	lb.	N	lb-ft	N-m	lb-ft	N-m	lb-ft	N-m
2.5	64	166	740	189	840	153	680	332	450	243	330	266	360
3	76	202	900	225	1000	184	820	354	480	254	345	288	390
4	102	270	1200	301	1340	243	1080	387	525	277	375	321	435
5	127	319	1420	355	1580	288	1280	465	630	332	450	420	570
6	152	405	1800	450	2000	364	1620	553	750	387	525	454	615
8	203	540	2400	602	2680	486	2160	719	975	509	690	586	795
10	254	670	2980	751	3340	607	2700	985	1335	697	945	808	1095
12	305	805	3580	899	4000	724	3220	1339	1815	951	1290	1095	1485
14	356	940	4180	1048	4660	845	3760	1715	2325	1217	1650	1405	1905
16	406	1075	4780	1196	5320	967	4300	2146	2910	1538	2085	1759	2385
18	457	1209	5380	1344	5980	1088	4840	2644	3585	1881	2550	2168	2940
20	508	1344	5980	1493	6640	1209	5380	3197	4335	2268	3075	2611	3540
24	610	1614	7180	1789	7960	1448	6440	4470	6060	3186	4320	3673	4980
28	711	1884	8380	2086	9280	1691	7520	5952	8070	4248	5760	4912	6660



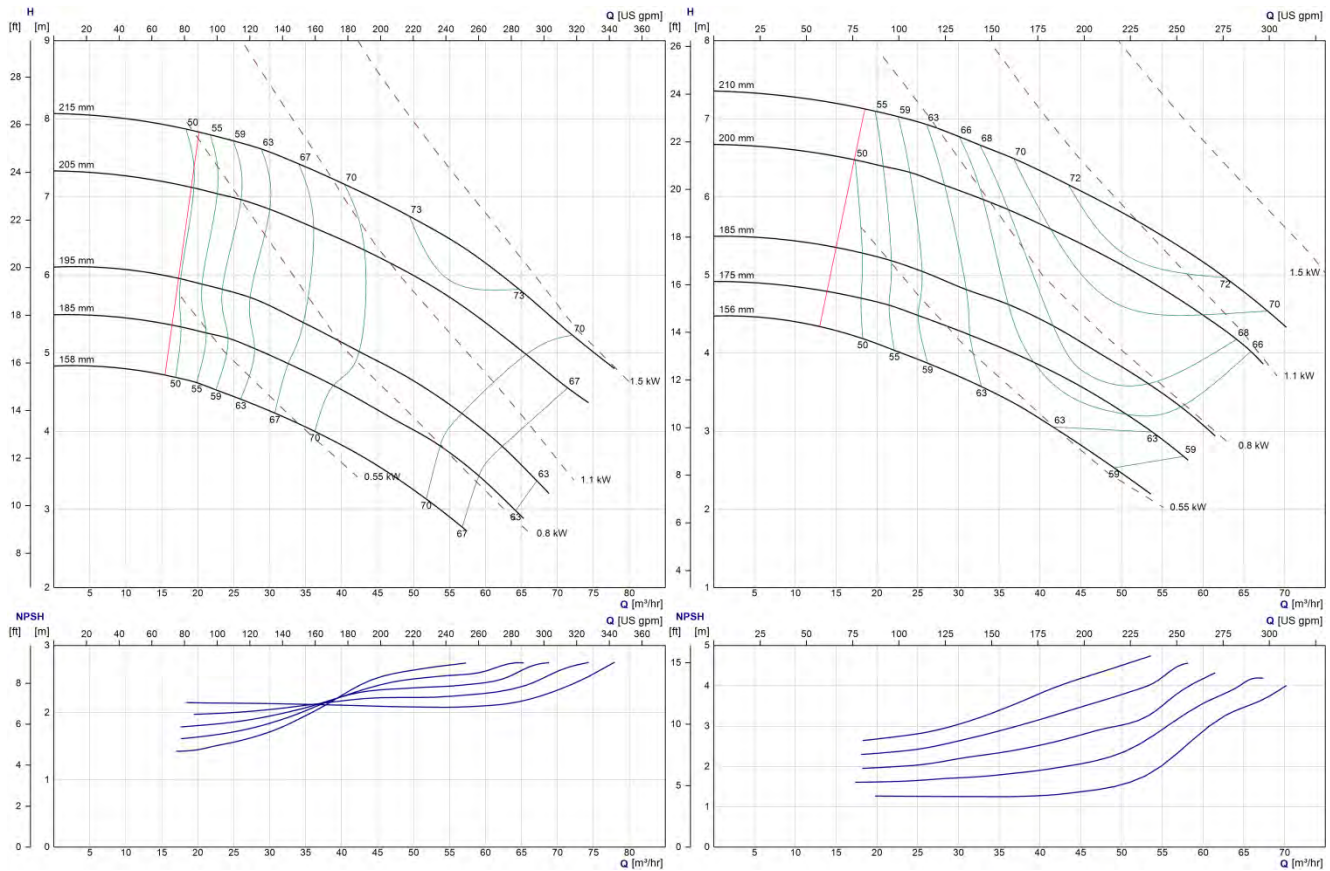
## e-HSC 6-Pole: 65-270 & 65-250 (2.5x4x10.5 & 2.5x4x10)



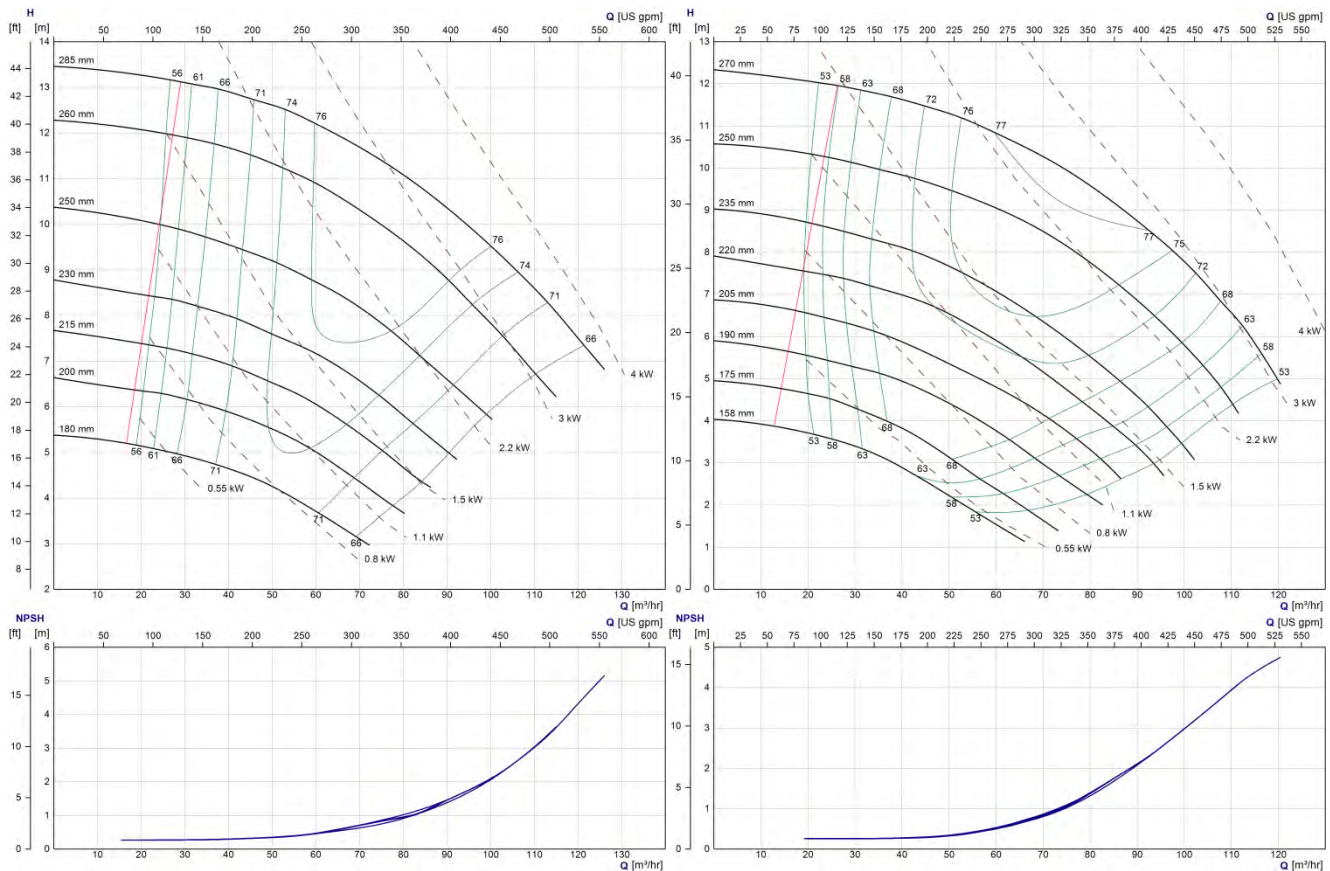
## e-HSC 6-Pole: 80-315 & 80-300 (3x4x12.5 & 3x4x12)



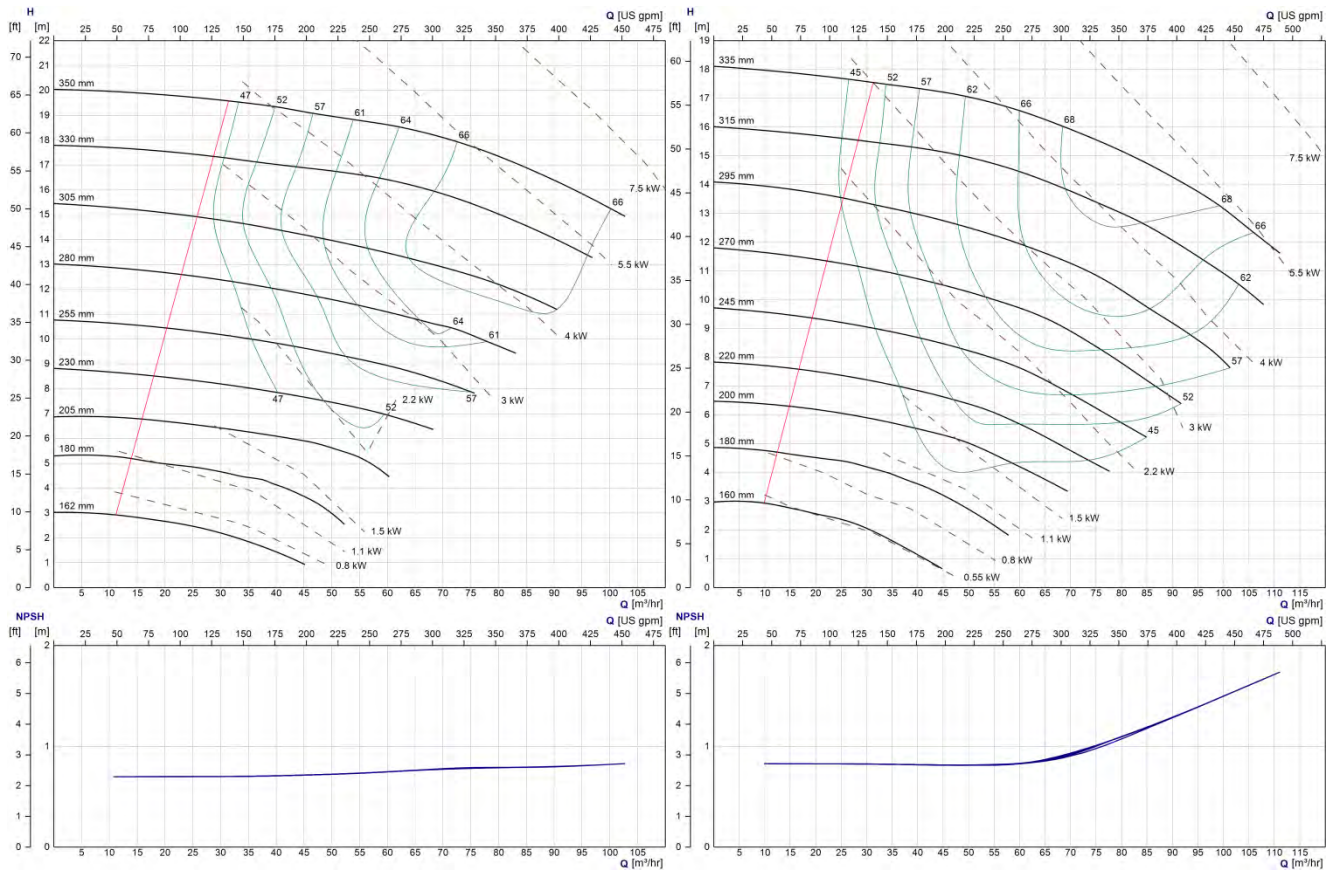
## e-HSC 6-Pole: 80-215 & 80-205 (3x5x8.5 & 3x5x8)



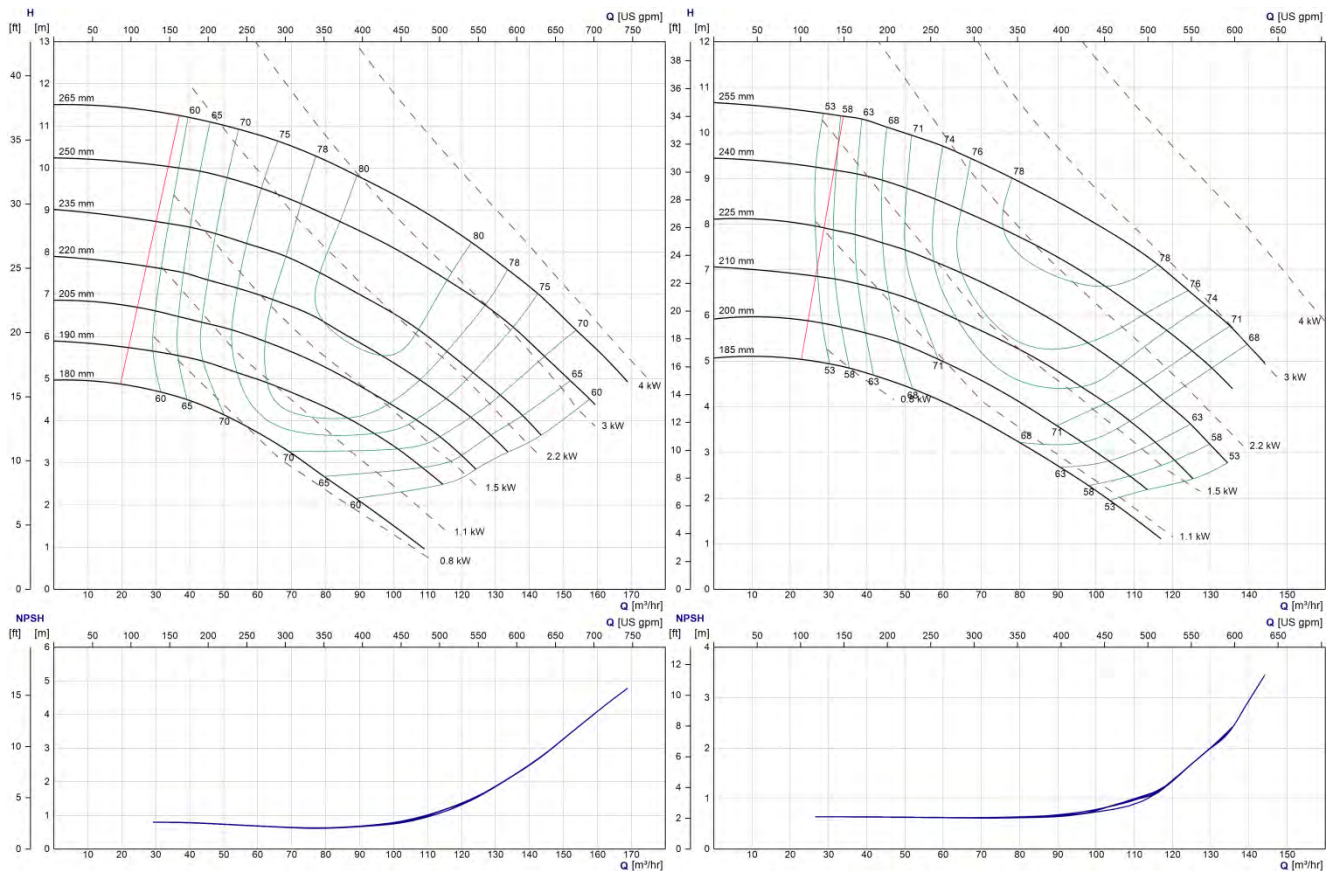
## e-HSC 6-Pole: 80-285 & 80-270 (3x5x11 & 3x5x10.5)



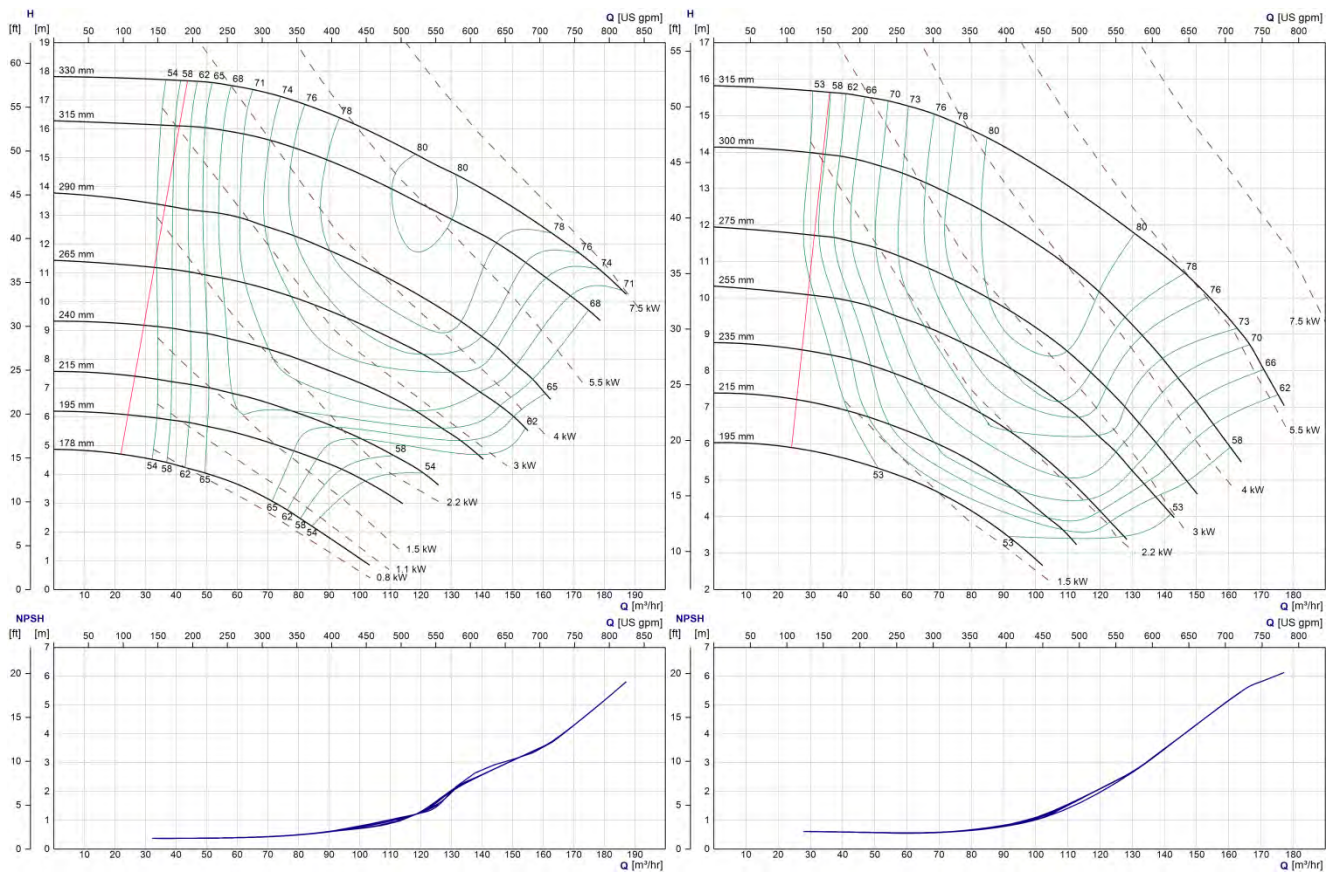
## e-HSC 6-Pole: 80-345 & 80-330 (3x5x13.5 & 3x5x13)



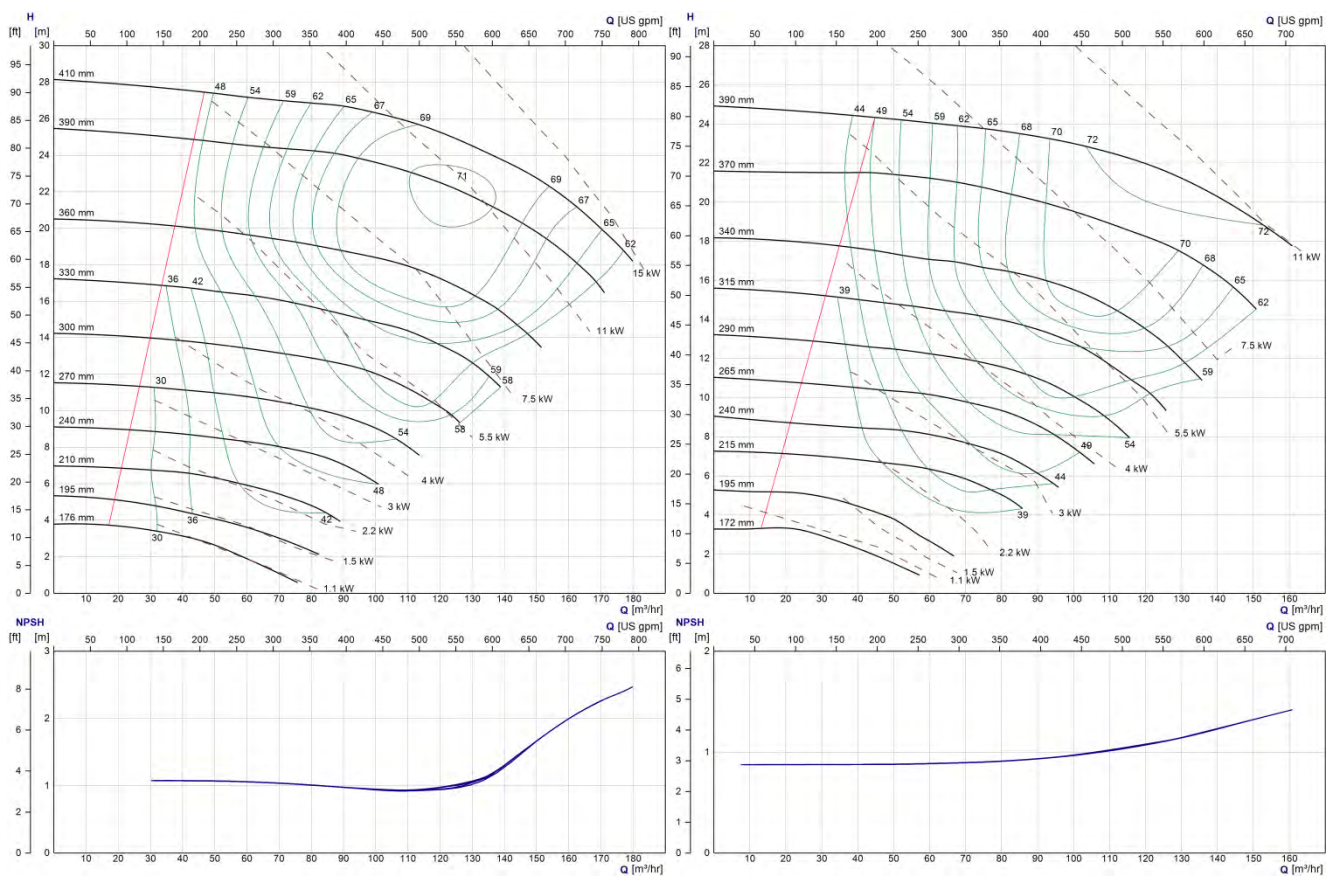
## e-HSC 6-Pole: 100-260 & 100-250 (4x6x10 & 4x6x9.5)



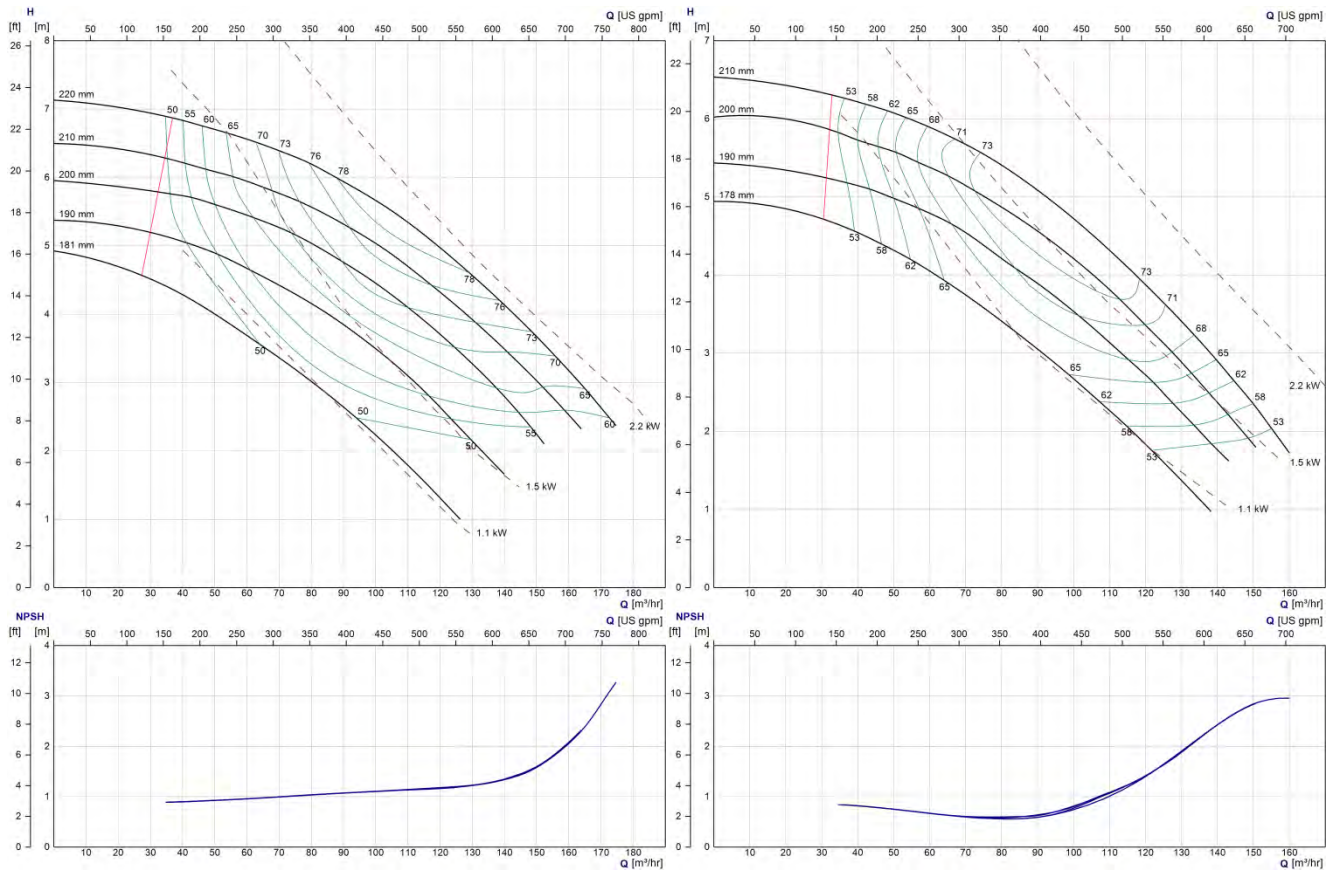
## e-HSC 6-Pole: 100-325 & 100-310 (4x6x13 & 4x6x12)



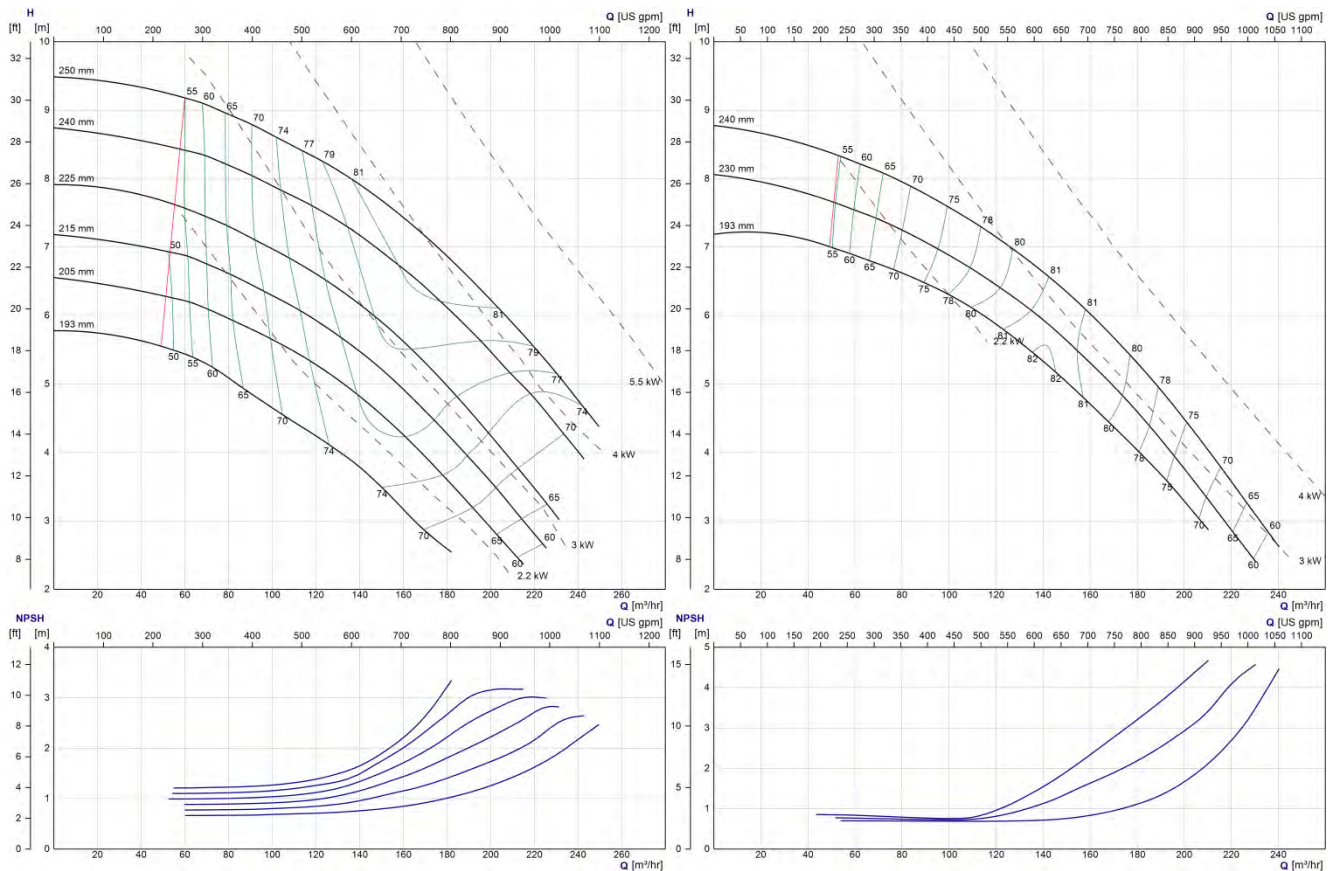
## e-HSC 6-Pole: 100-410 & 100-390 (4x6x16 & 4x6x15.5)



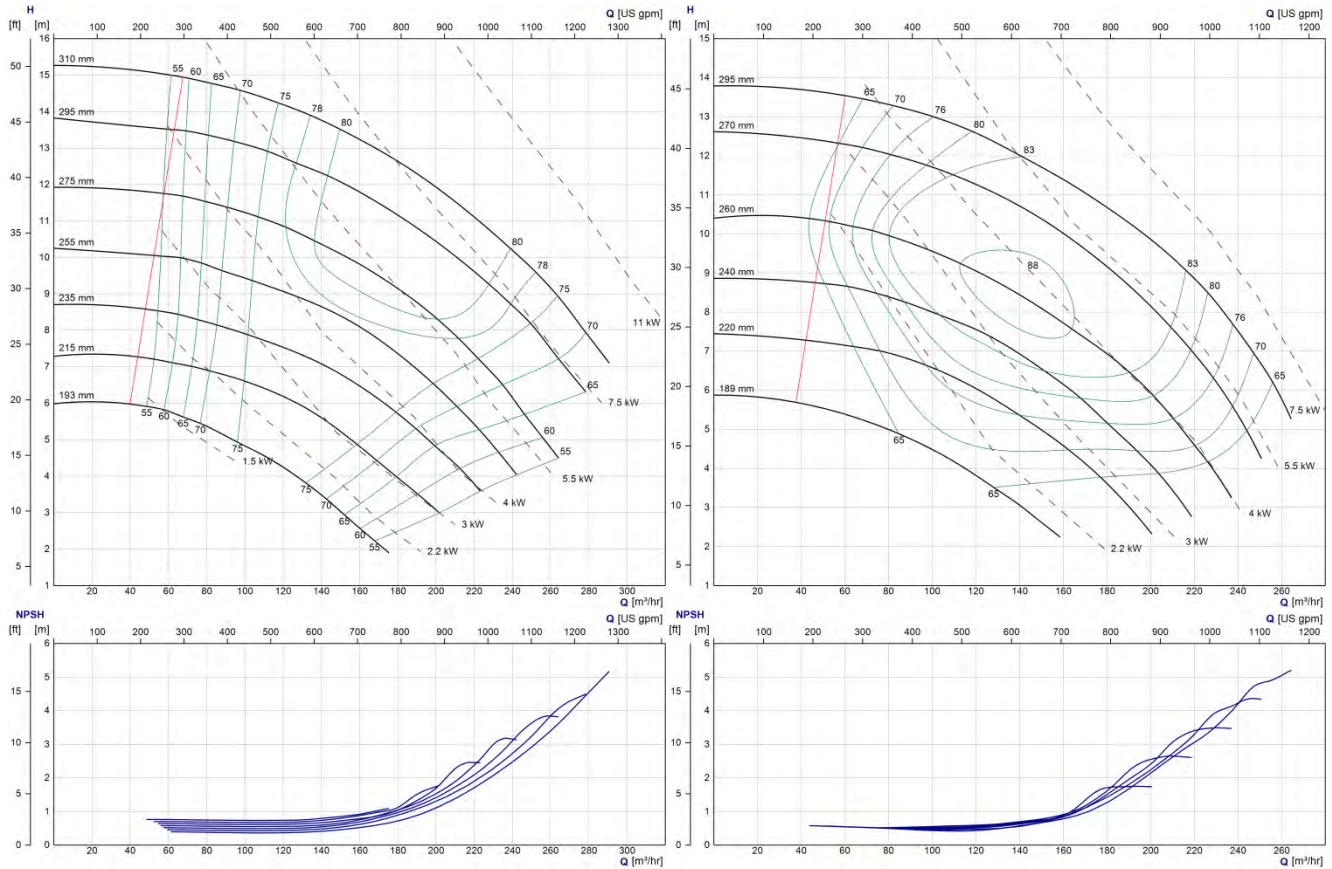
## e-HSC 6-Pole: 125-225 & 125-215 (5x6x9 & 5x6x8.5)



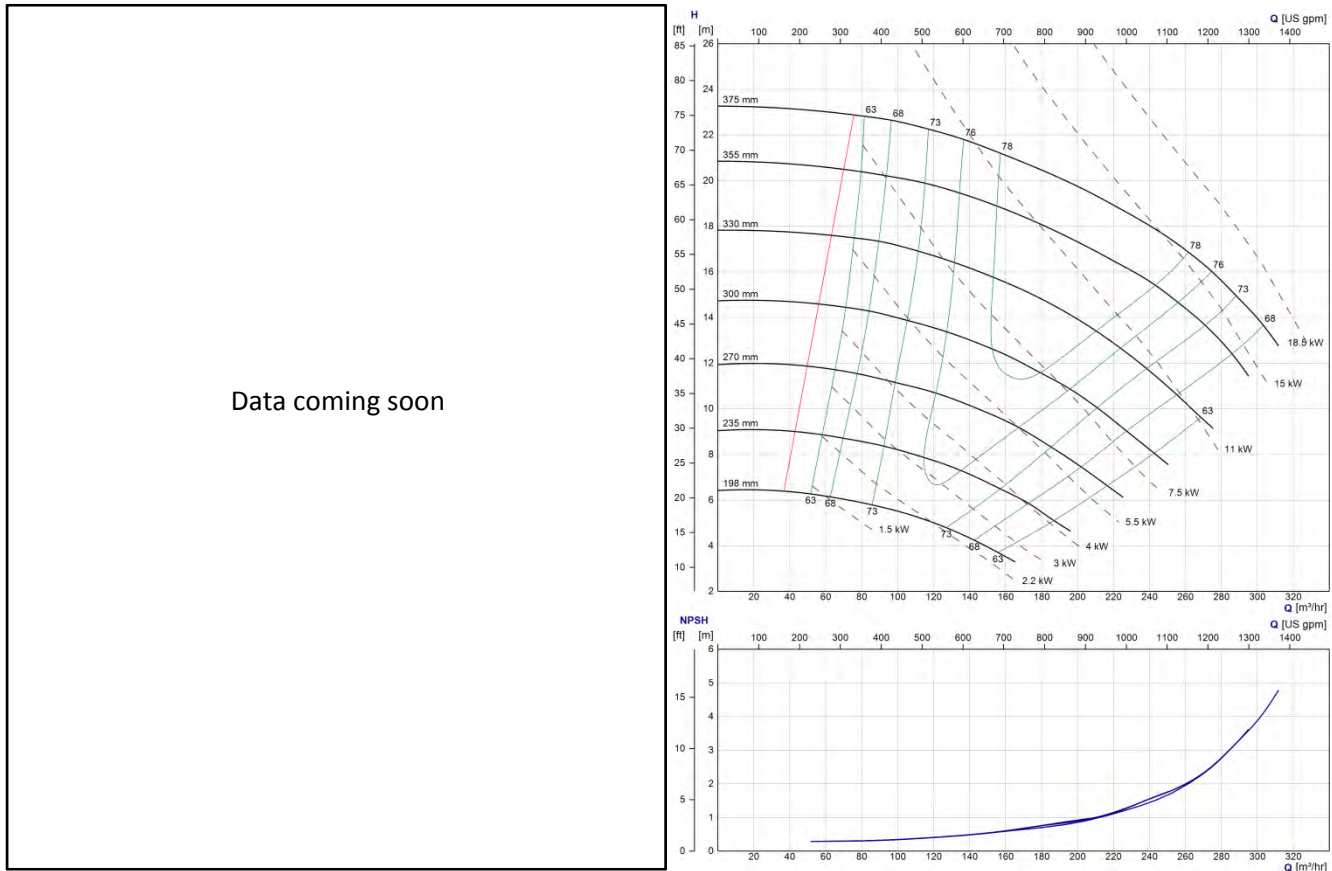
## e-HSC 6-Pole: 125-245 & 125-235 (5x8x9.5 & 5x8x9)



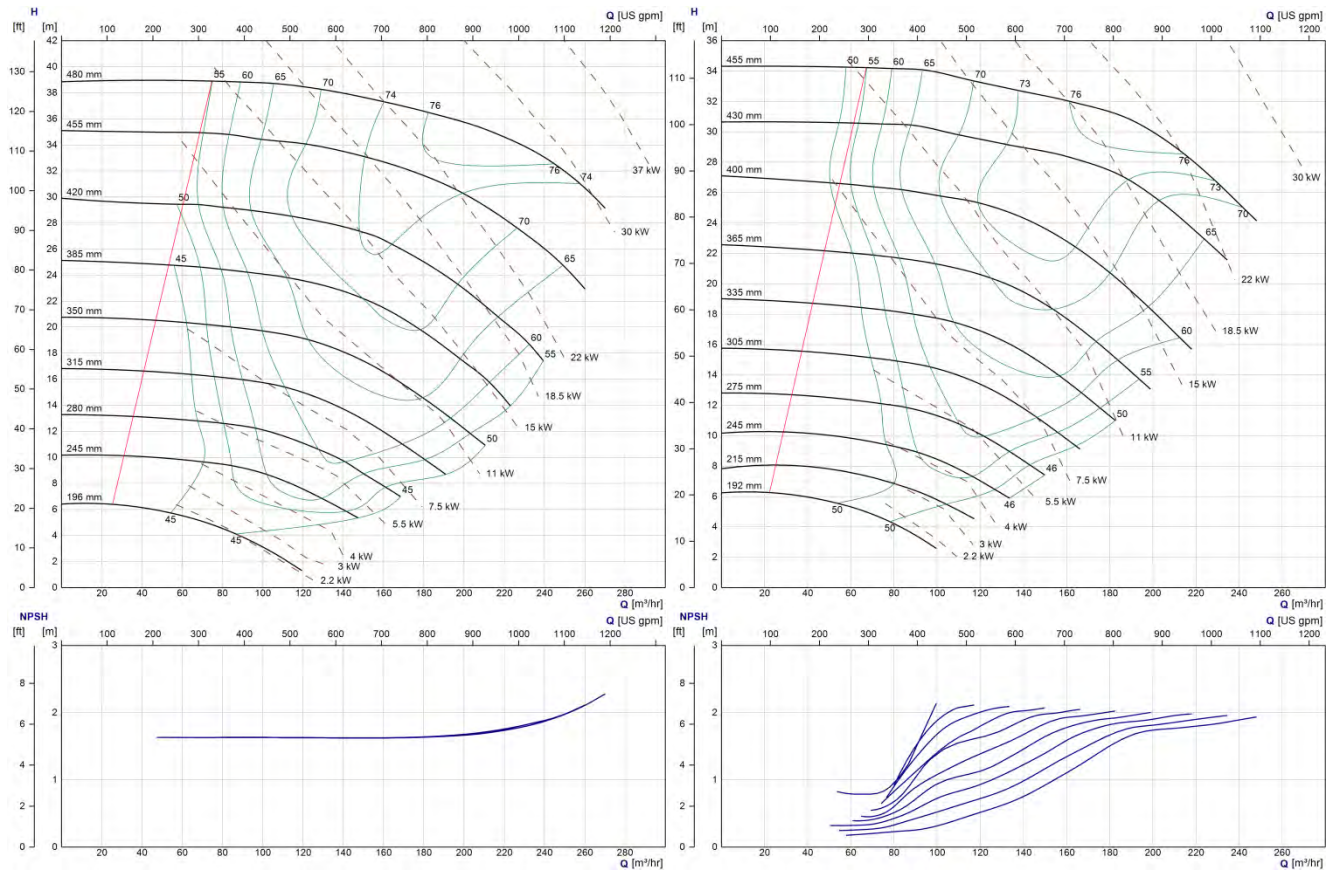
## e-HSC 6-Pole: 125-300 & 125-285 (5x8x12 & 5x8x11)



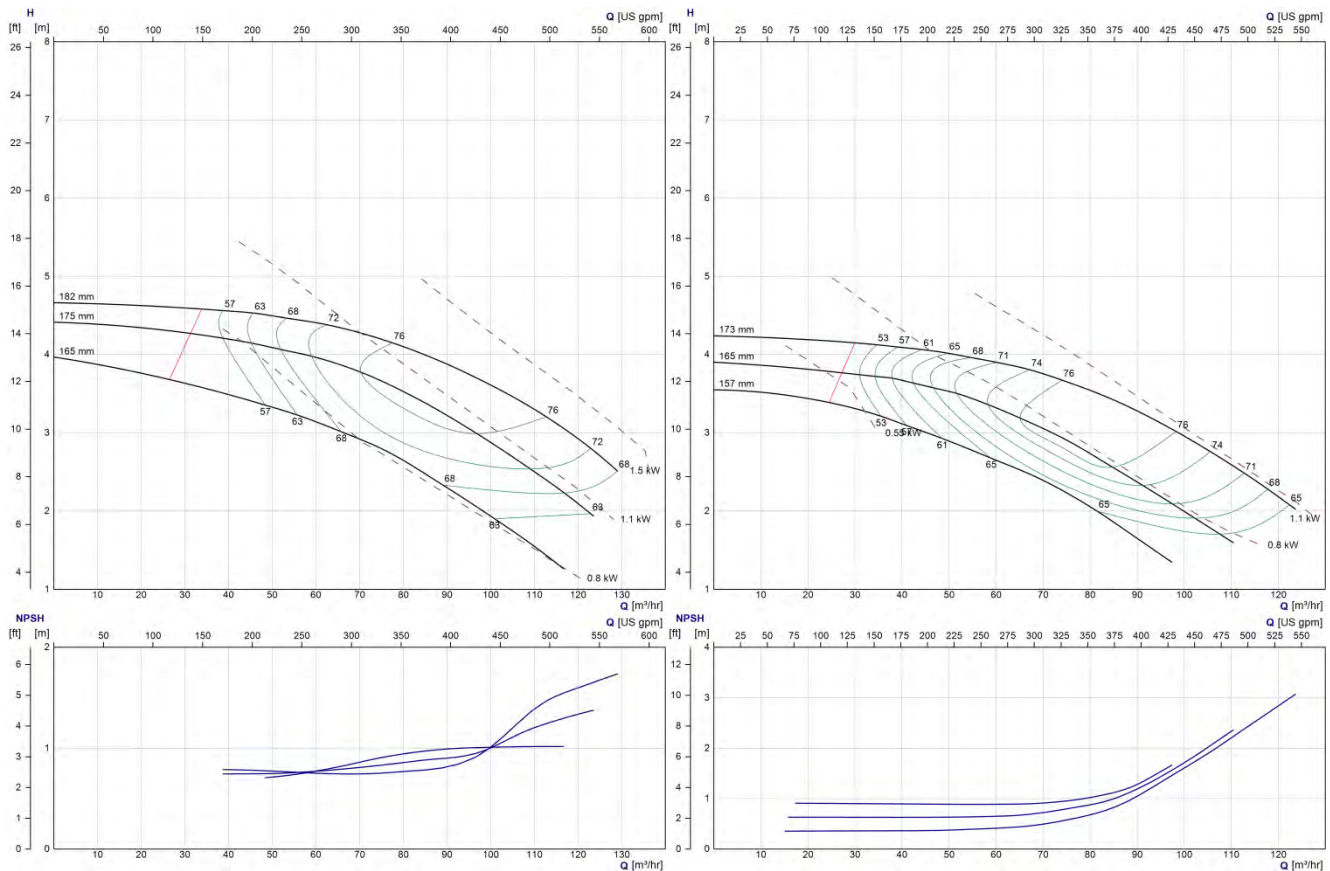
## e-HSC 6-Pole: 125-390 & 125-370 (5x8x15.5 & 5x8x14.5)



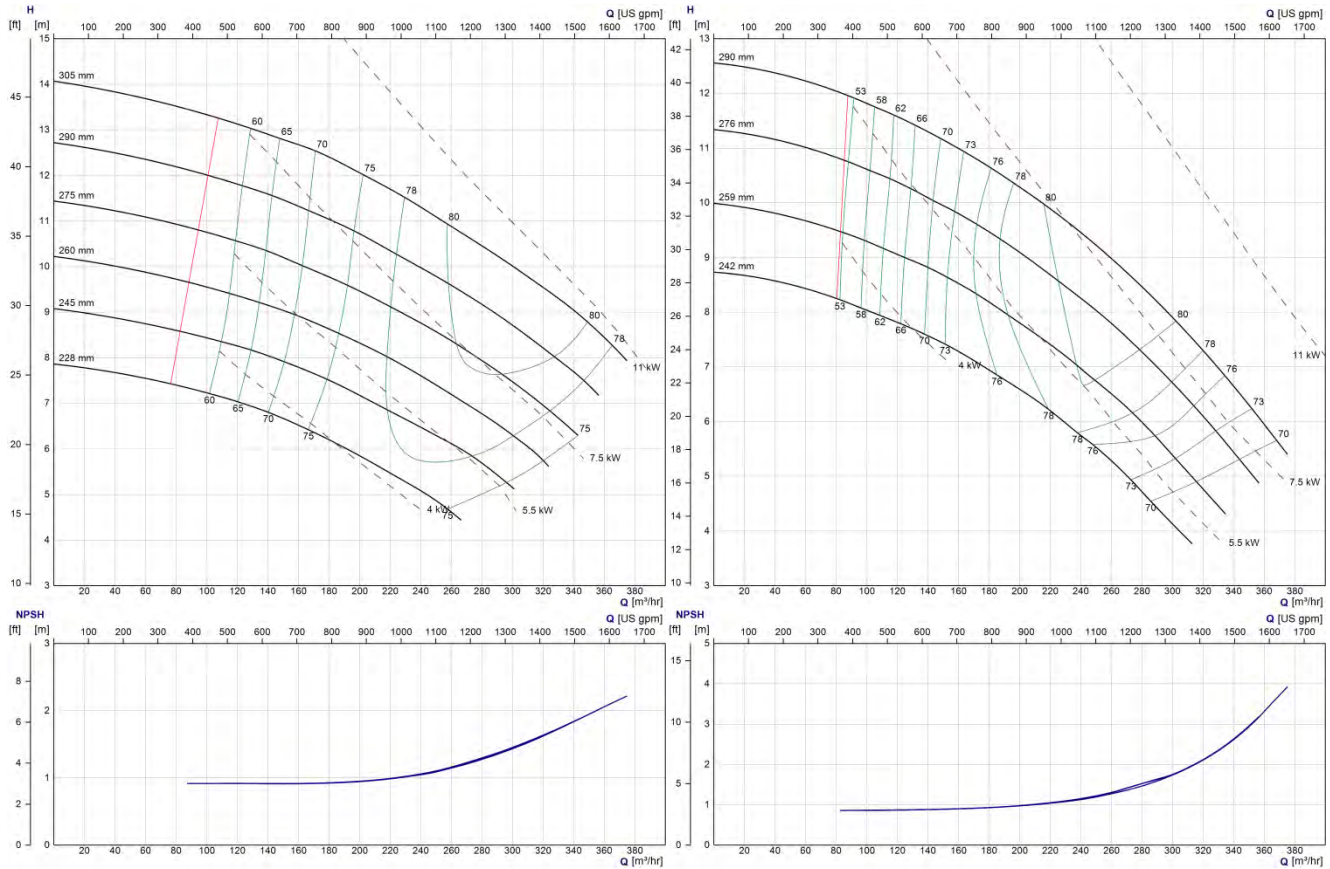
## e-HSC 6-Pole: 125-475 & 125-450 (5x8x19 & 5x8x18)



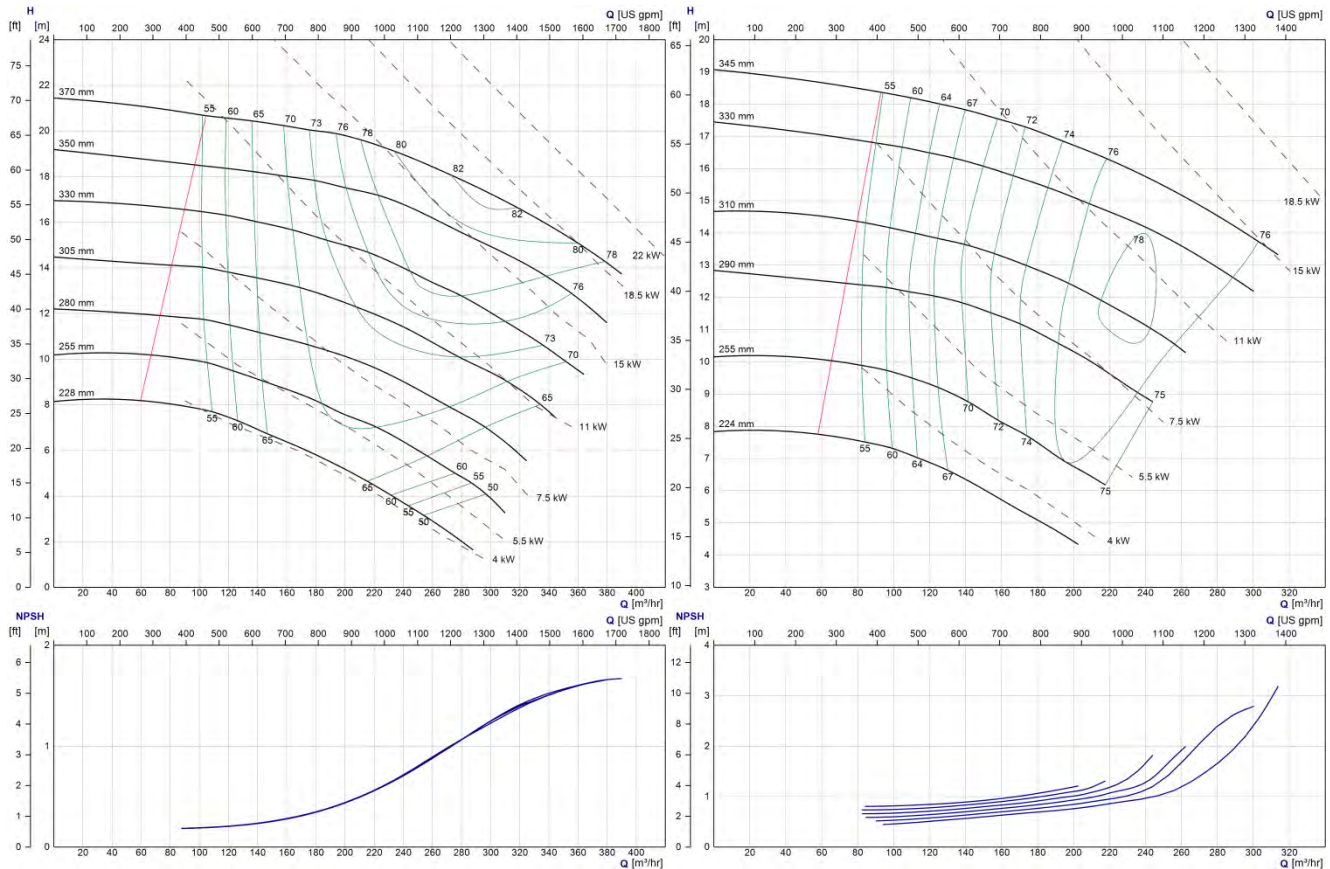
## e-HSC 6-Pole: 150-170 & 150-160 (6x8x6.5 & 6x8x6)



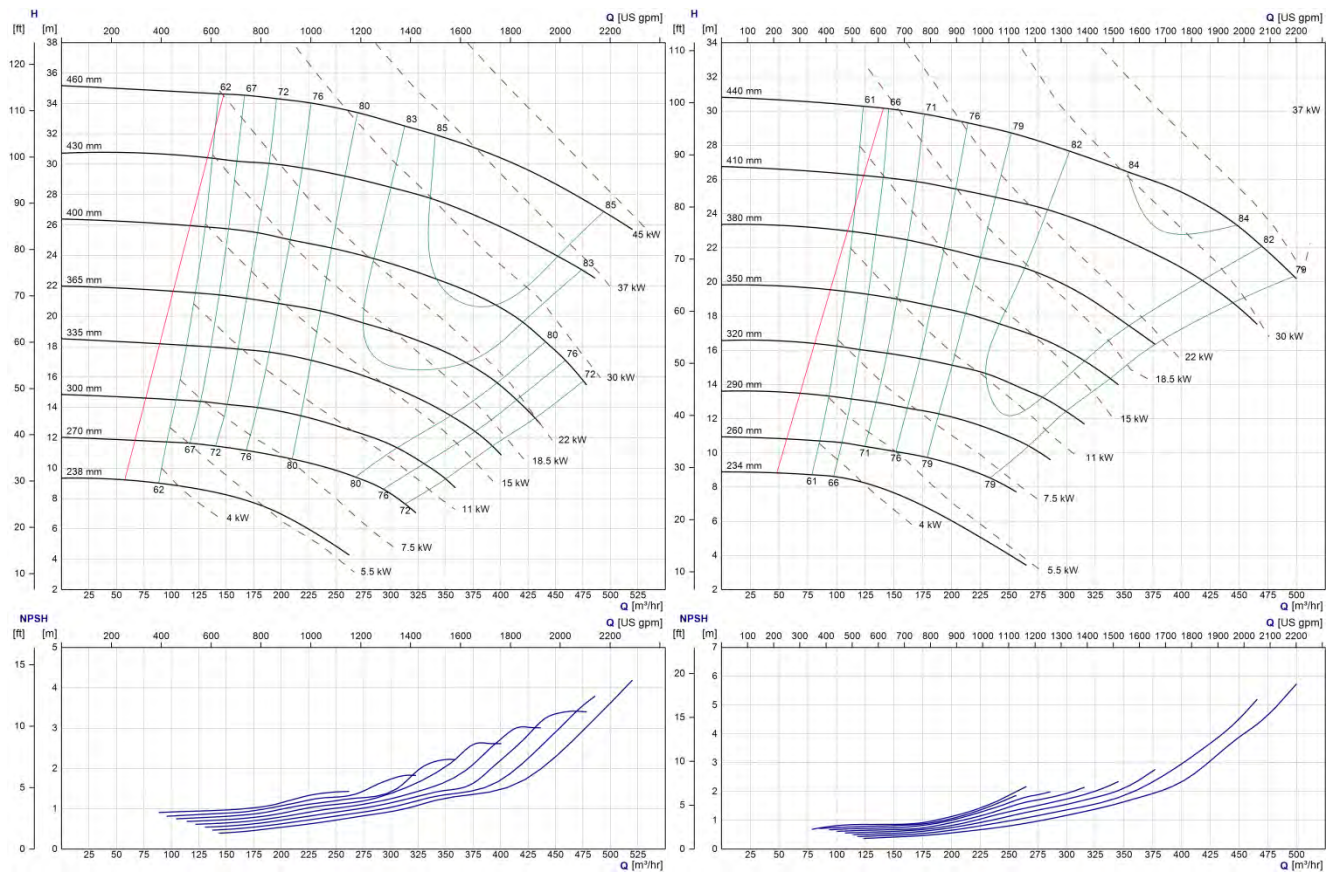
## e-HSC 6-Pole: 150-300 & 150-285 (6x8x12 & 6x8x11)



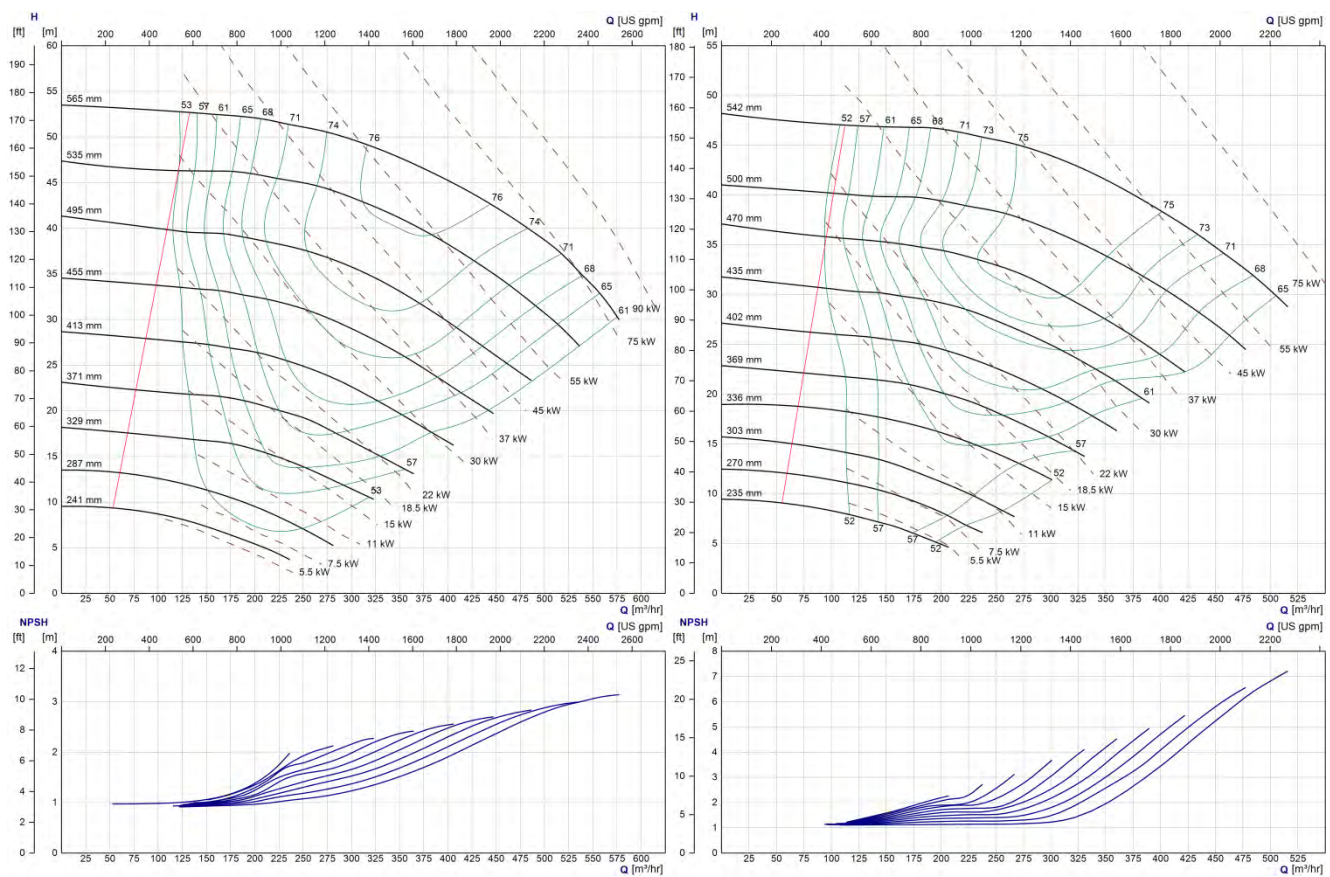
## e-HSC 6-Pole: 150-355 & 150-340 (6x8x14 & 6x8x13.5)



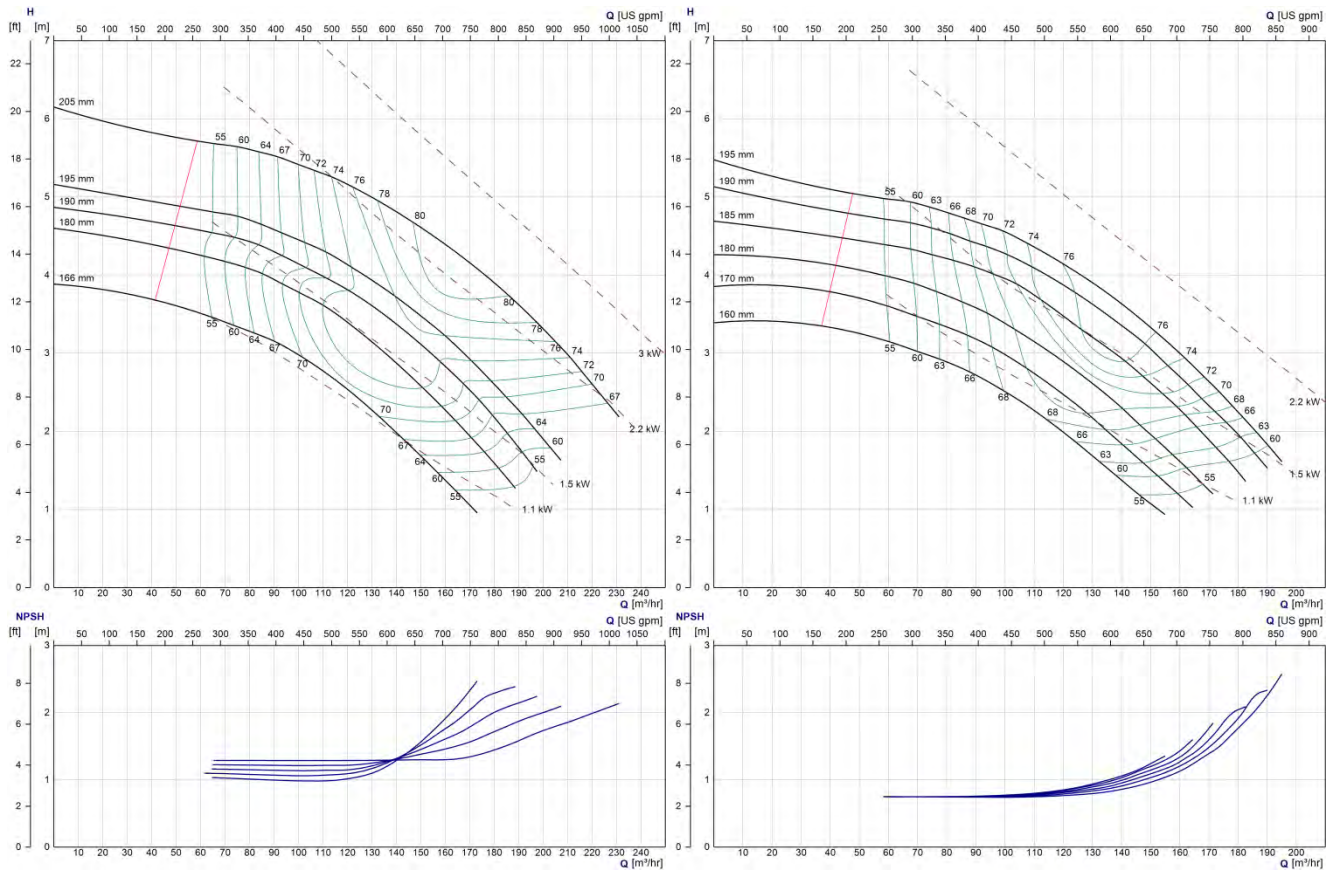
## e-HSC 6-Pole: 150-455 & 150-435 (6x8x18 & 6x8x17)



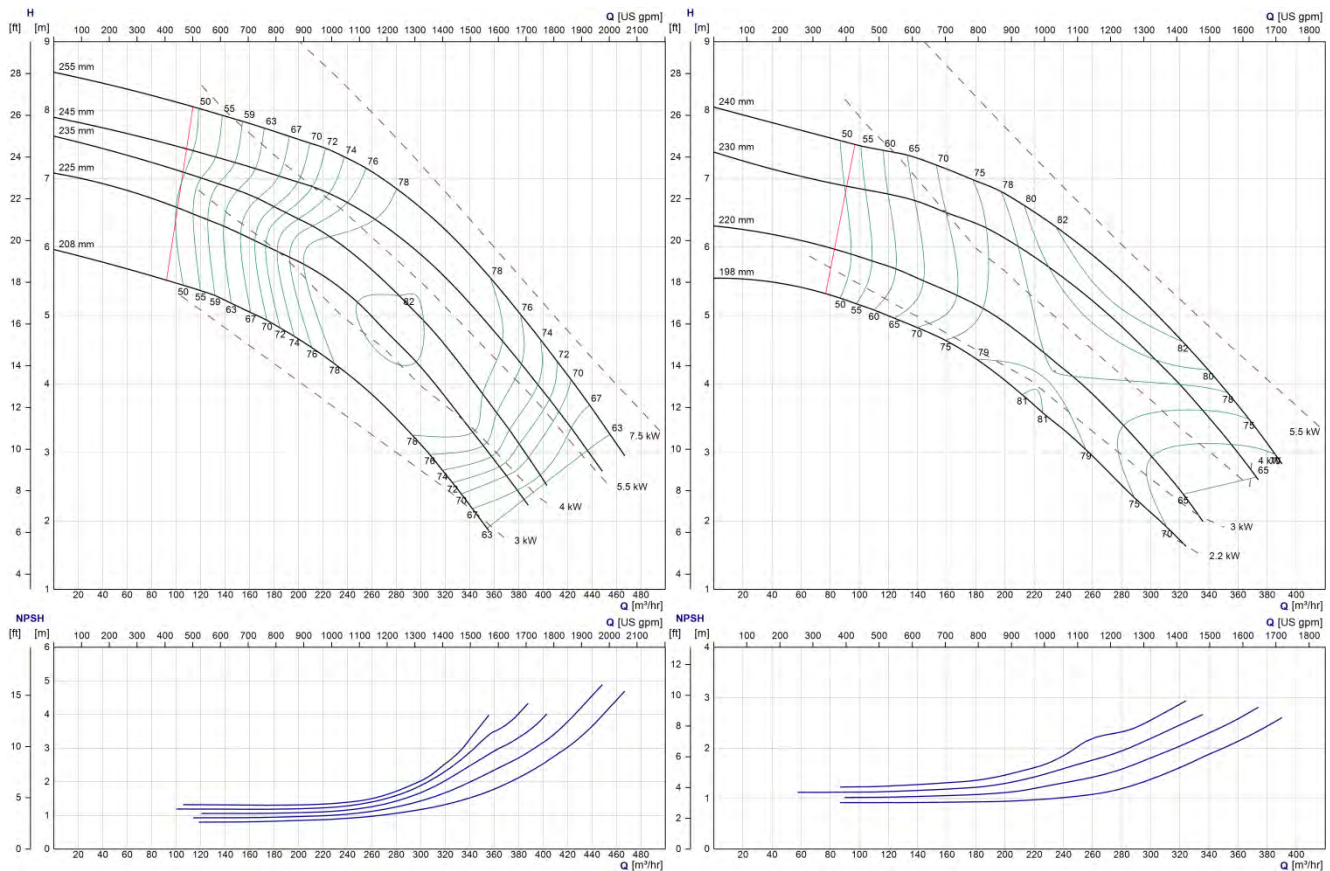
## e-HSC 6-Pole: 150-560 & 150-535 (6x8x22 & 6x8x21)



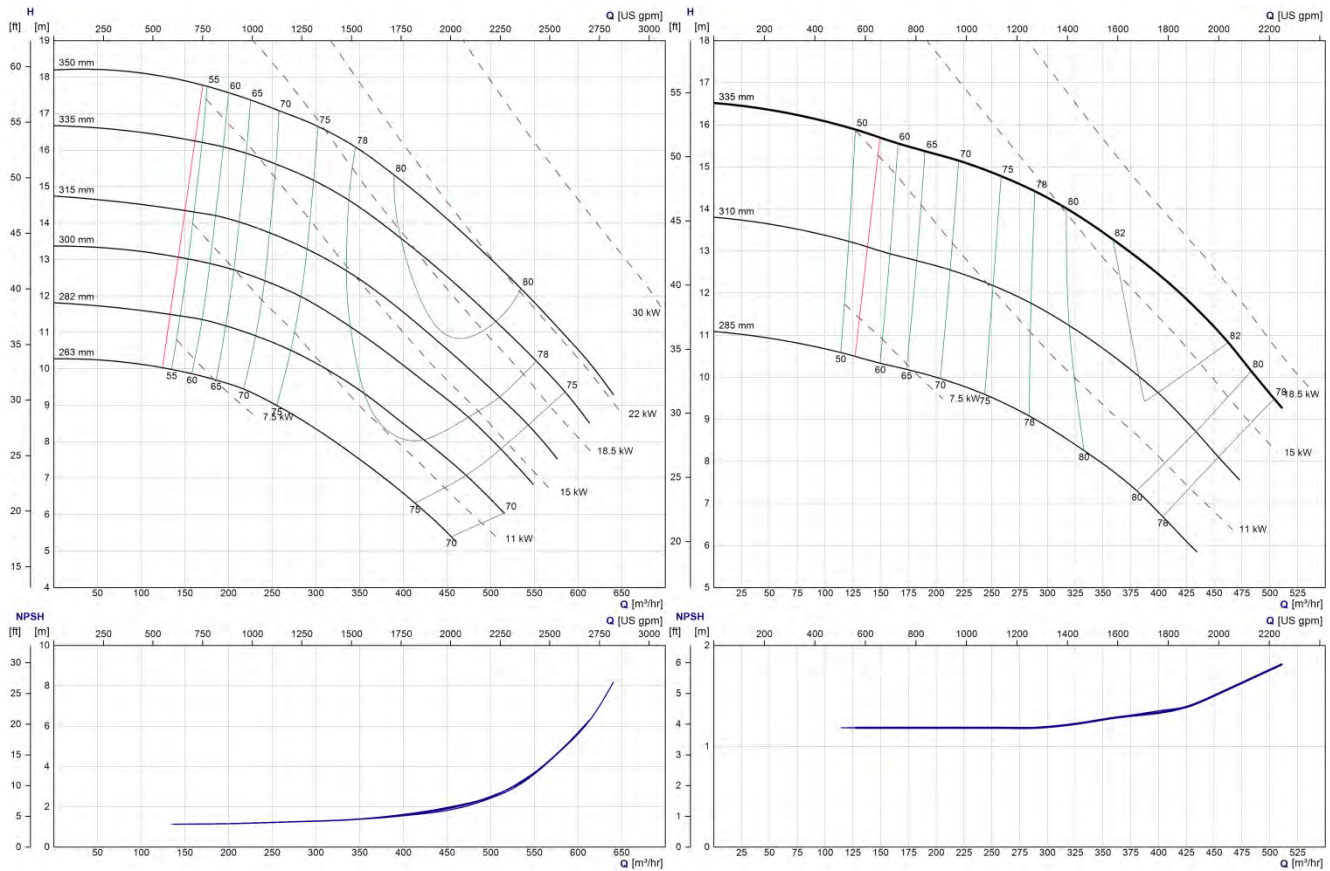
## e-HSC 6-Pole: 200-200 & 200-190 (8x8x8 & 8x8x7.5)



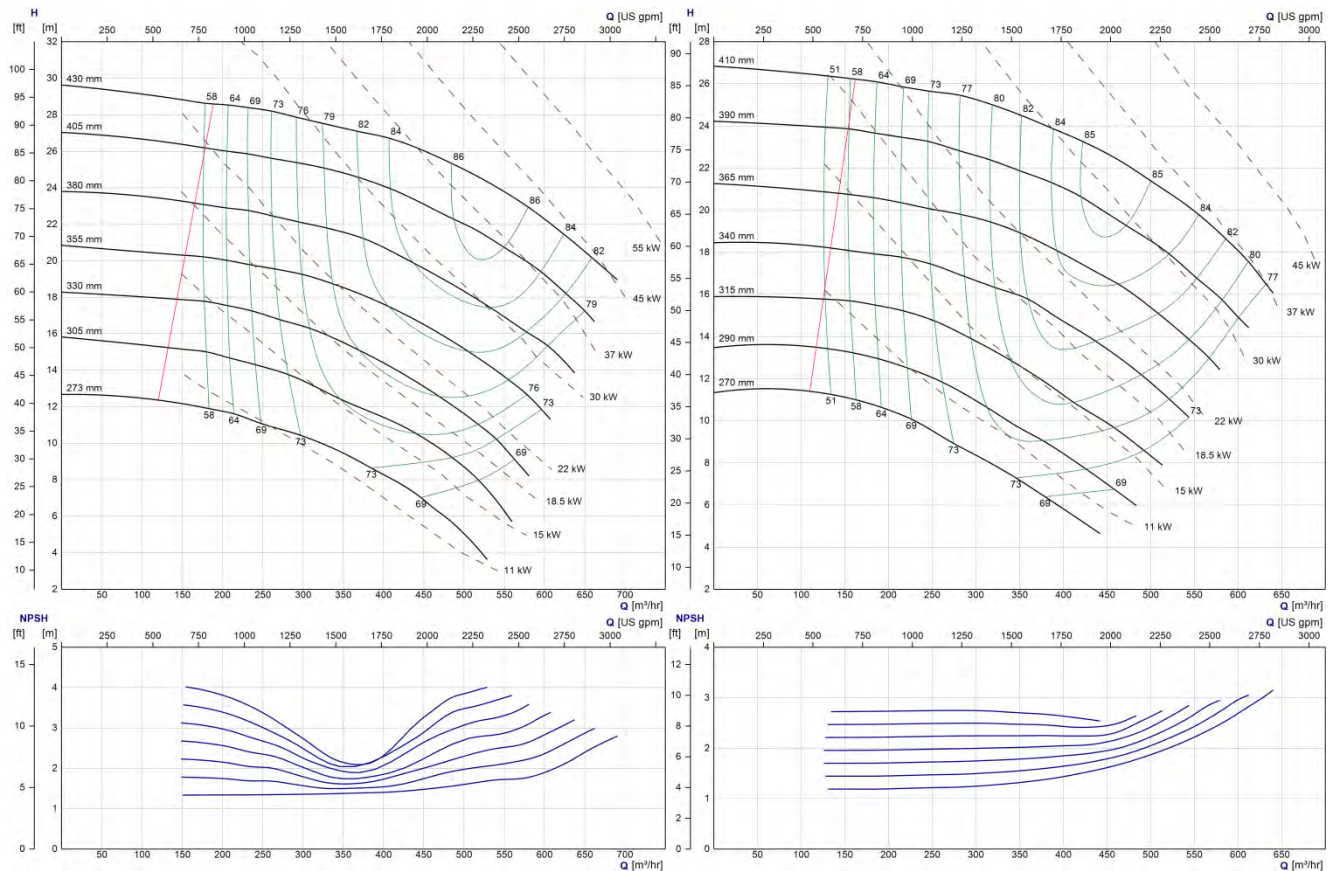
## e-HSC 6-Pole: 200-250 & 200-235 (8x10x10 & 8x10x9.5)



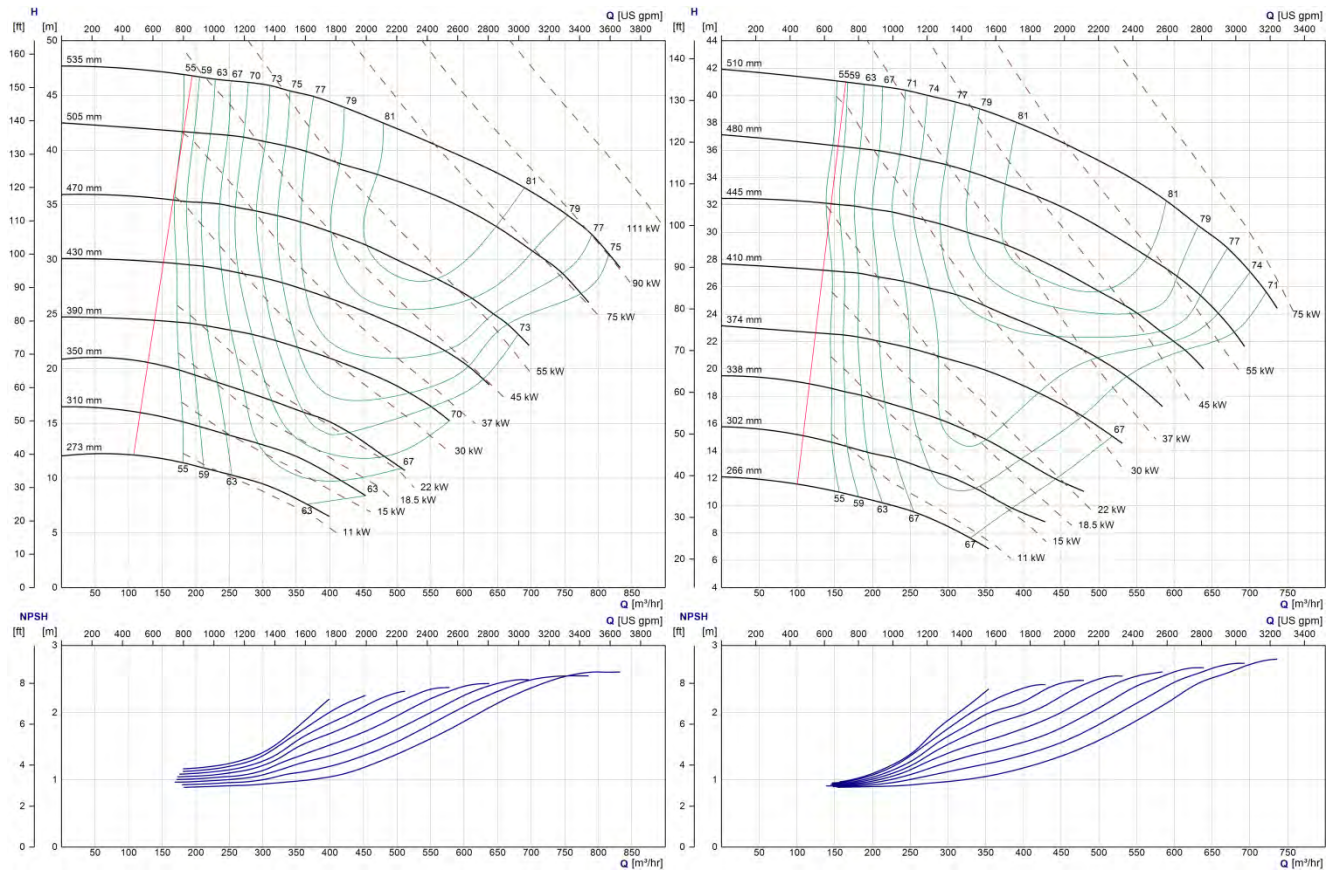
## e-HSC 6-Pole: 200-345 & 200-330 (8x10x13.5 & 8x10x13)



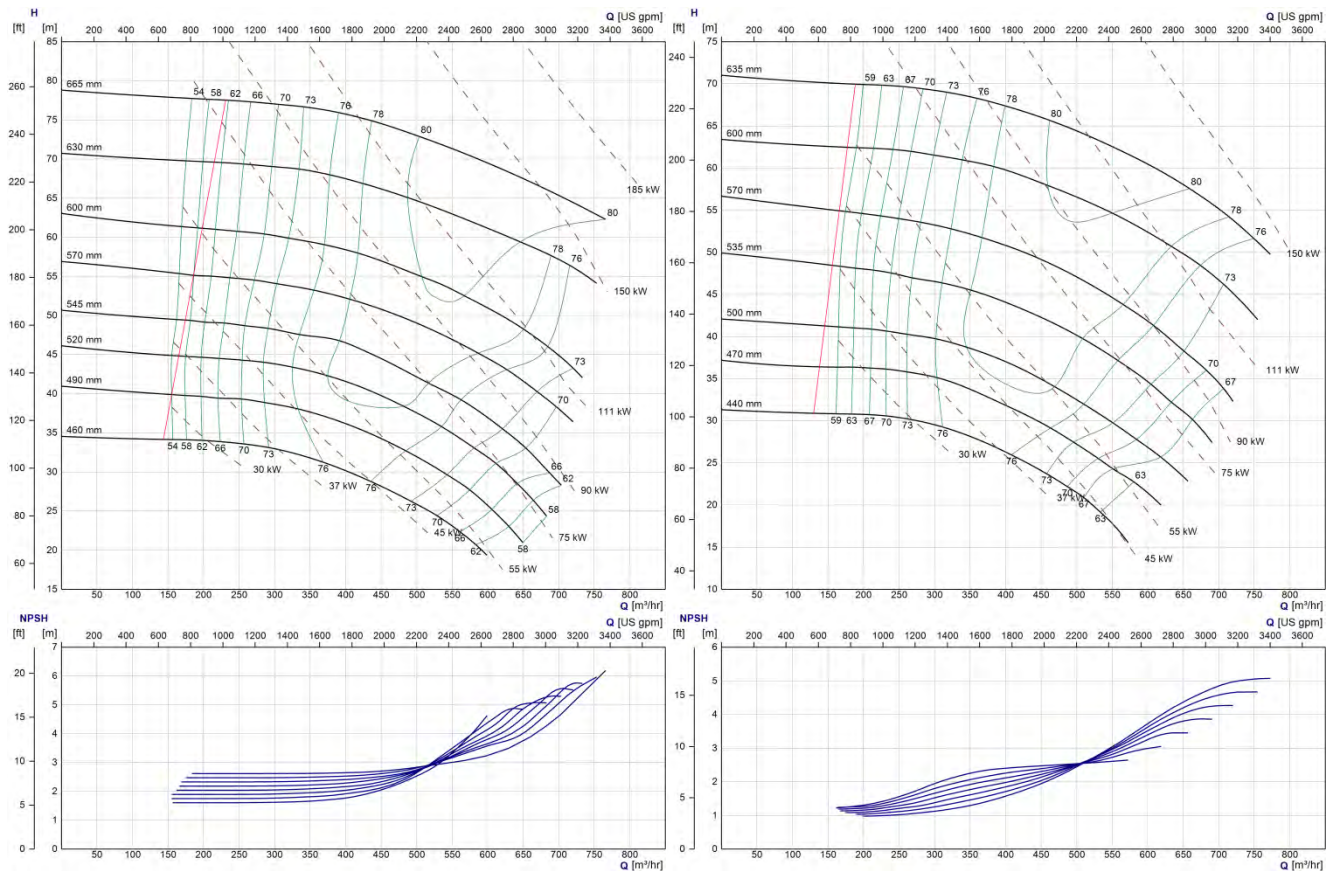
## e-HSC 6-Pole: 200-425 & 200-405 (8x10x17 & 8x10x16)



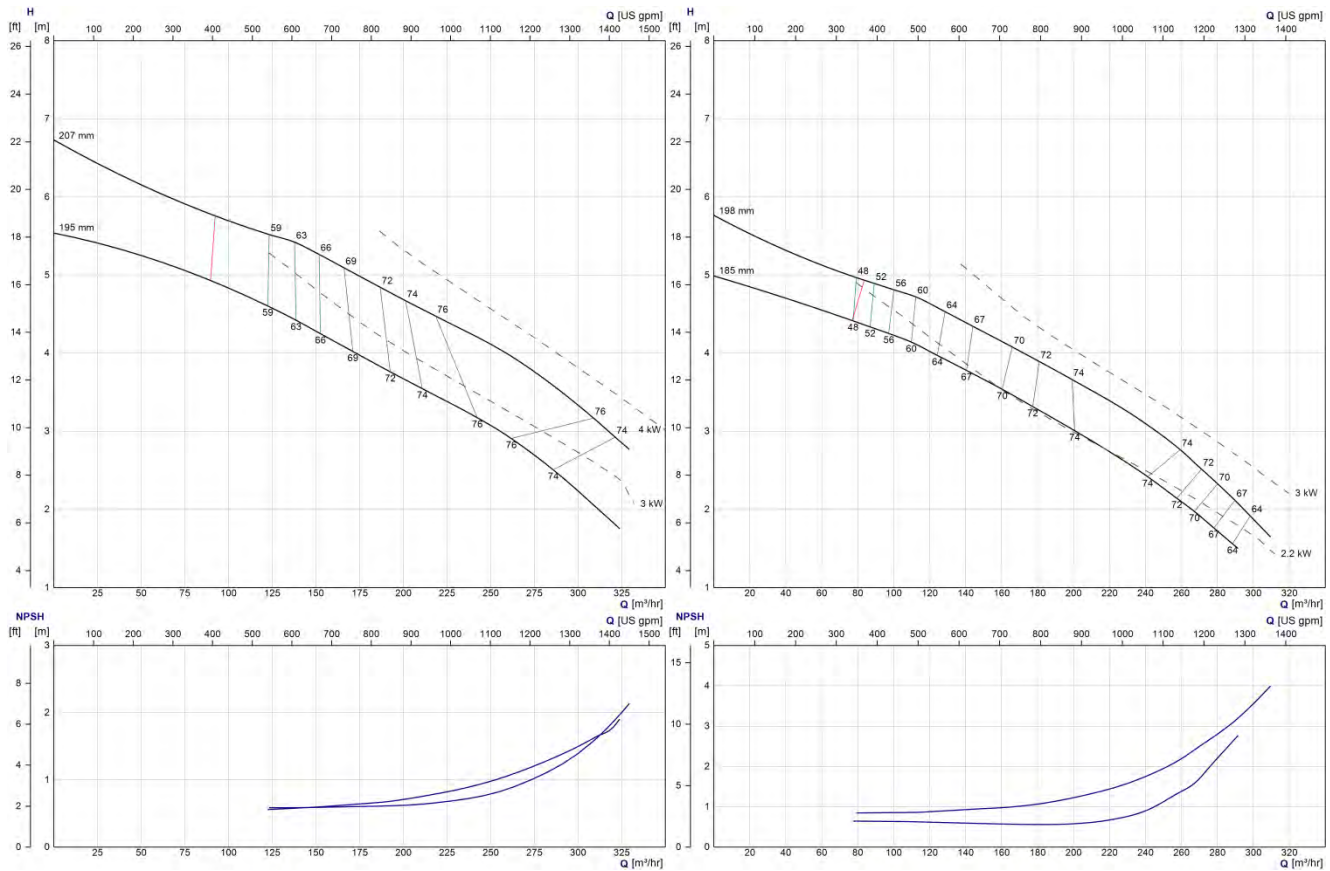
## e-HSC 6-Pole: 200-530 & 200-505 (8x10x21 & 8x10x20)



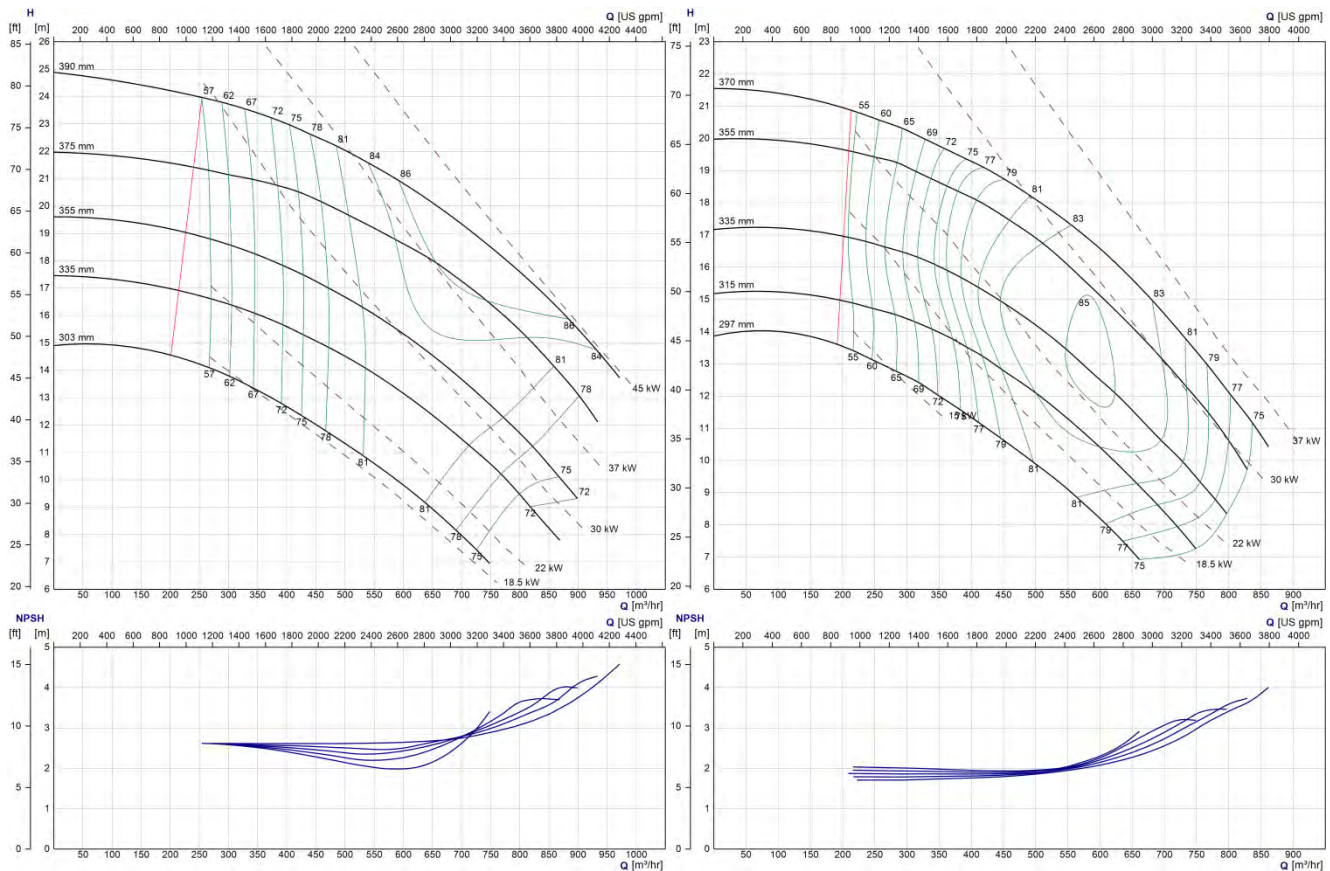
## e-HSC 6-Pole: 200-655 & 200-625 (8x10x26 & 8x10x25)



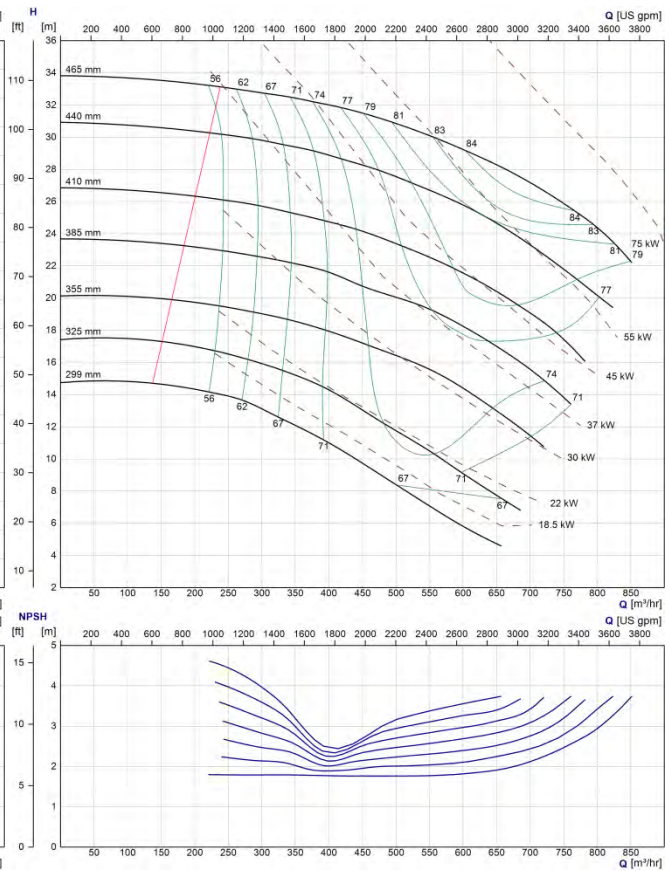
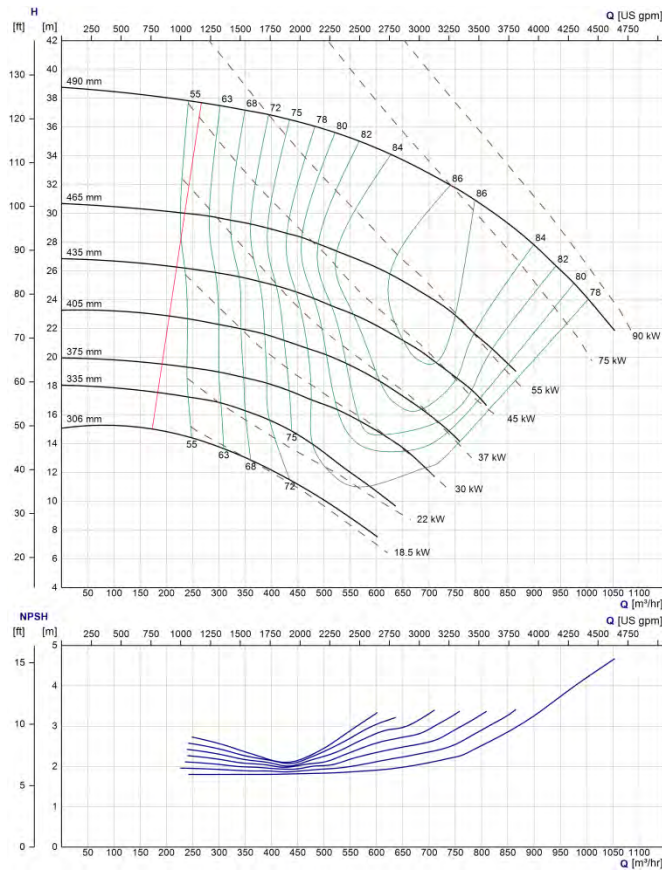
## e-HSC 6-Pole: 250-200 & 250-190 (10x10x8 & 10x10x7.5)



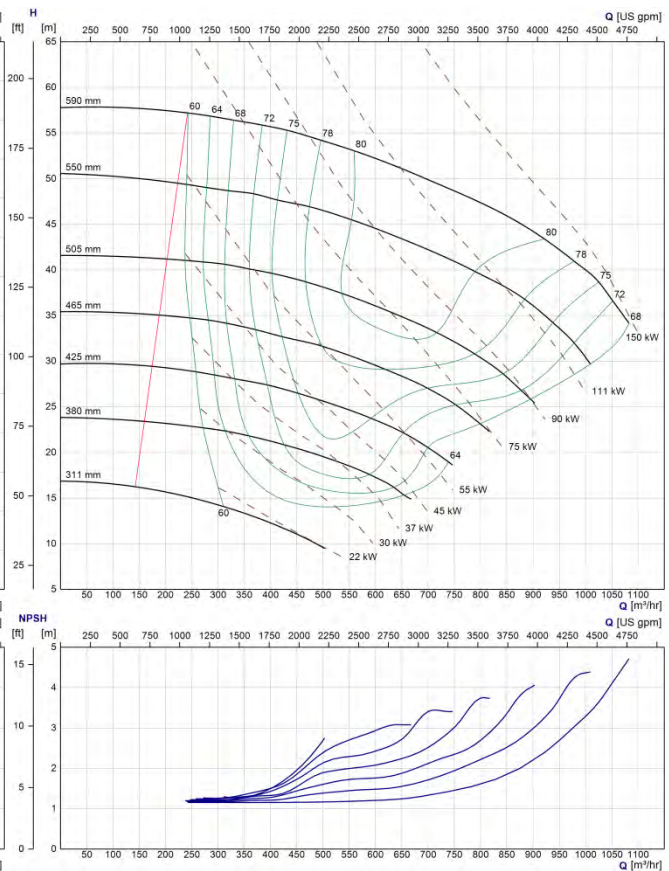
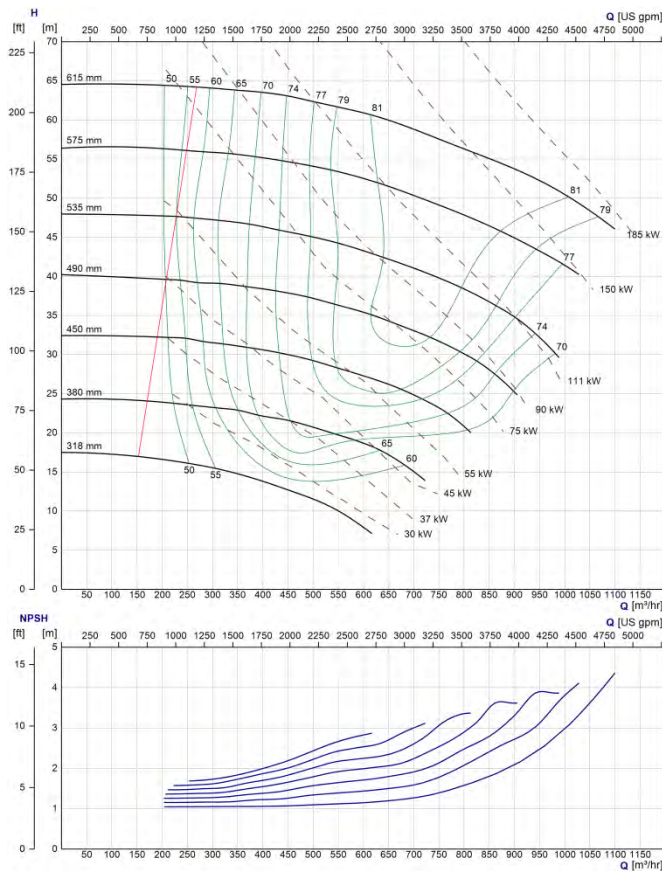
## e-HSC 6-Pole: 250-390 & 250-370 (10x12x15.5 & 10x12x14.5)



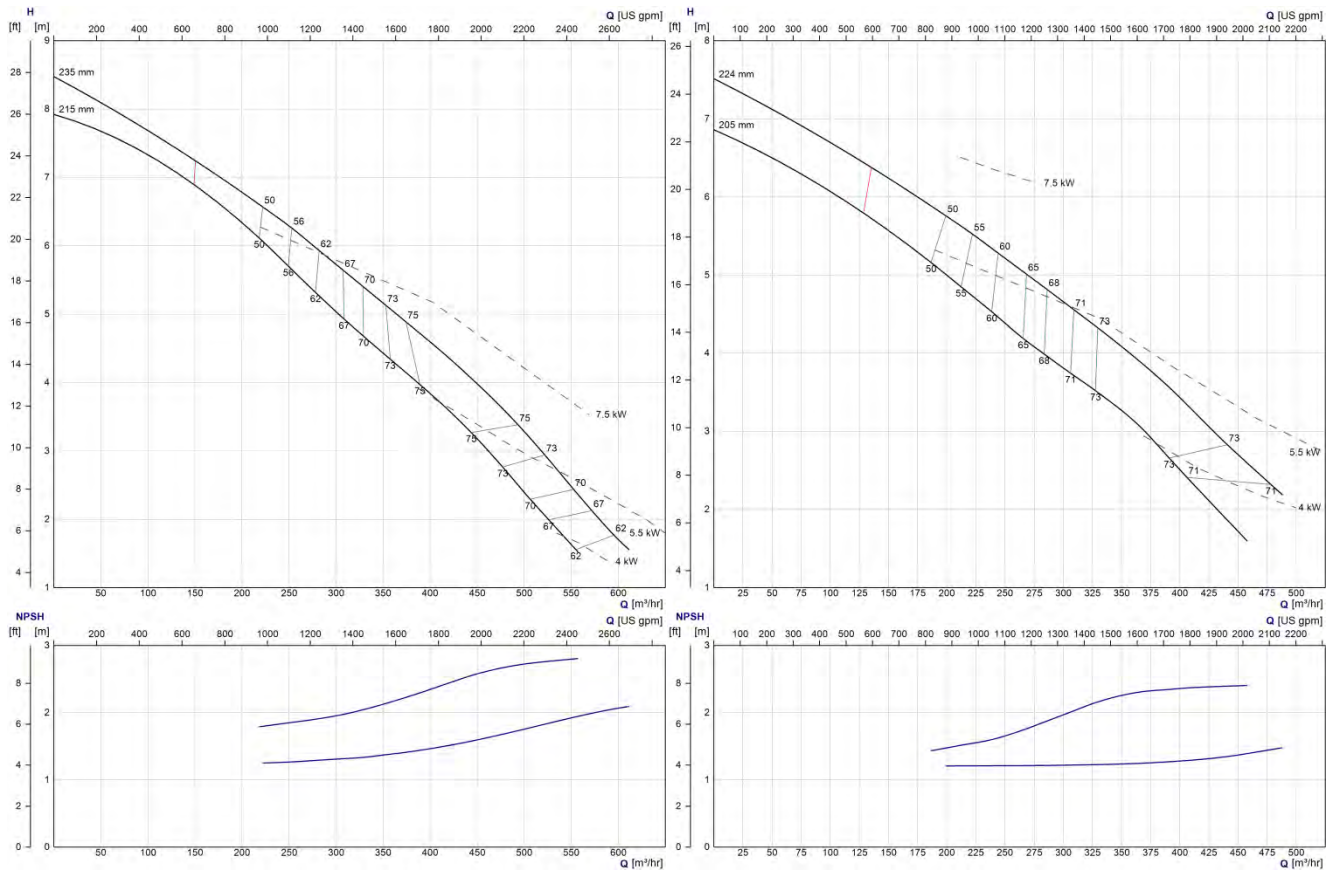
## e-HSC 6-Pole: 250-480 & 250-455 (10x12x19 & 10x12x18)



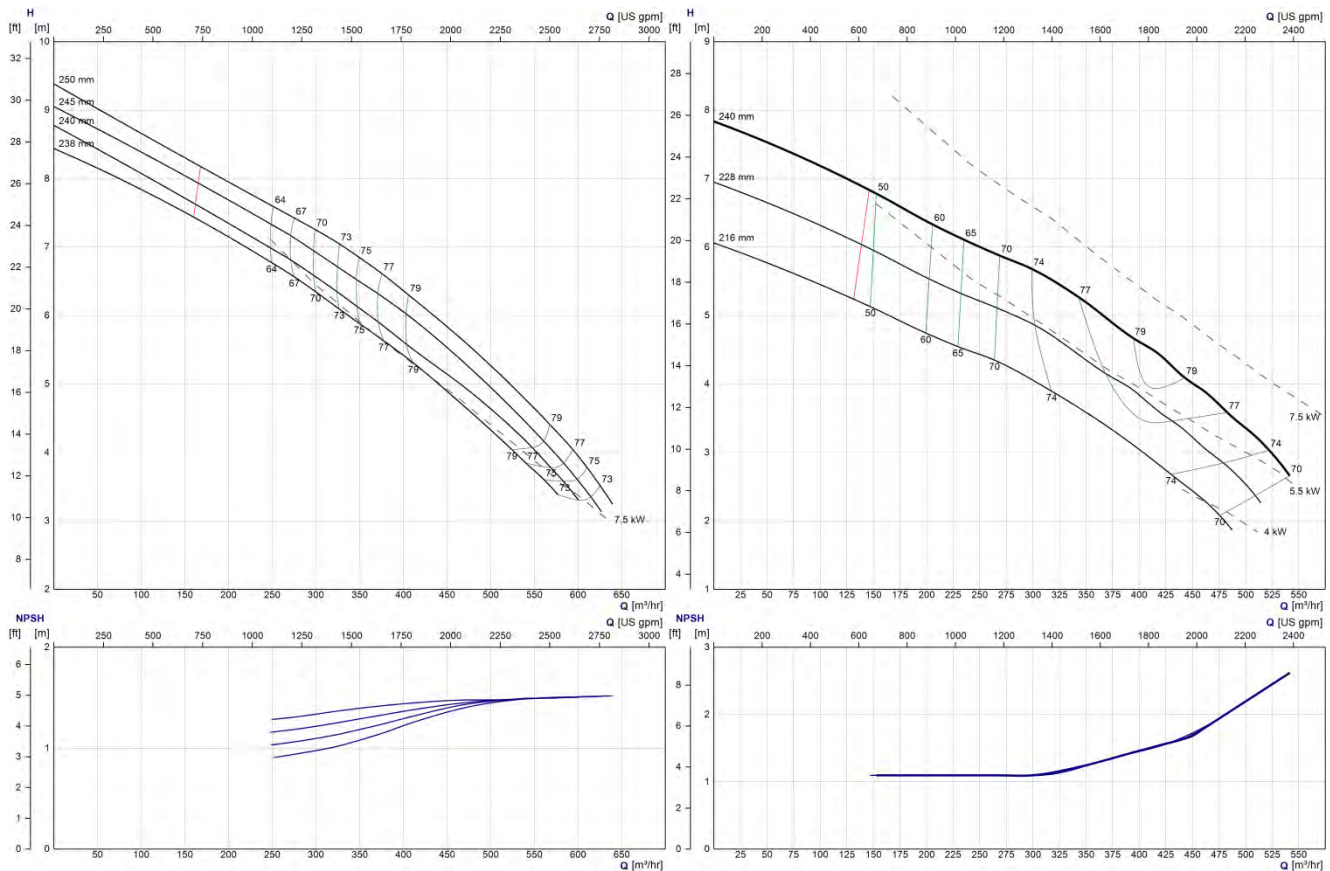
## e-HSC 6-Pole: 250-610 & 250-580 (10x12x24 & 10x12x23)



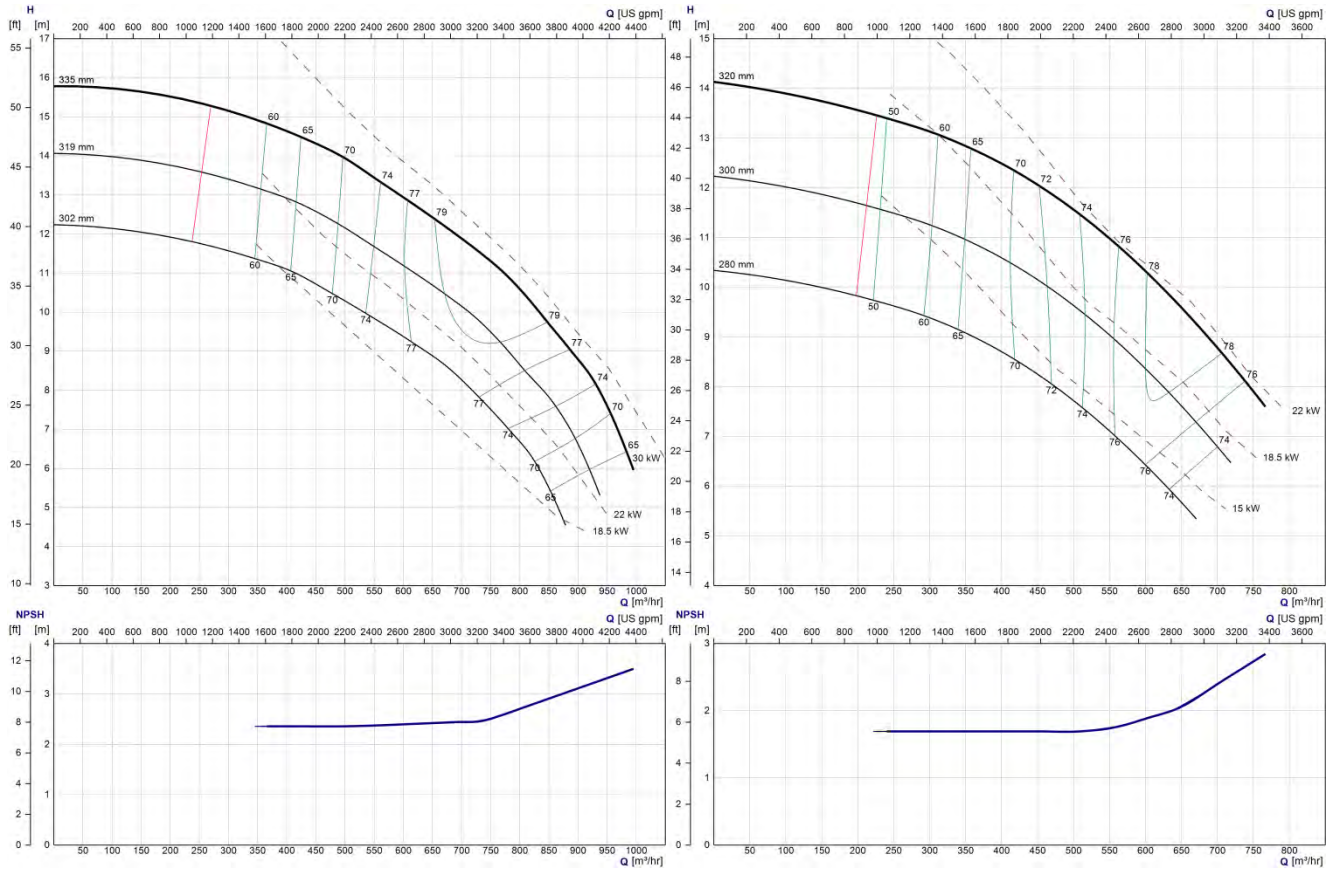
## e-HSC 6-Pole: 300-225 & 300-215 (12x12x9 & 12x12x8.5)



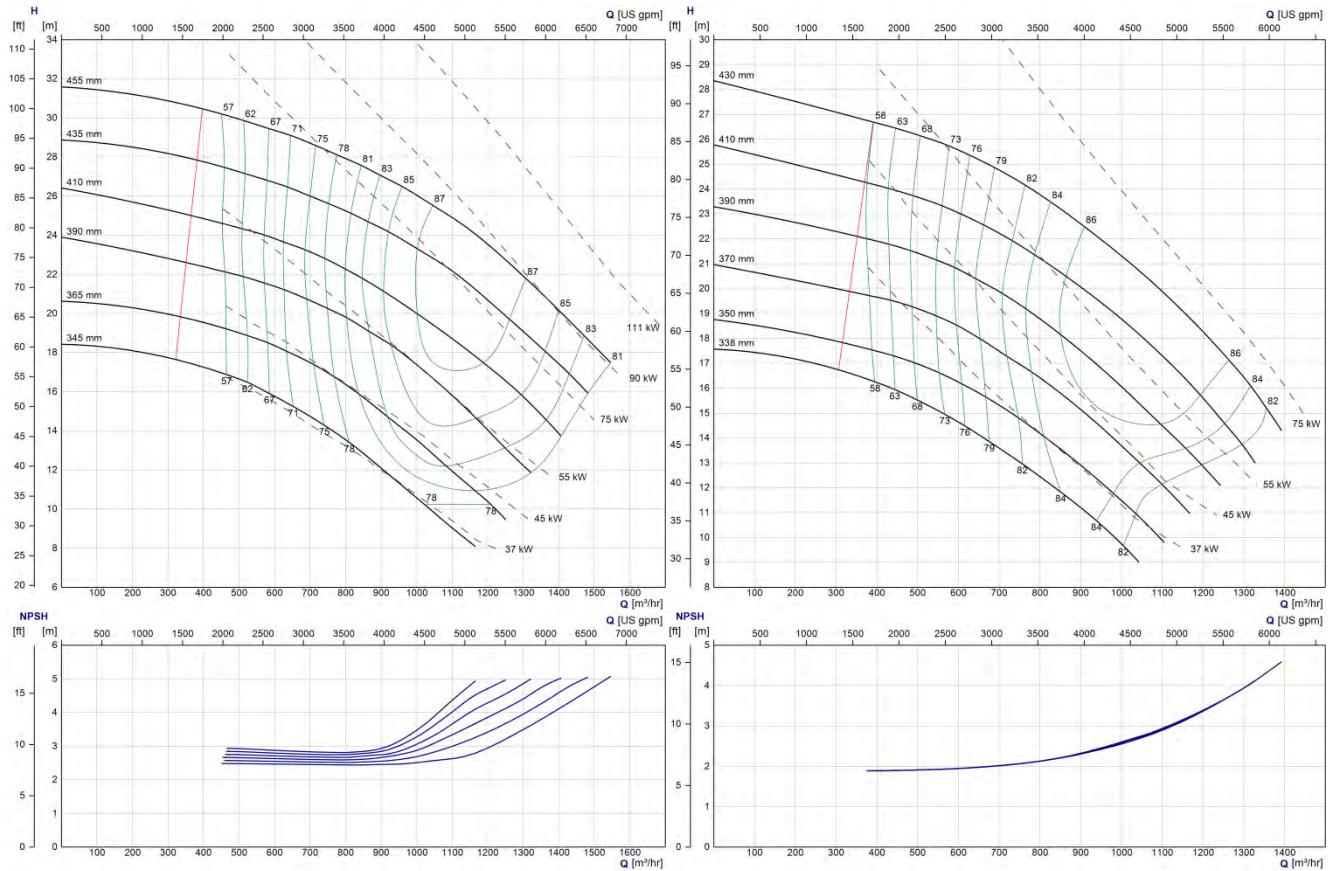
## e-HSC 6-Pole: 300-255 & 300-245 (12x12x10 & 12x12x9.5)



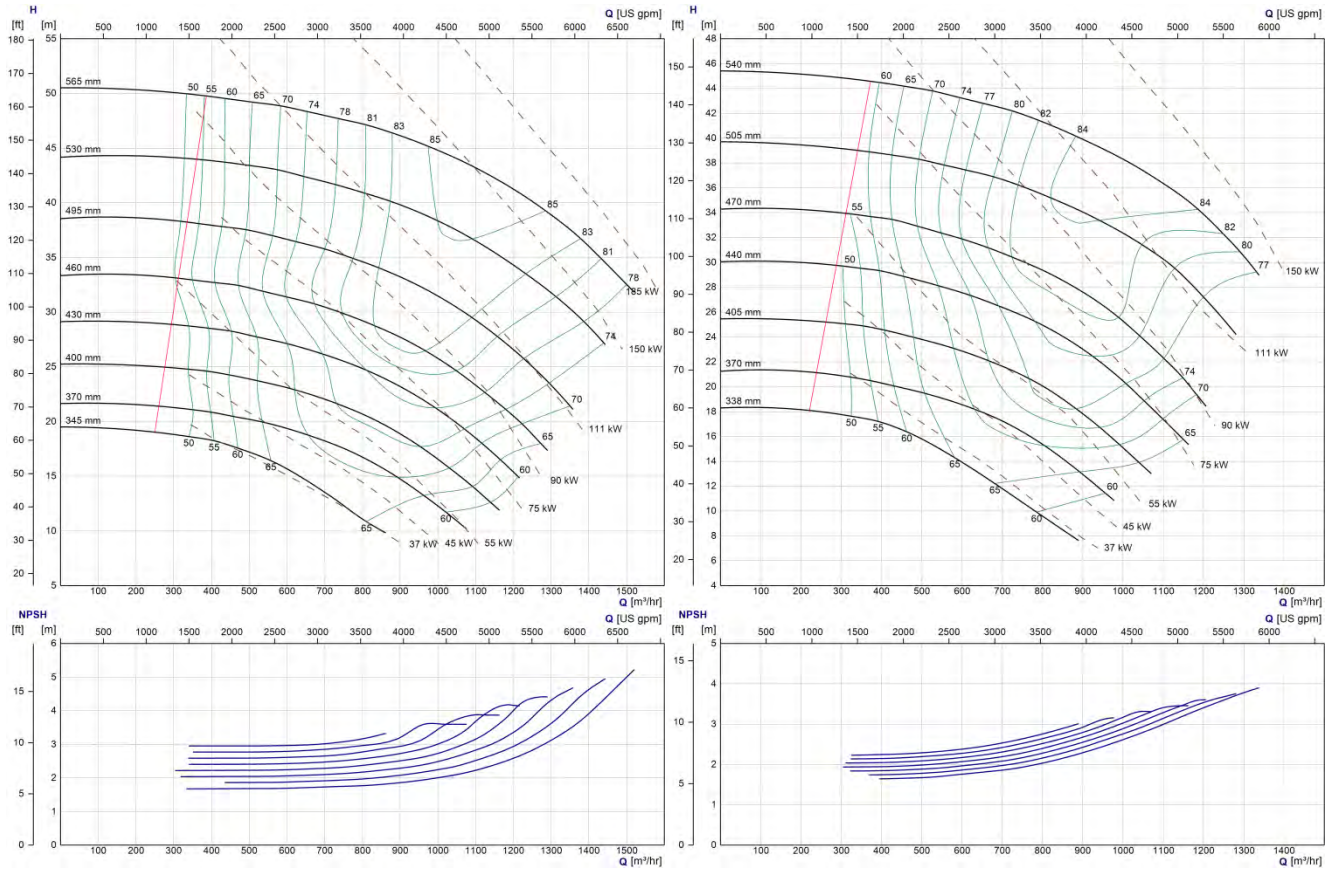
## e-HSC 6-Pole: 300-330 & 300-315 (12x14x13 & 12x14x12.5)



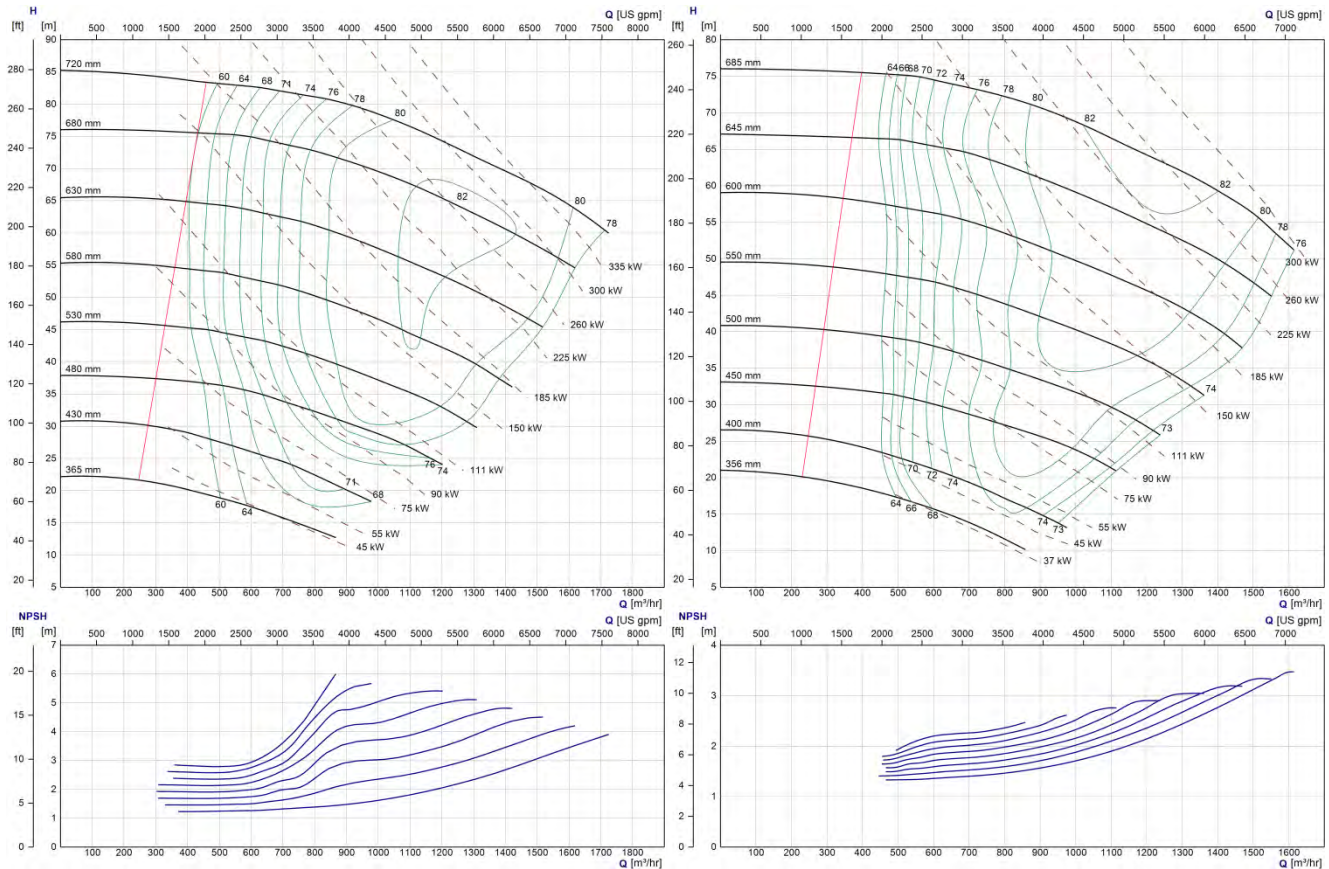
## e-HSC 6-Pole: 300-450 & 300-430 (12x16x18 & 12x16x17)



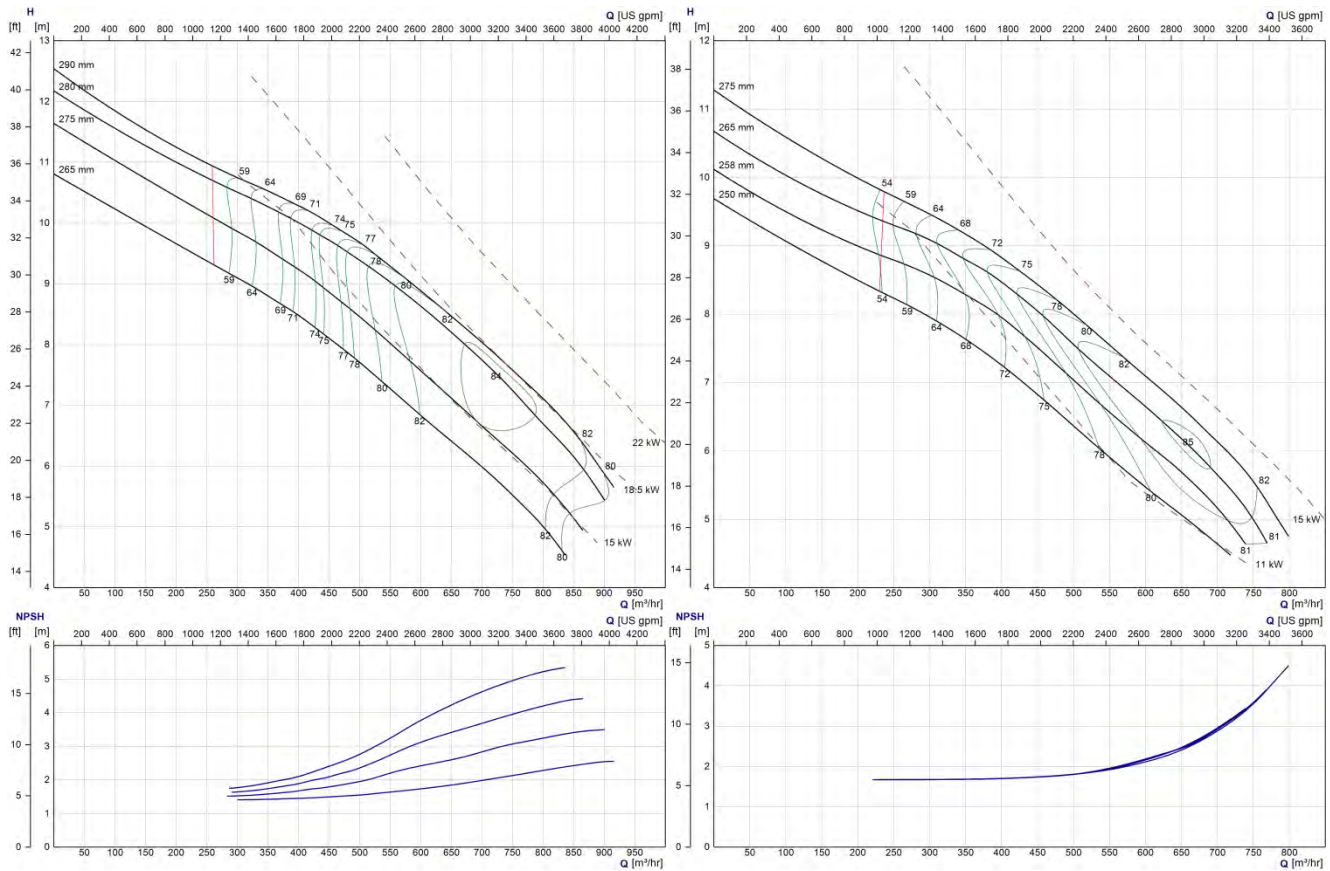
## e-HSC 6-Pole: 300-550 & 300-525 (12x16x22 & 12x16x21)



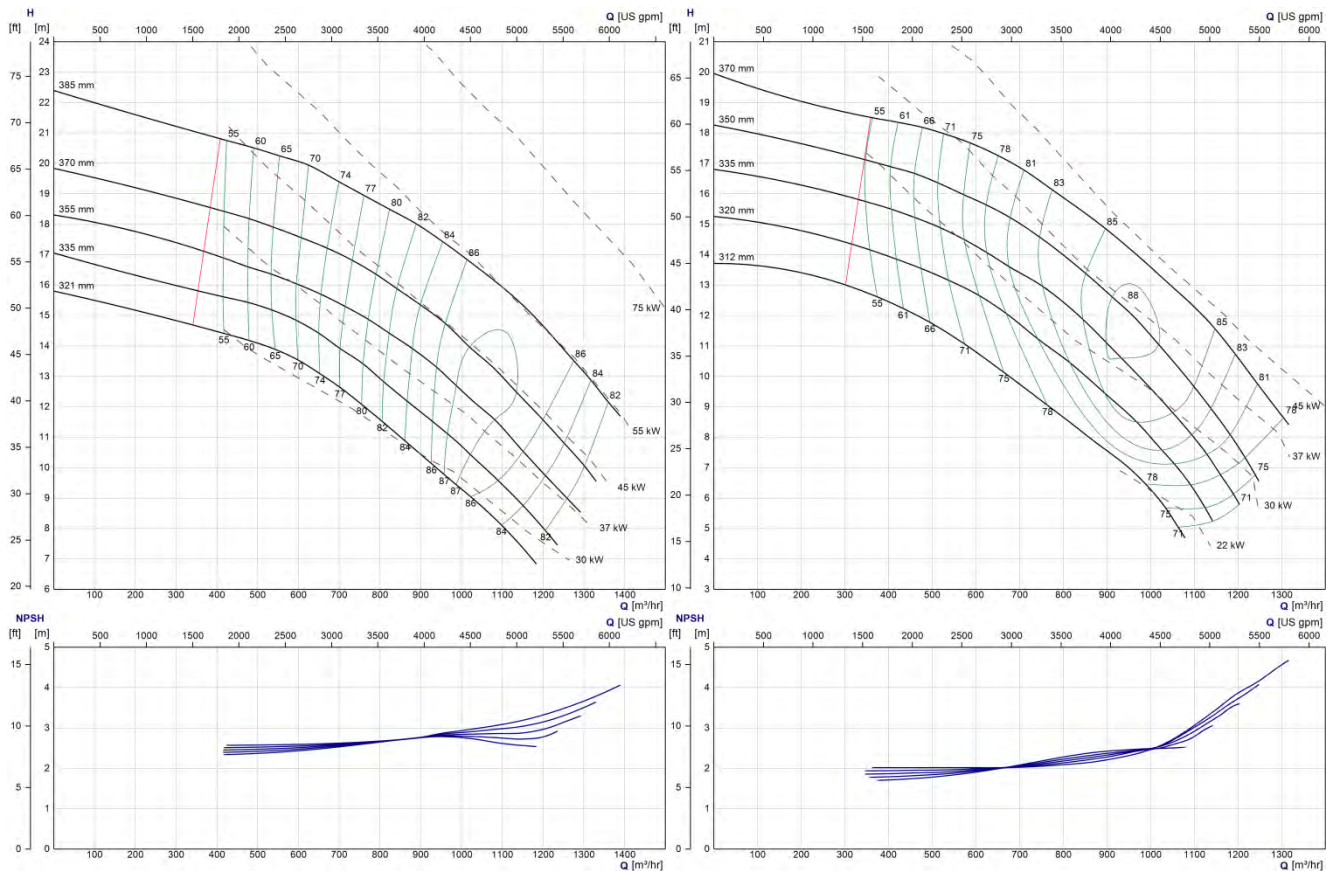
## e-HSC 6-Pole: 300-705 & 300-670 (12x16x28 & 12x16x27)



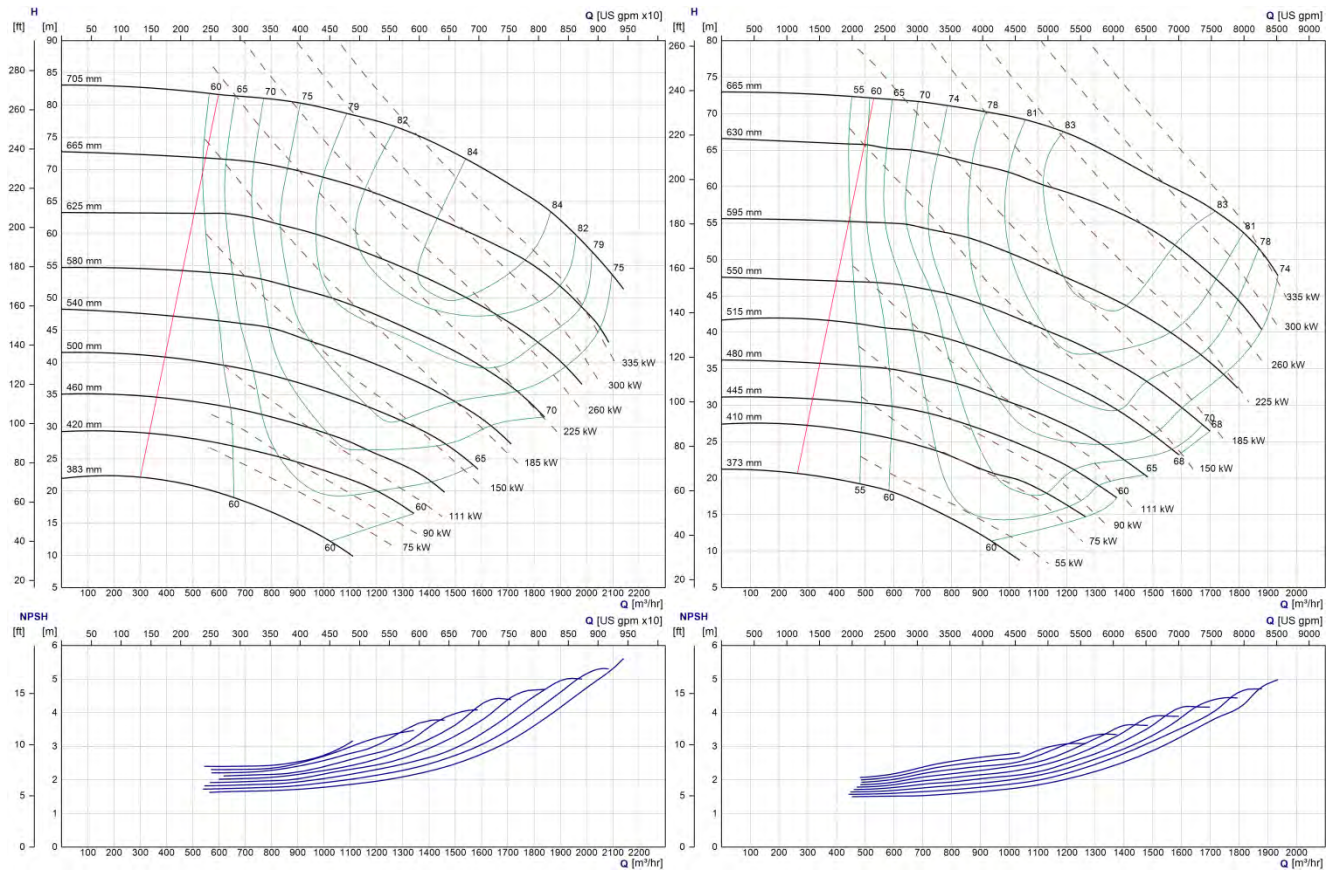
## e-HSC 6-Pole: 350-300 & 350-285 (14x14x12 & 14x14x11)



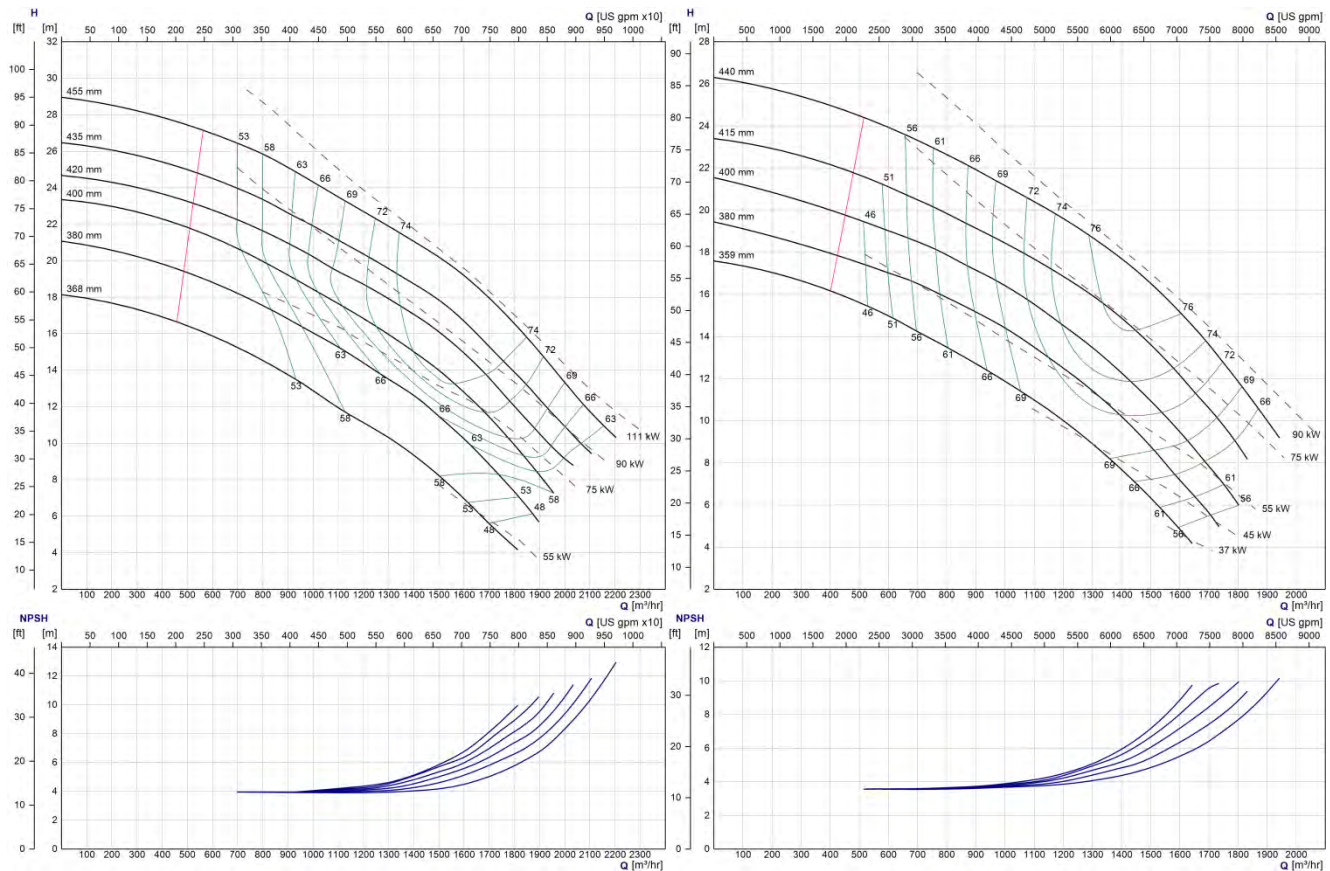
## e-HSC 6-Pole: 350-385 & 350-365 (14x16x15 & 14x16x14.5)



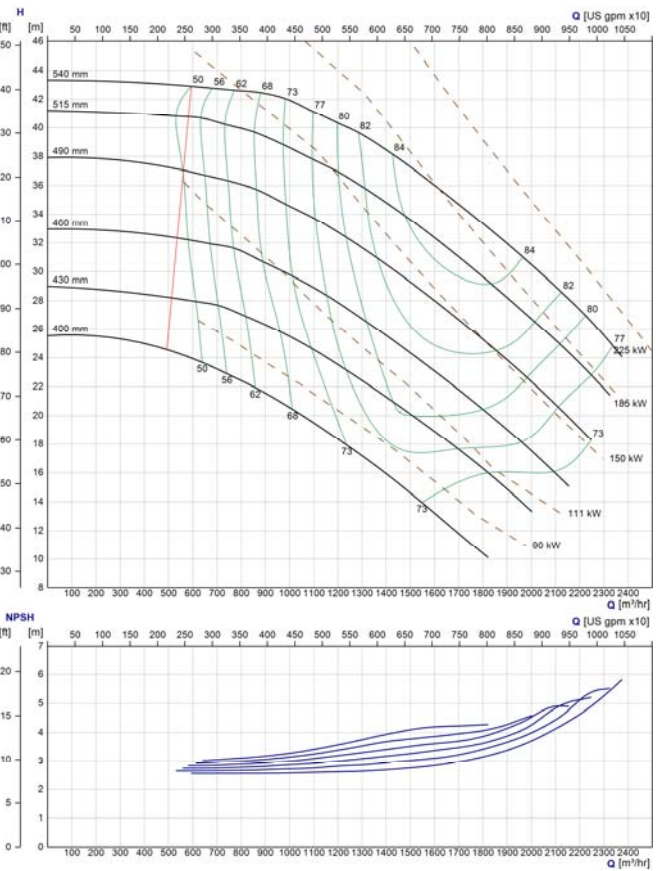
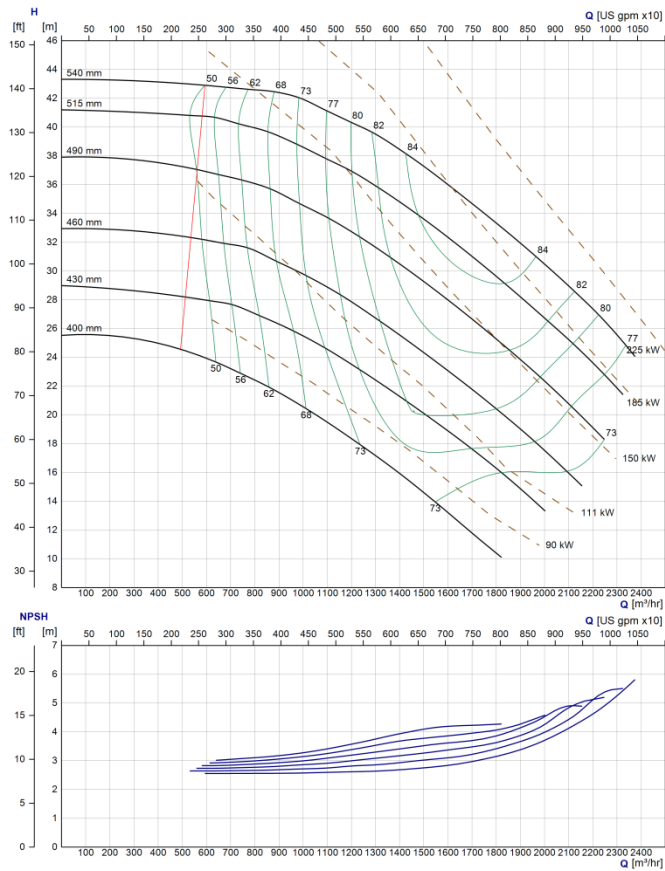
## e-HSC 6-Pole: 350-690 & 350-655 (14x16x27.5 & 14x16x26)



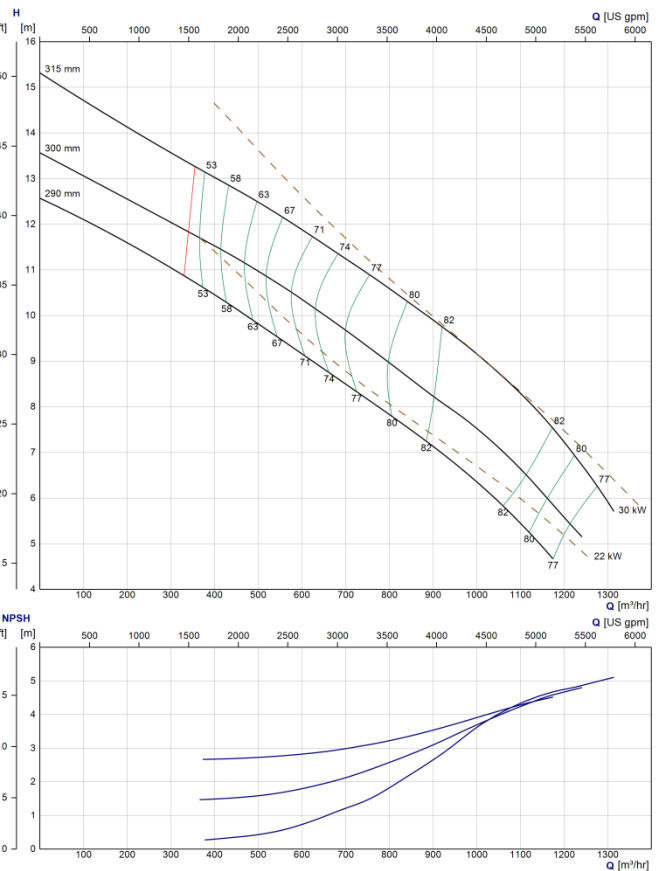
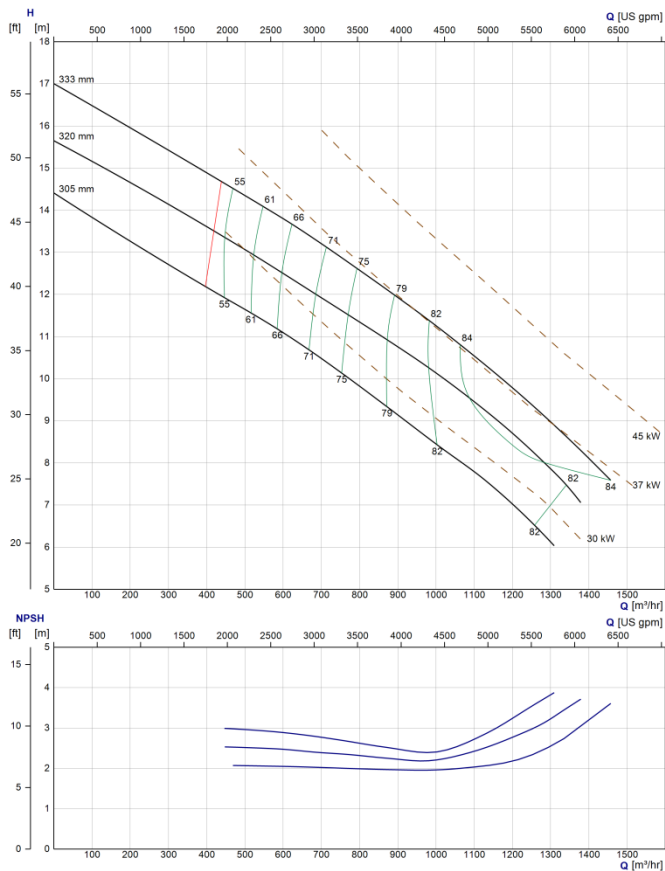
## e-HSC 6-Pole: 350-450 & 350-430 (14x18x18 & 14x18x17)



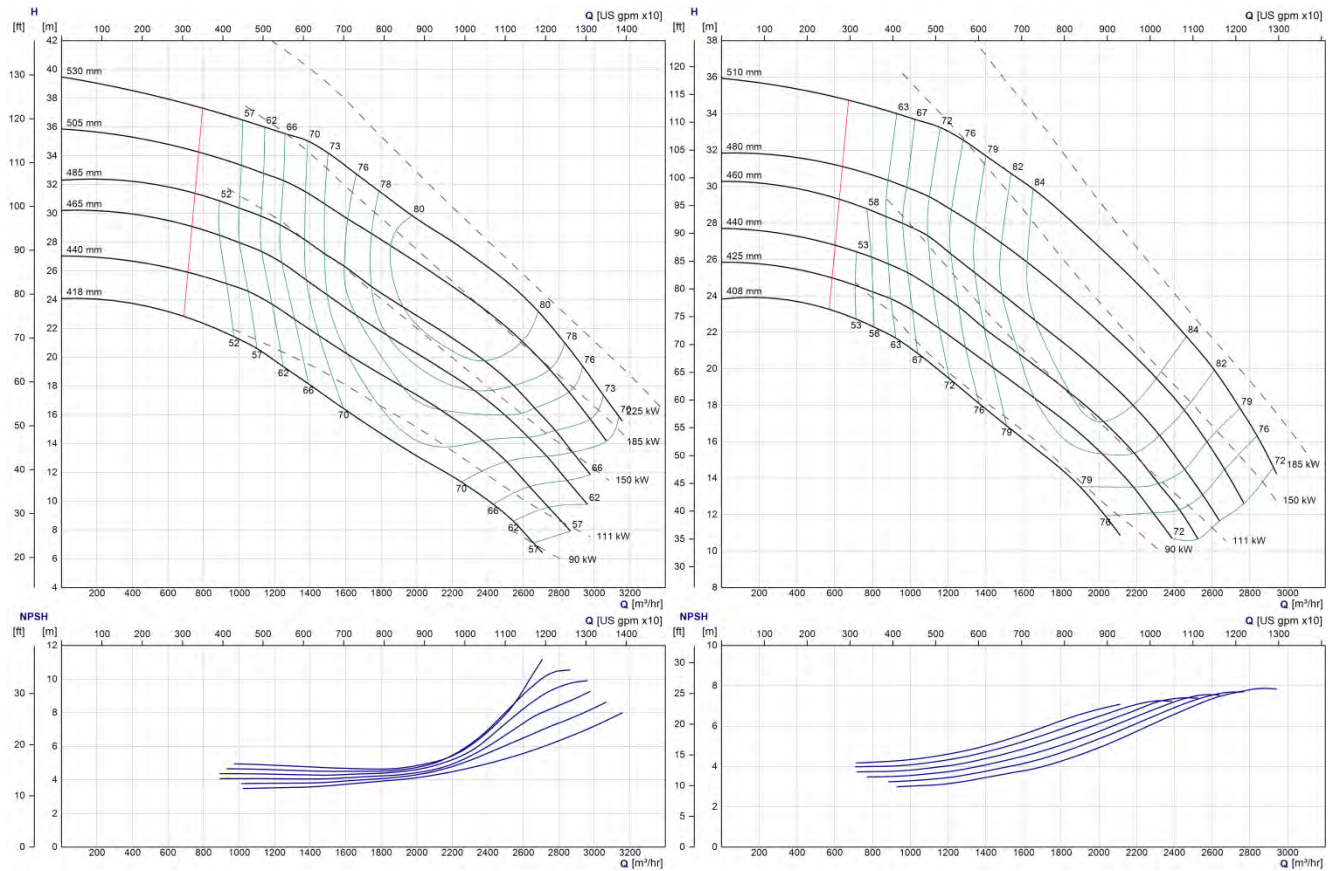
## e-HSC 6-Pole: 350-530 & 350-505 (14x18x21 & 14x18x20)



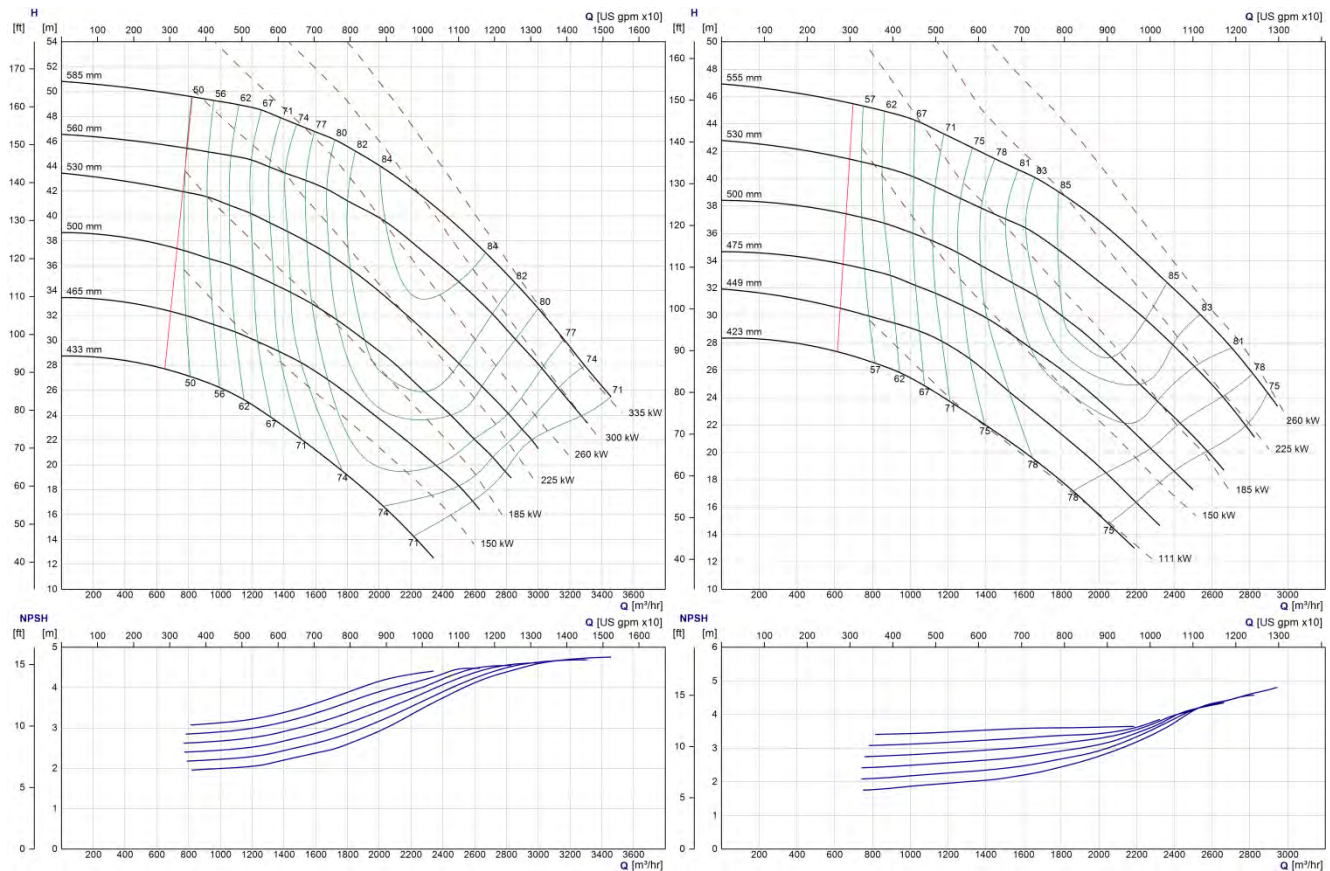
## e-HSC 6-Pole: 400-340 & 400-325 (16x16x13.5 & 16x16x13)



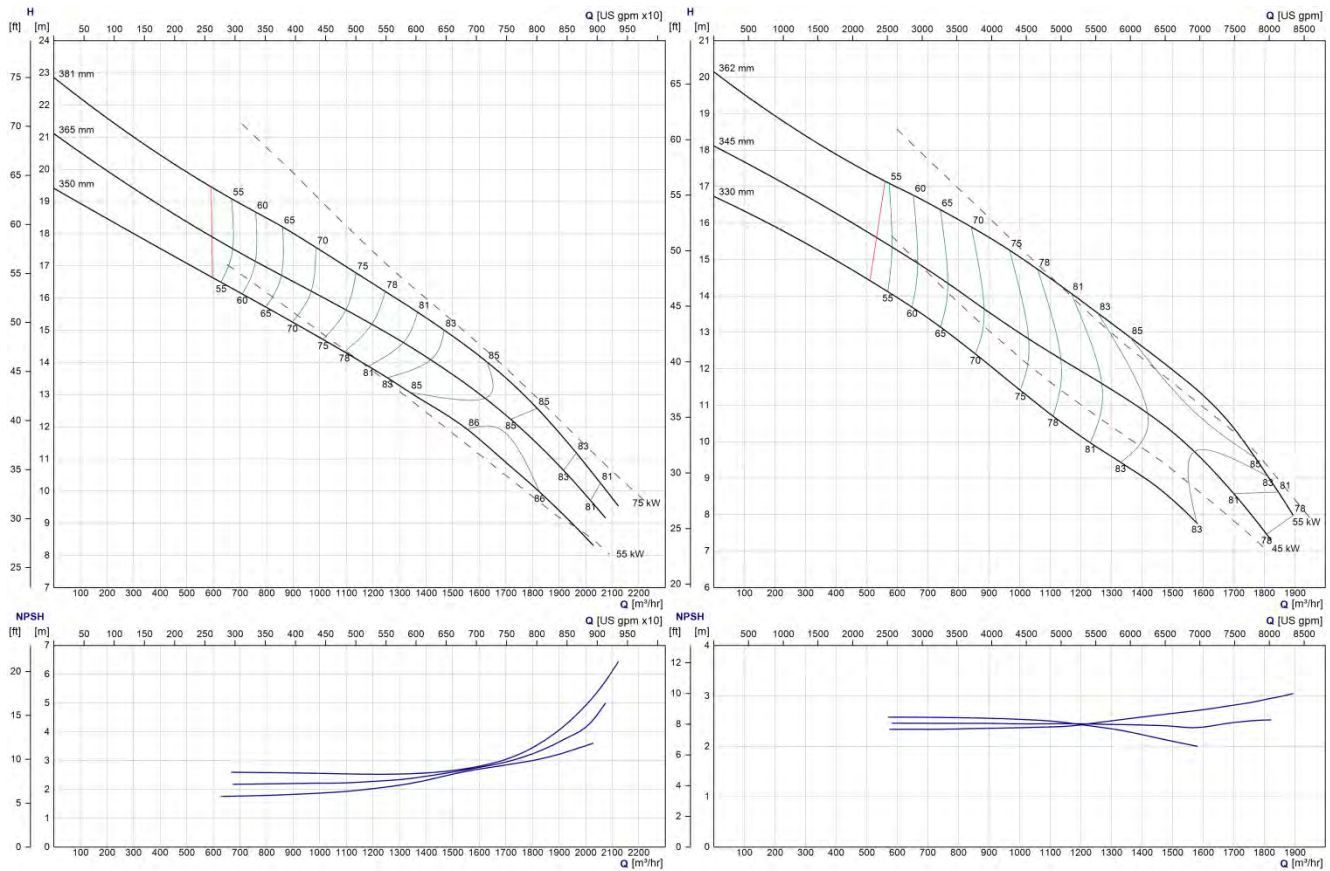
## e-HSC 6-Pole: 400-525 & 400-500 (16x20x20.5 & 16x20x19.5)



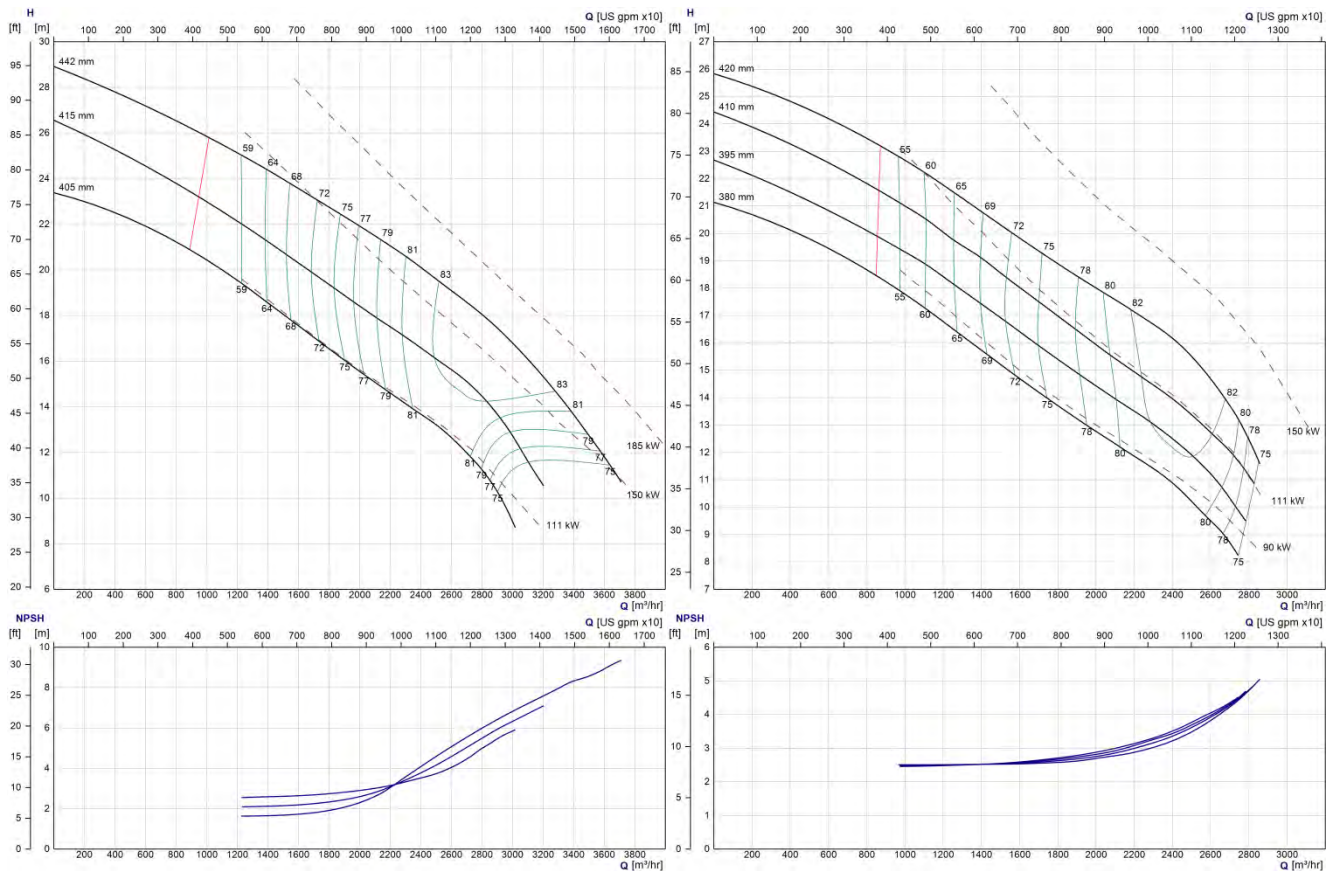
## e-HSC 6-Pole: 400-580 & 400-550 (16x20x23 & 16x20x22)



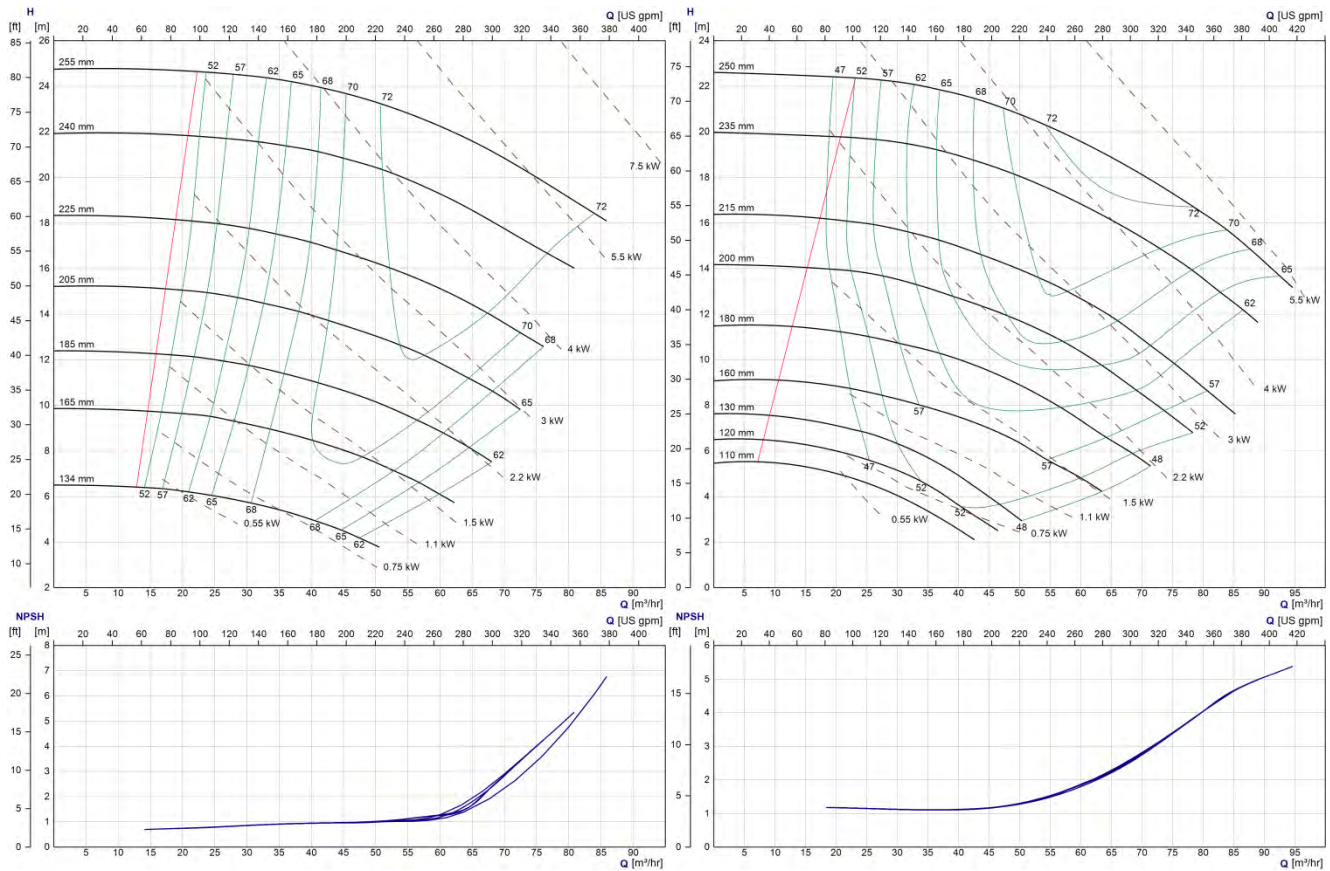
## e-HSC 6-Pole: 450-390 & 450-370 (18x20x15.5 & 18x20x14.5)



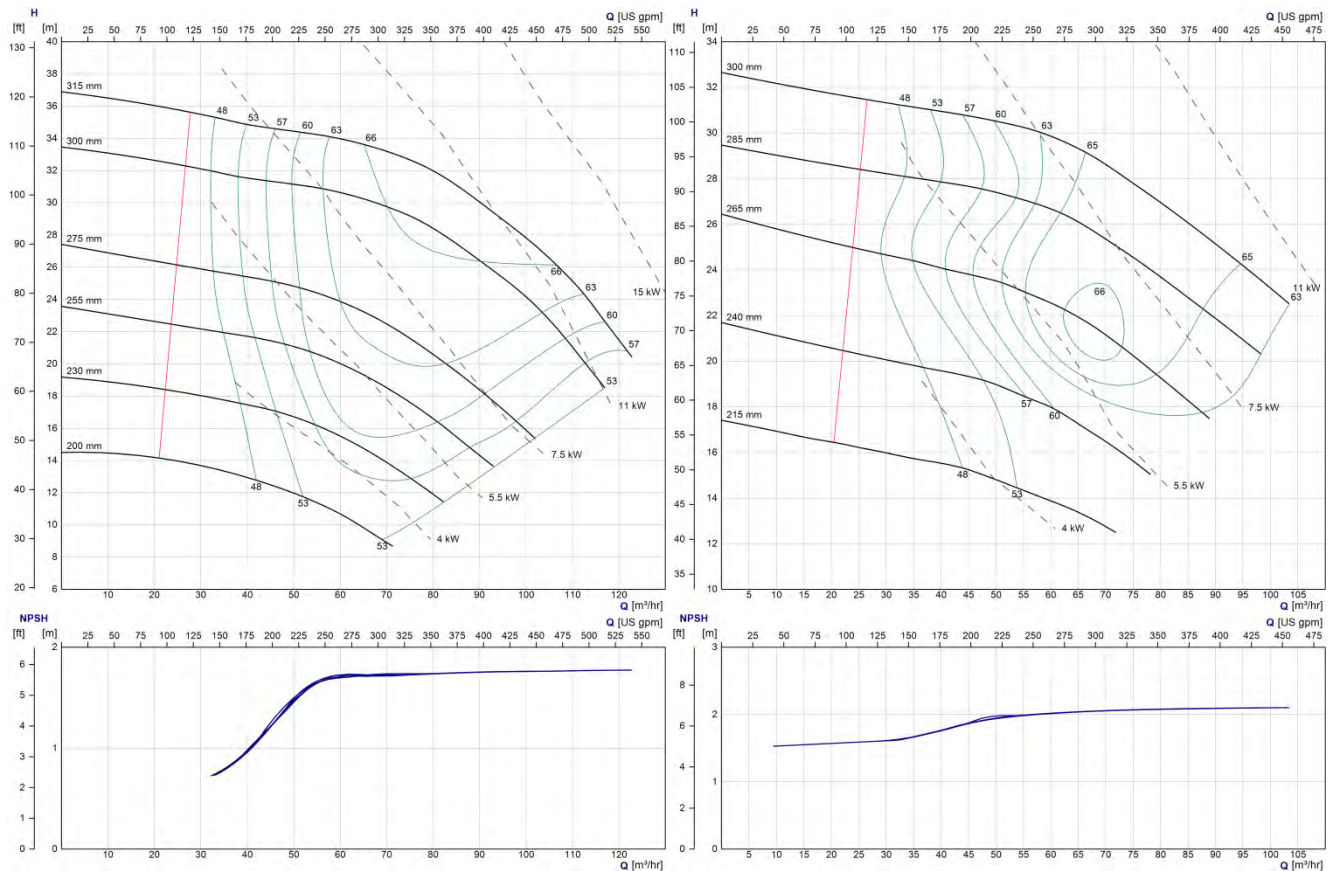
## e-HSC 6-Pole: 500-450 & 500-430 (20x24x18 & 20x24x17)



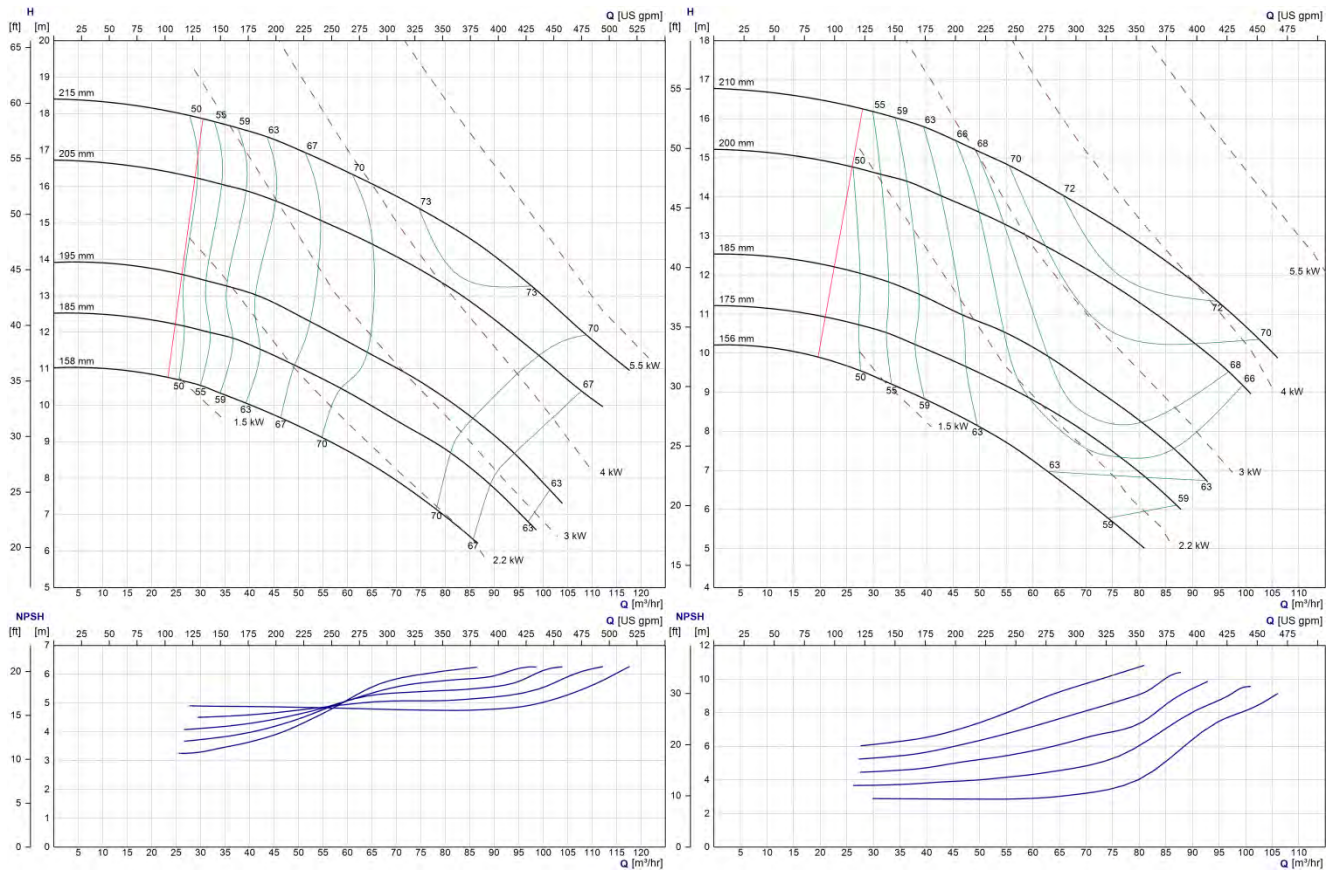
## e-HSC 4-Pole: 65-270 & 65-250 (2.5x4x10.5 & 2.5x4x10)



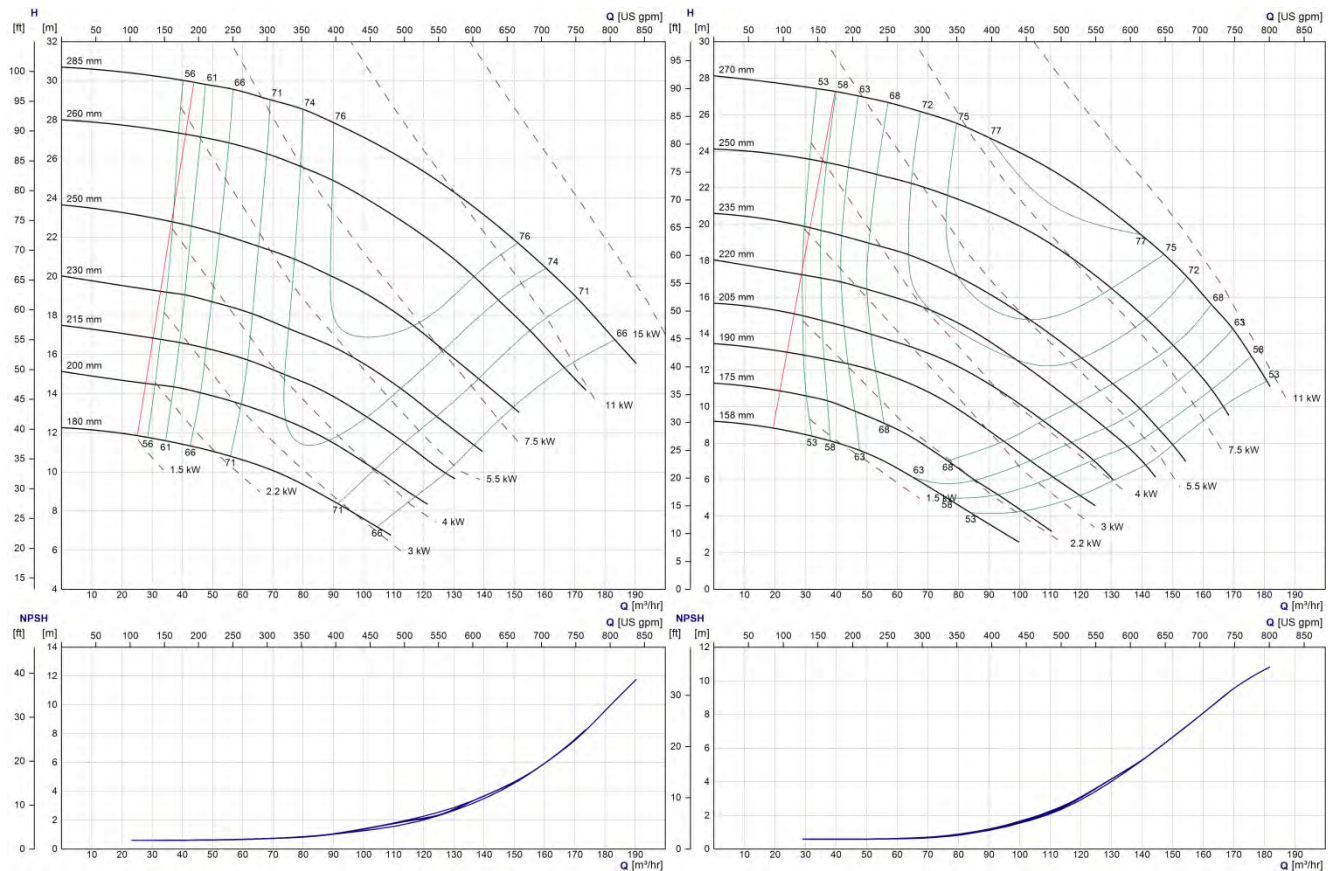
## e-HSC 4-Pole: 80-315 & 80-300 (3x4x12.5 & 3x4x12)



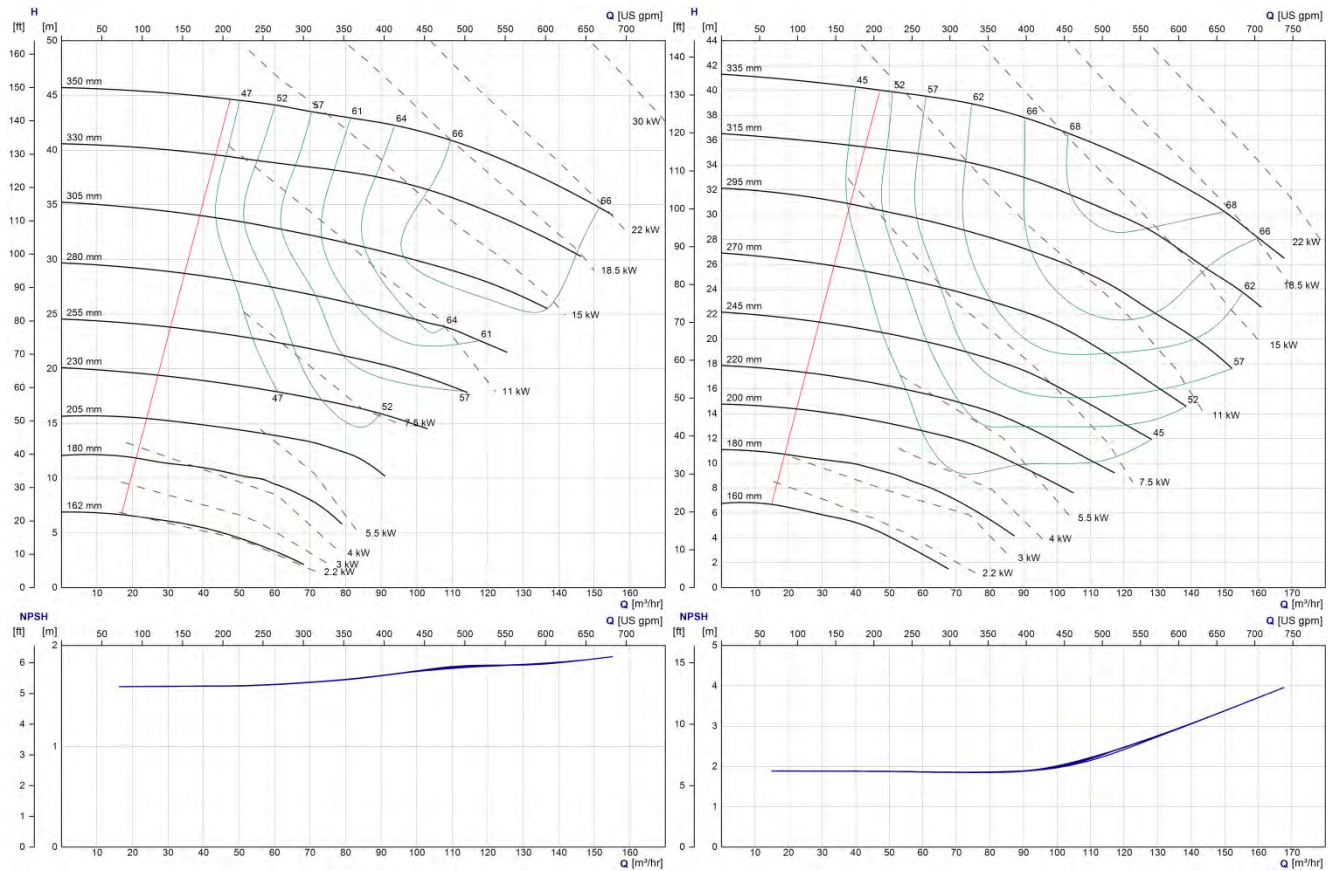
## e-HSC 4-Pole: 80-215 & 80-205 (3x5x8.5 & 3x5x8)



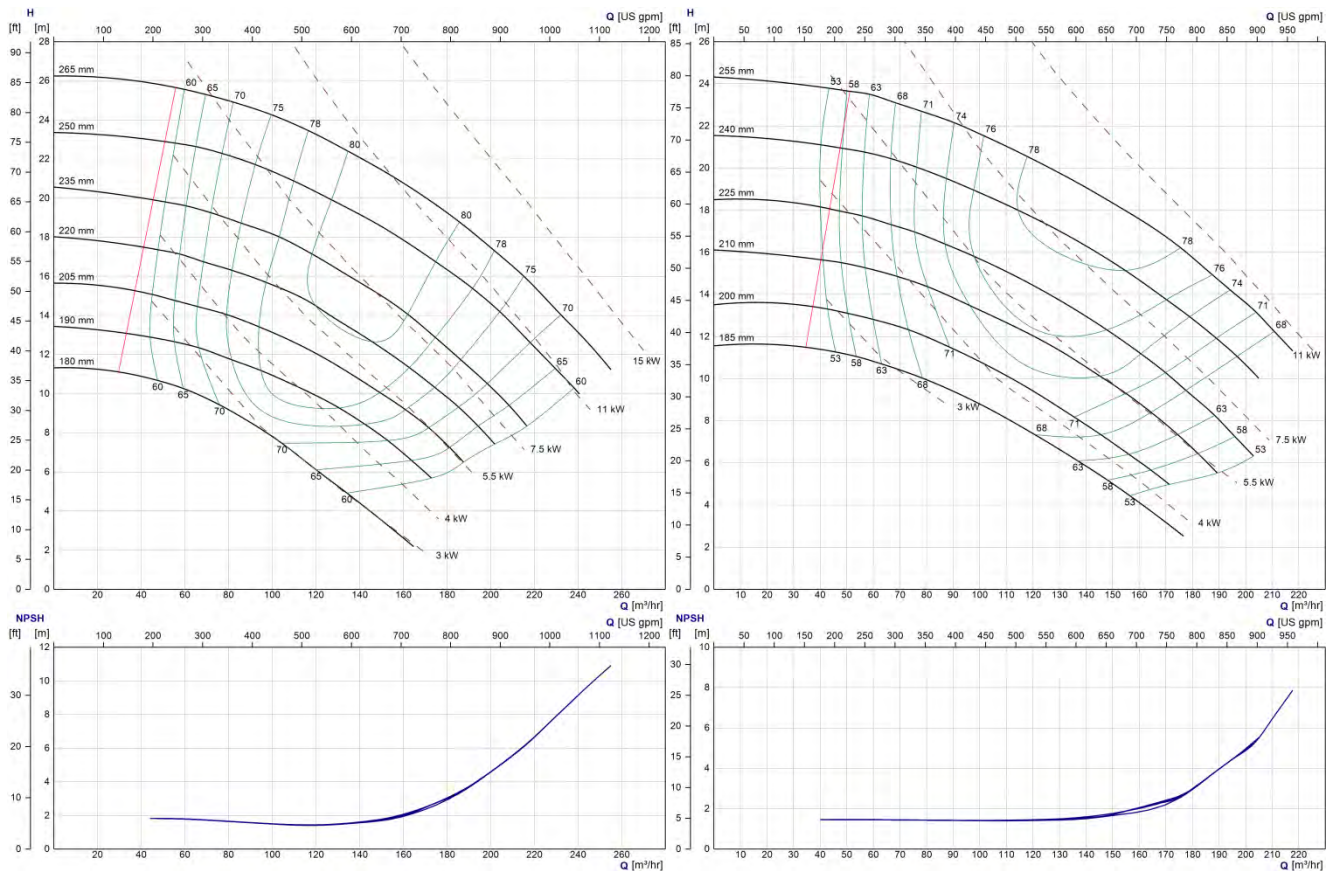
## e-HSC 4-Pole: 80-285 & 80-270 (3x5x11 & 3x5x10.5)



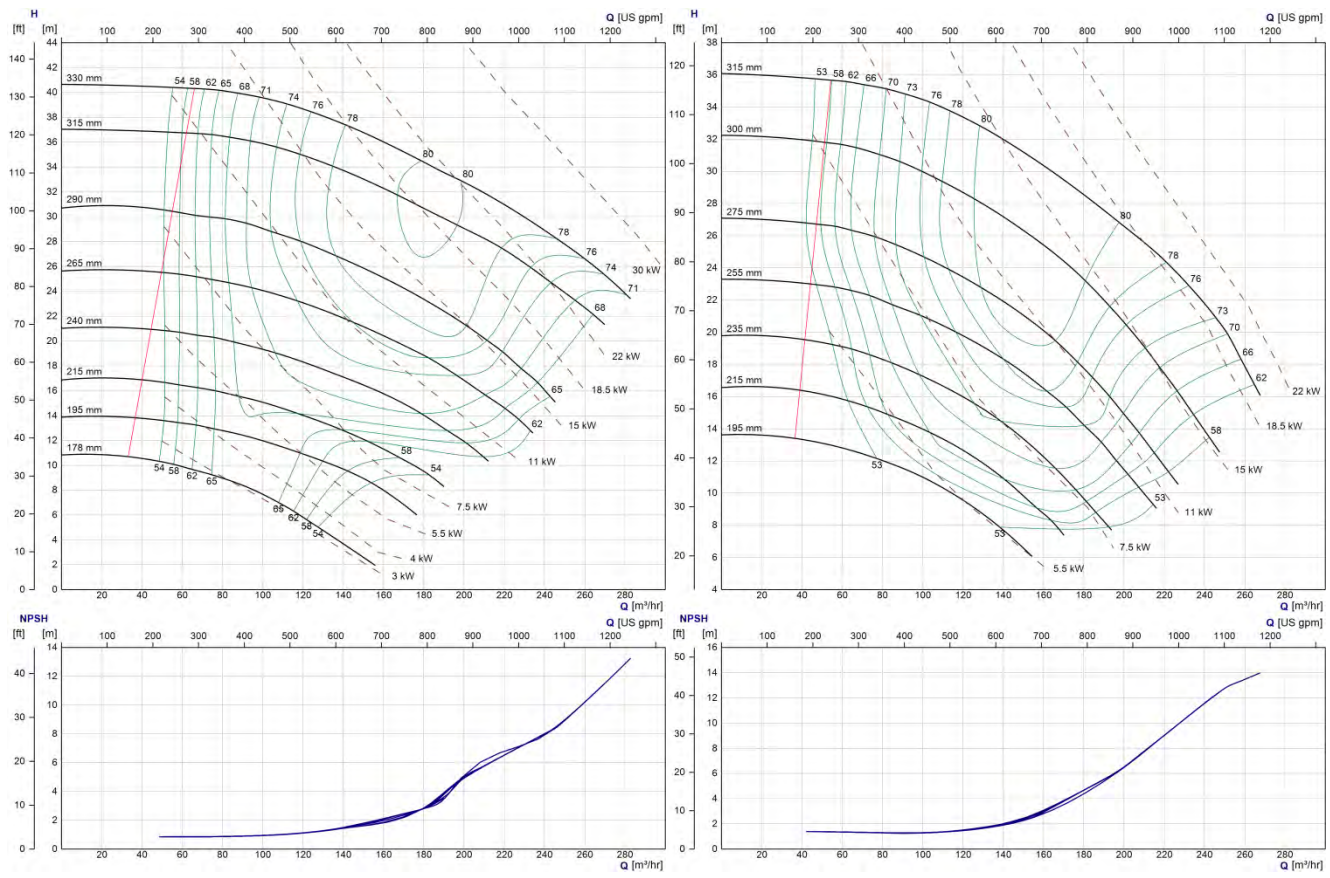
## e-HSC 4-Pole: 80-345 & 80-330 (3x5x13.5 & 3x5x13)



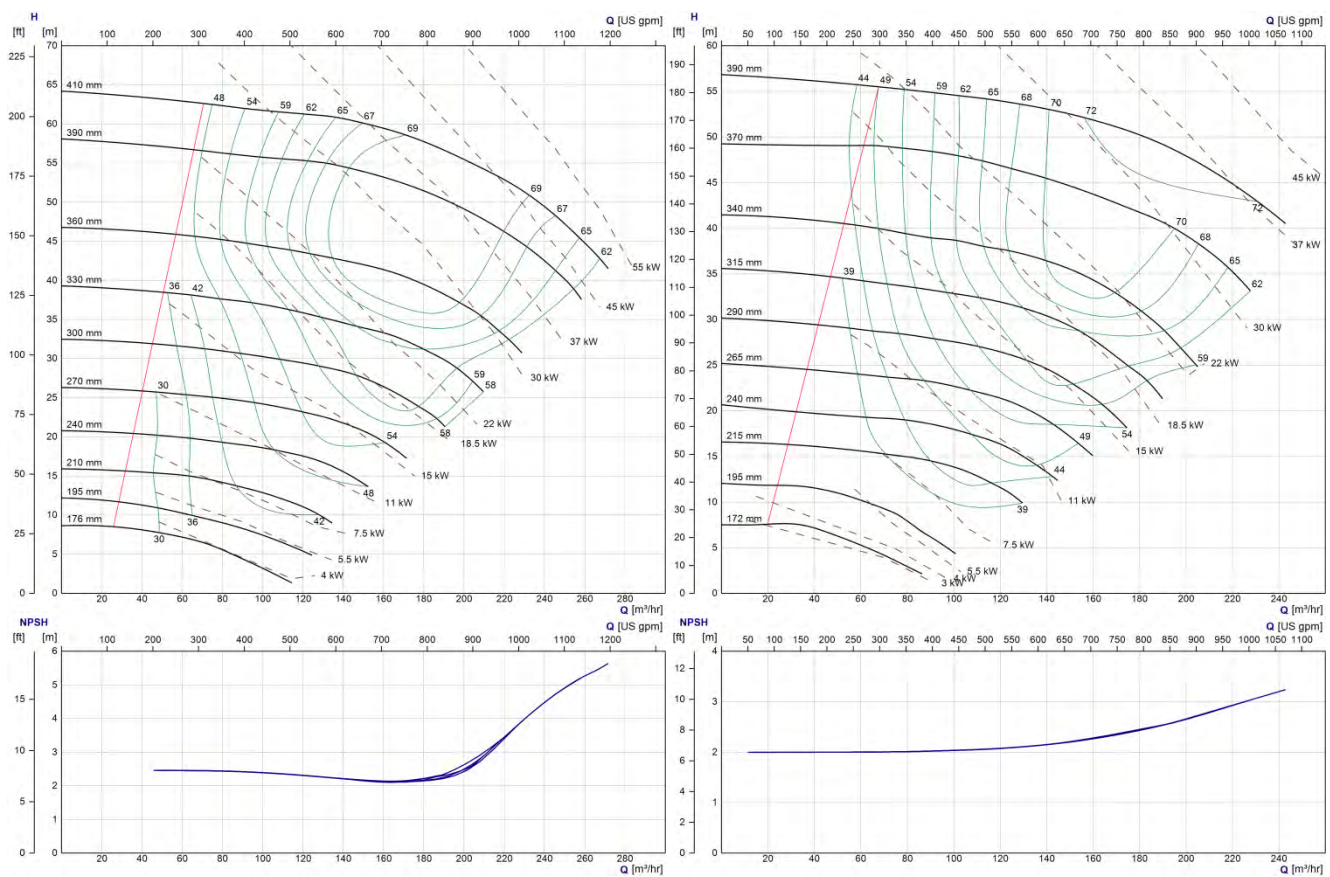
## e-HSC 4-Pole: 100-260 & 100-250 (4x6x10 & 4x6x9.5)



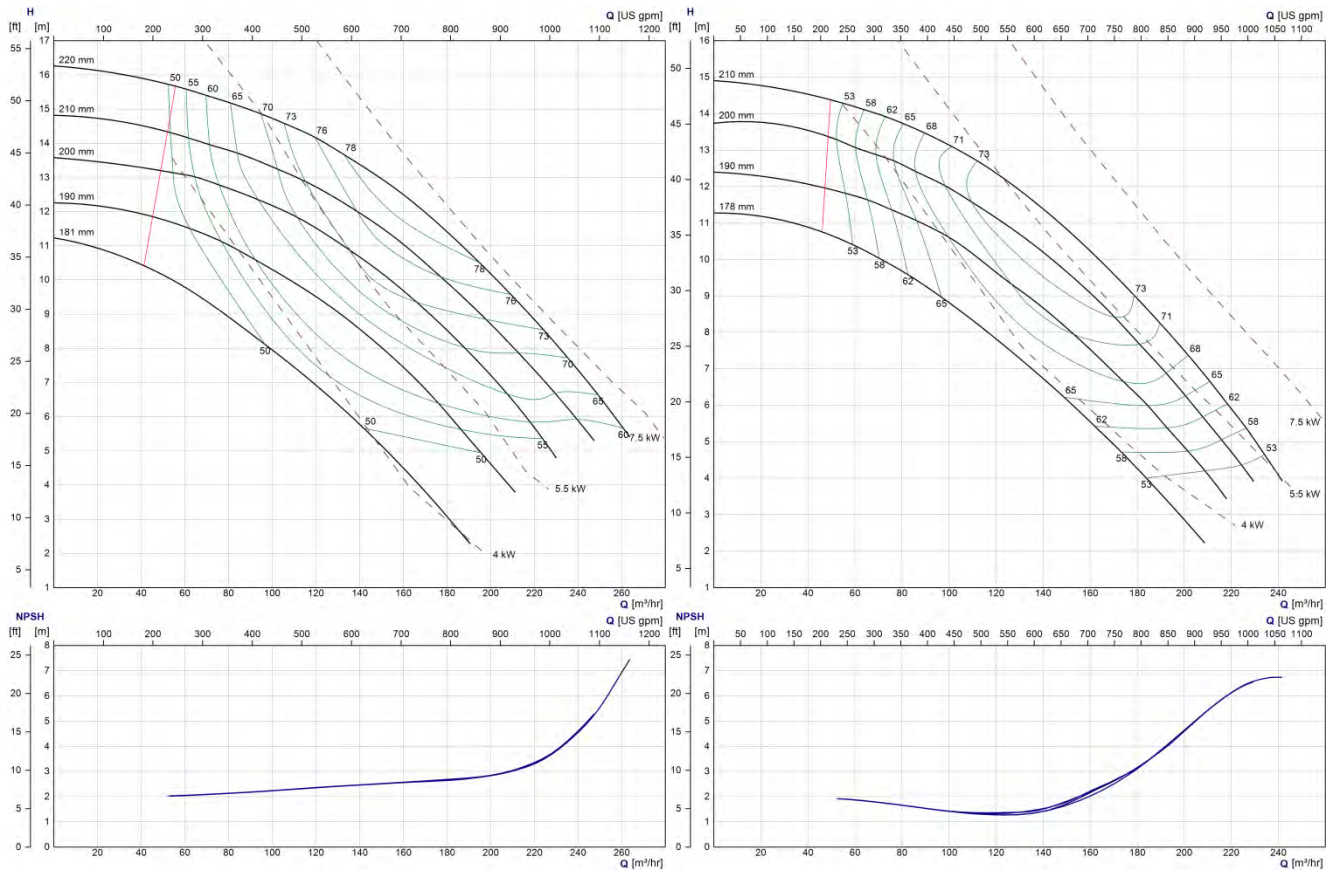
## e-HSC 4-Pole: 100-325 & 100-310 (4x6x13 & 4x6x12)



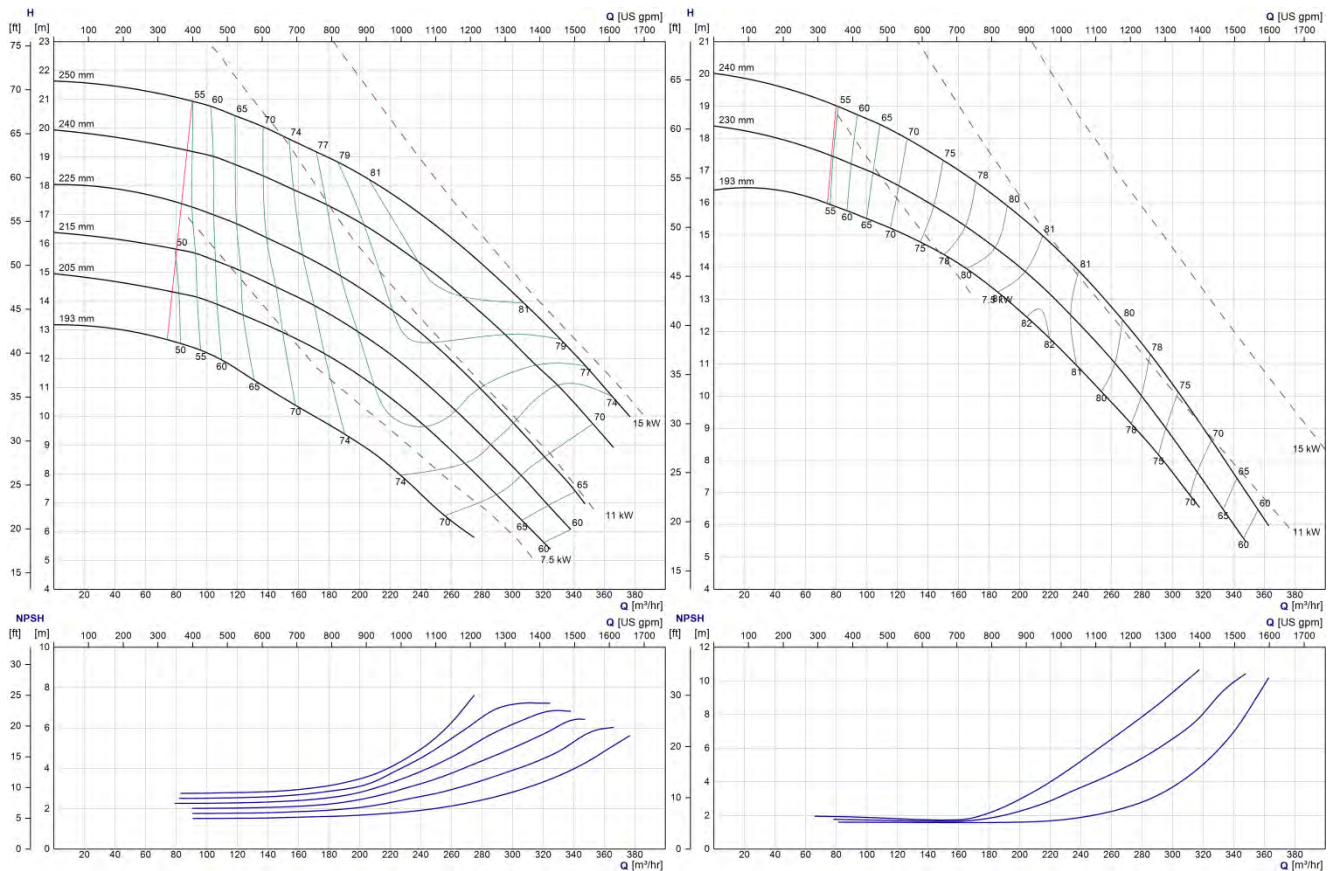
## e-HSC 4-Pole: 100-410 & 100-390 (4x6x16 & 4x6x15.5)



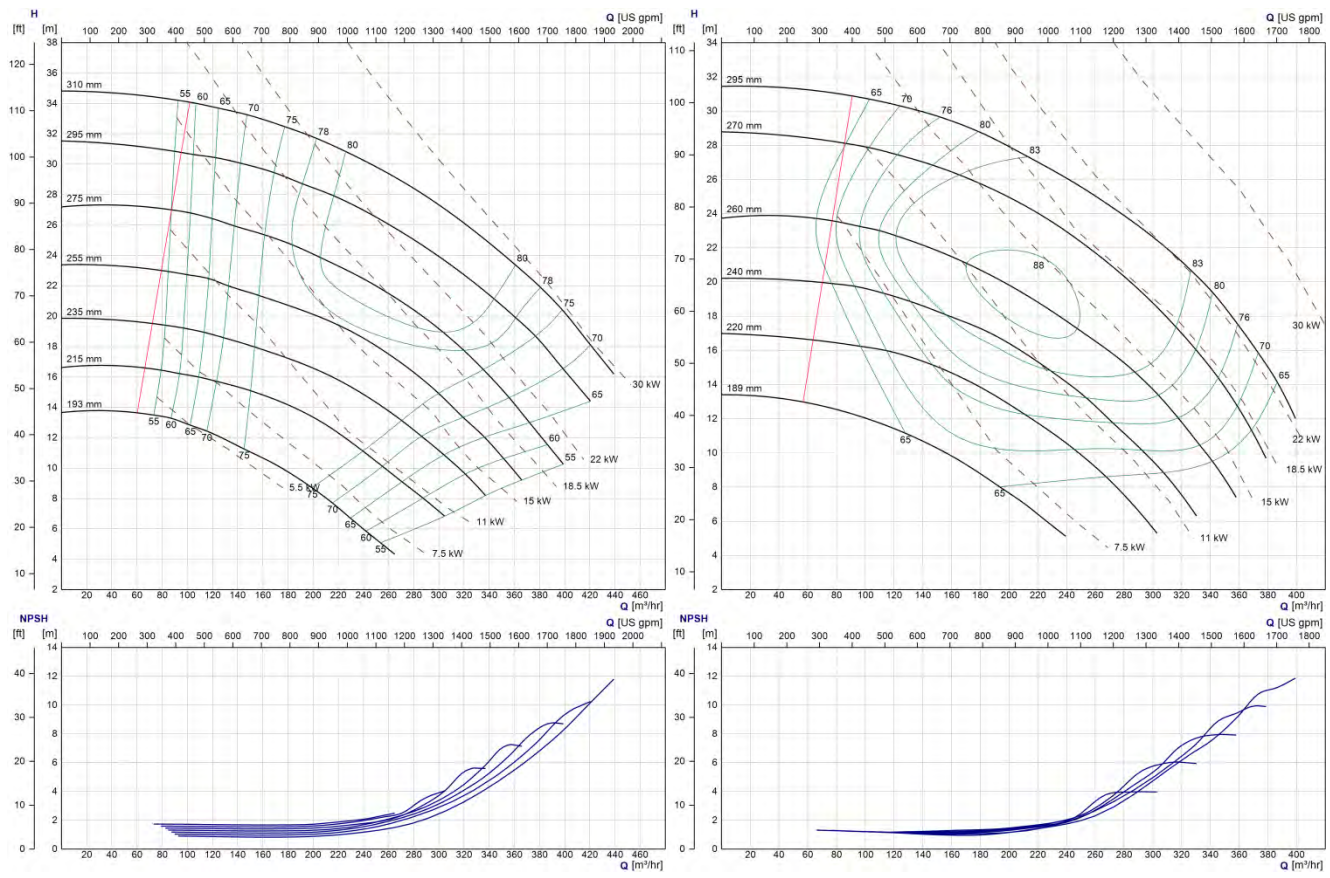
## e-HSC 4-Pole: 125-225 & 125-215 (5x6x9 & 5x6x8.5)



## e-HSC 4-Pole: 125-245 & 125-235 (5x8x9.5 & 5x8x9)

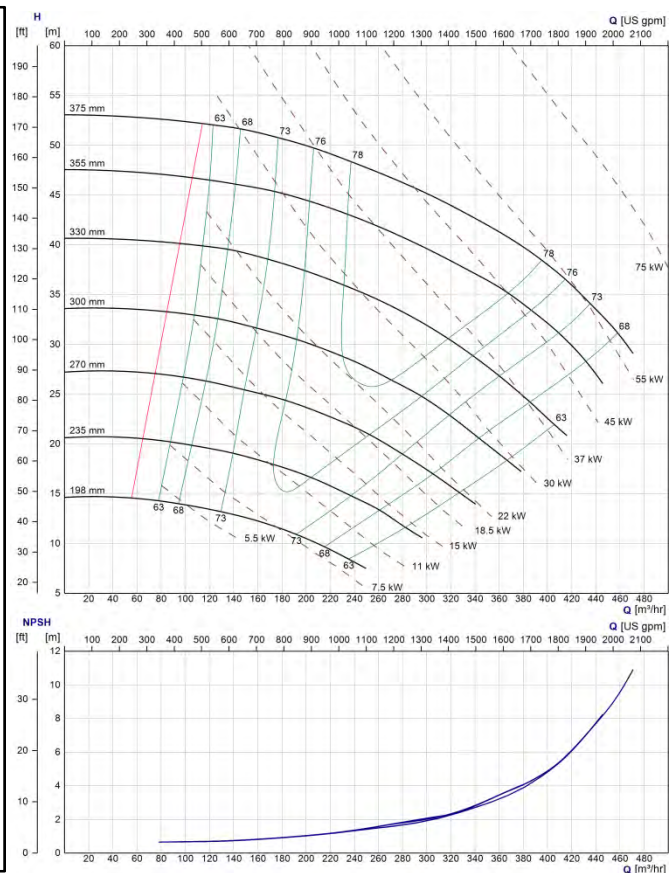


## e-HSC 4-Pole: 125-300 & 125-285 (5x8x12 & 5x8x11)

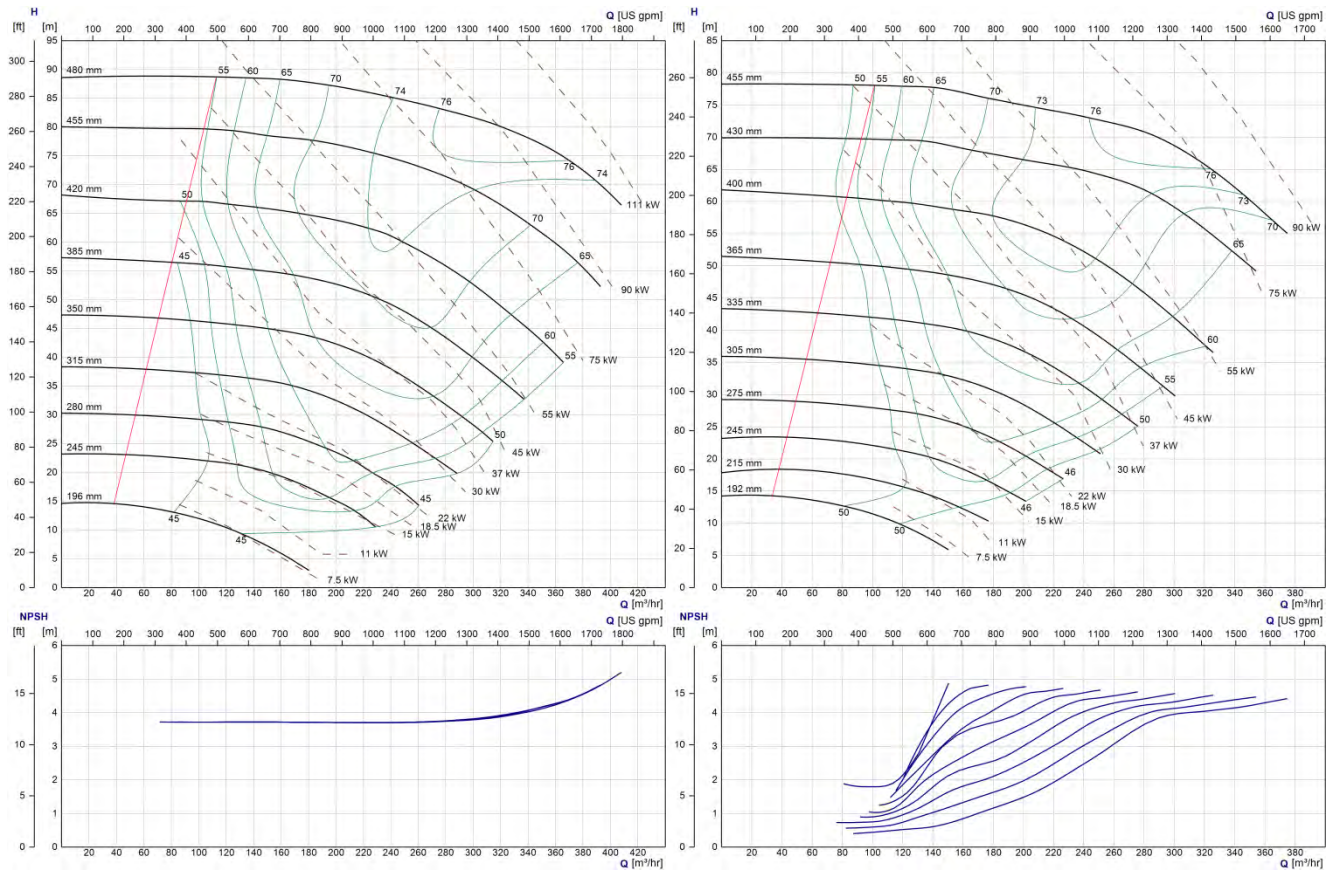


## e-HSC 4-Pole: 125-390 & 125-370 (5x8x15.5 & 5x8x14.5)

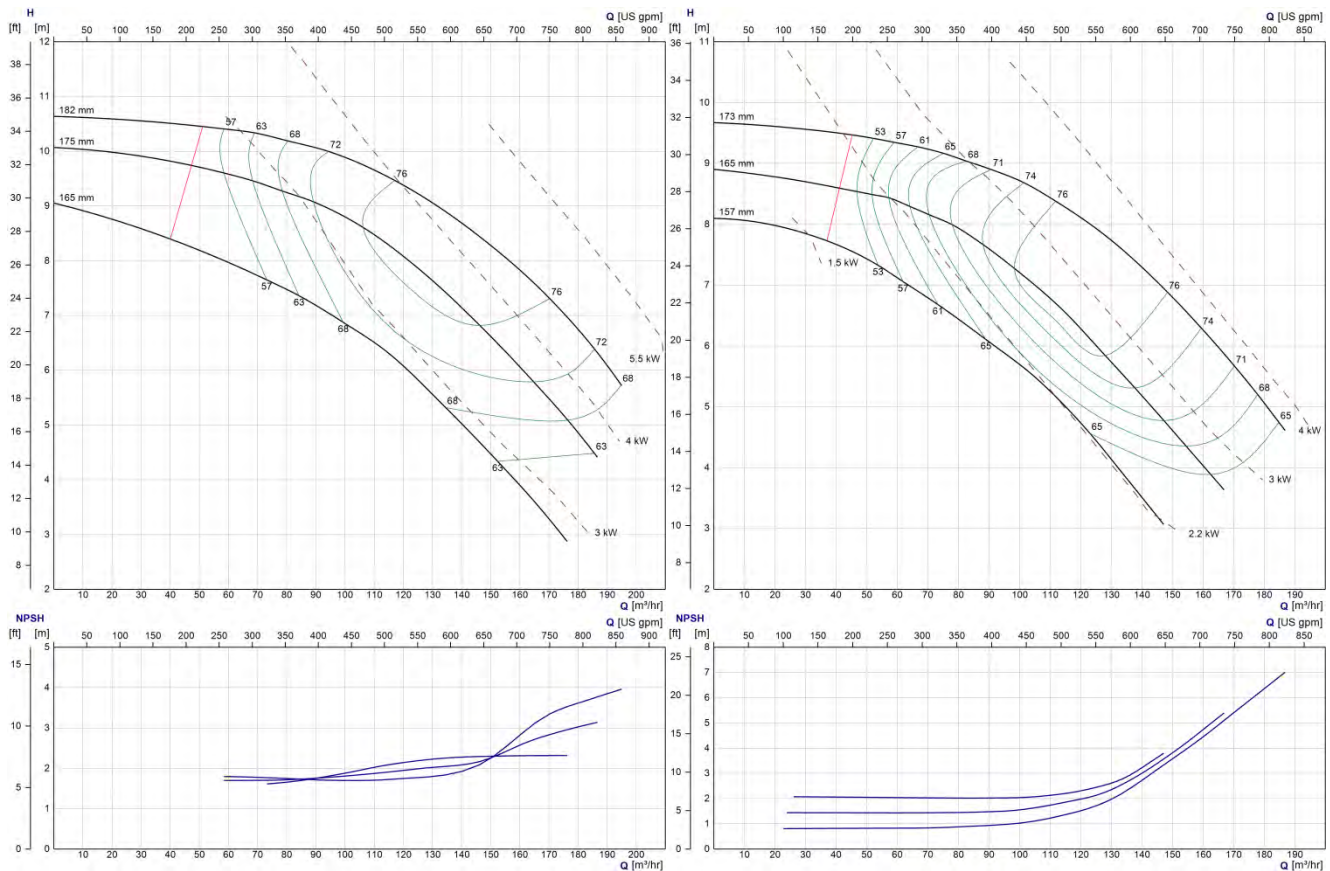
Data coming soon



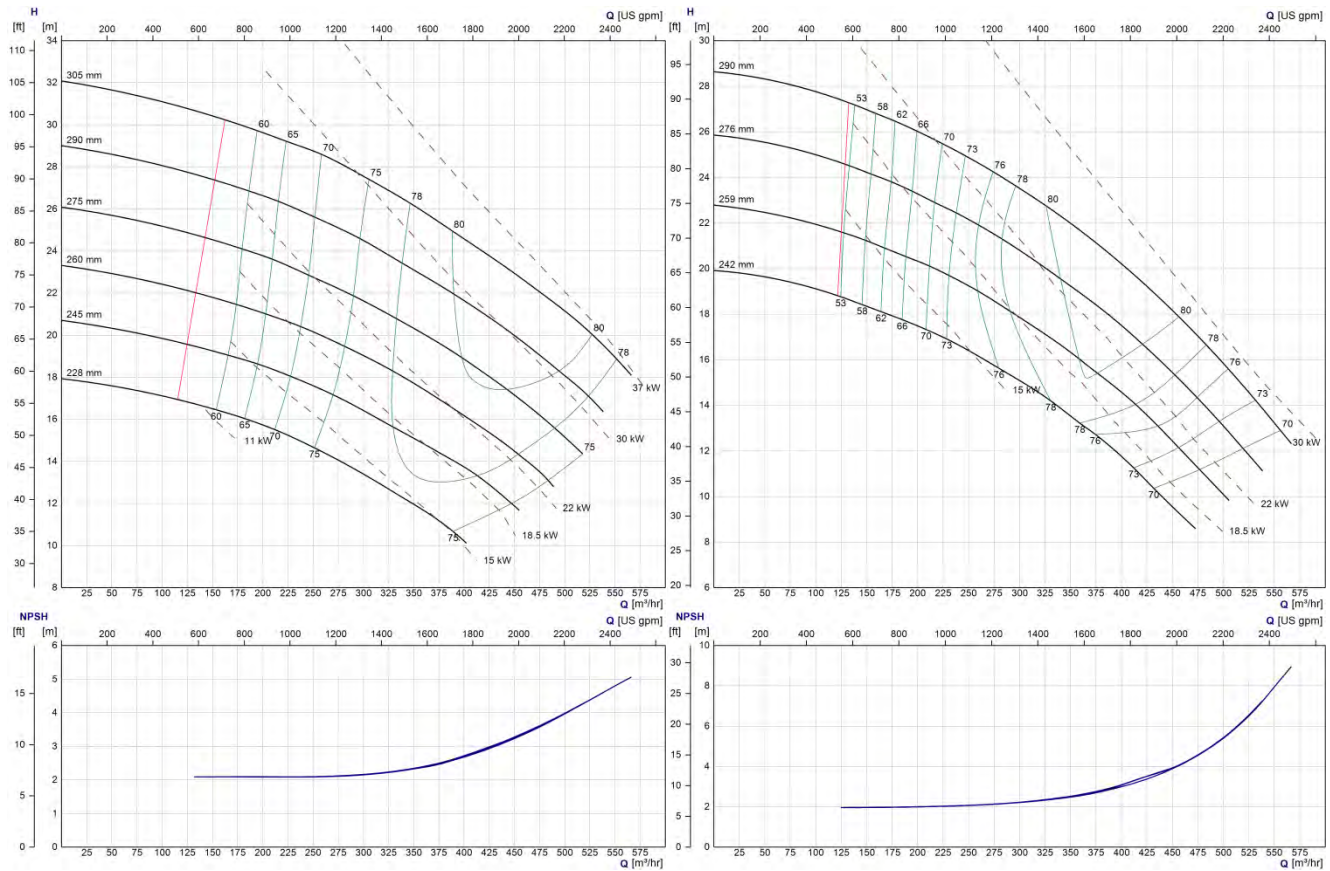
## e-HSC 4-Pole: 125-475 & 125-450 (5x8x19 & 5x8x18)



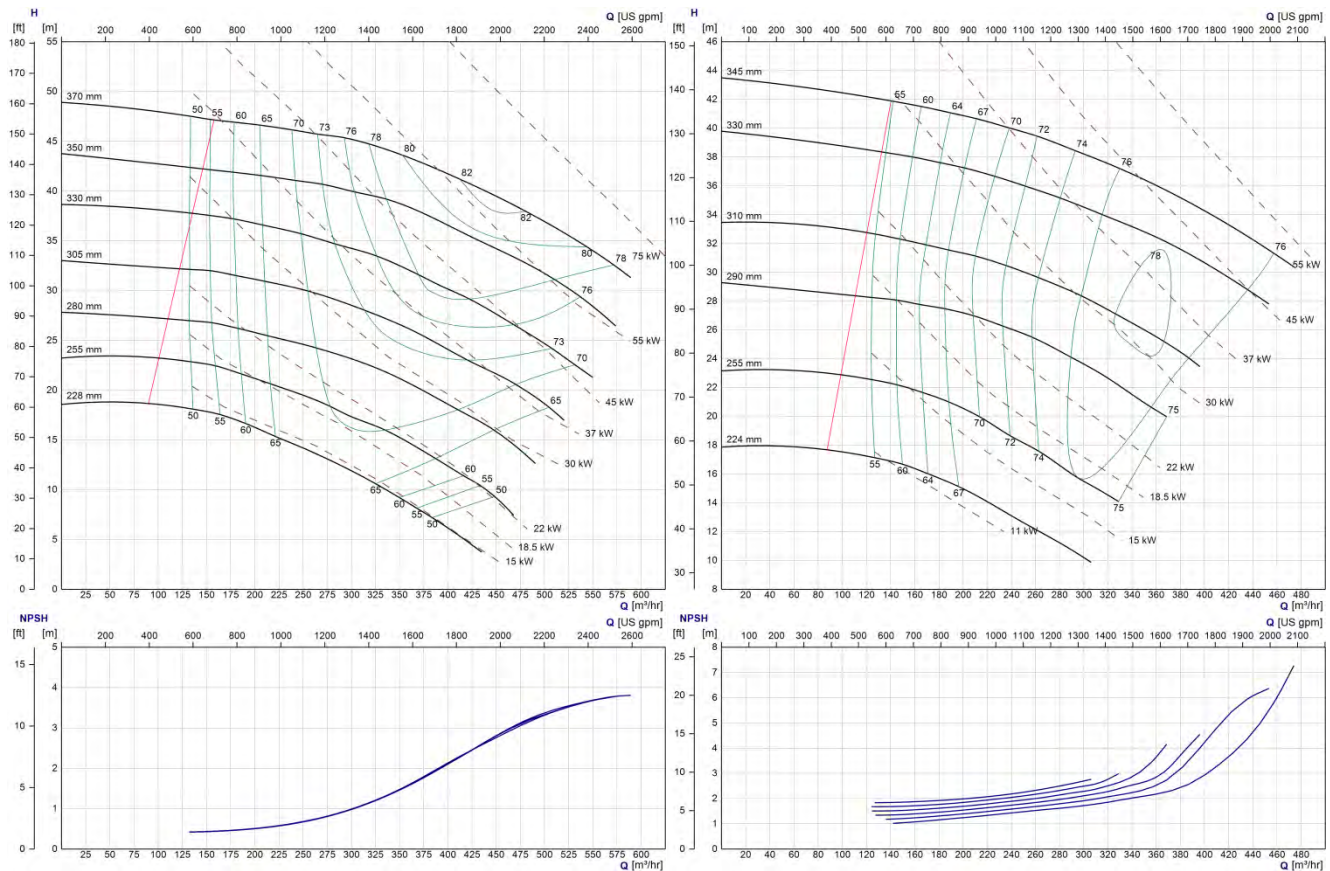
## e-HSC 4-Pole: 150-170 & 150-160 (6x8x6.5 & 6x8x6)



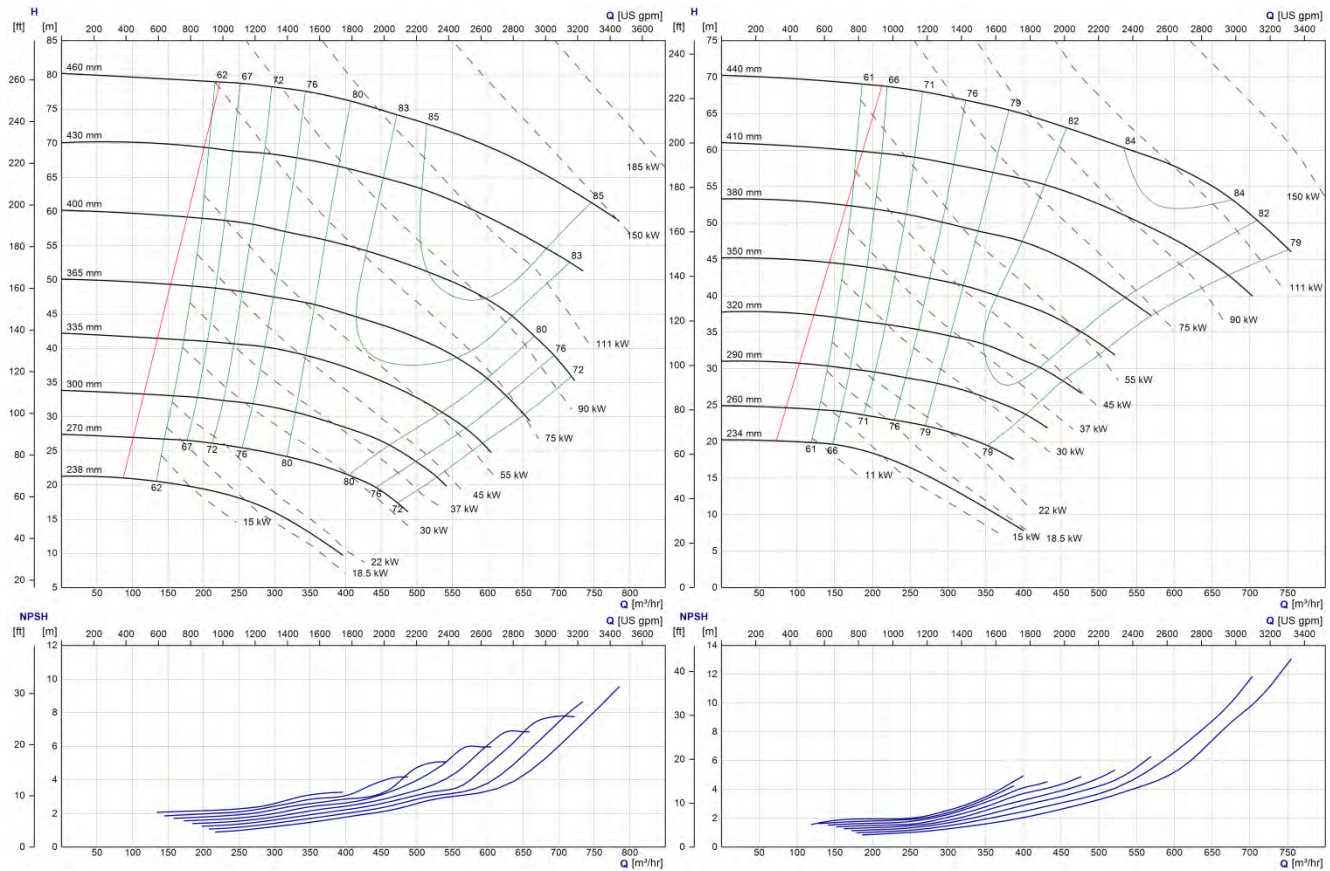
## e-HSC 4-Pole: 150-300 & 150-285 (6x8x12 & 6x8x11)



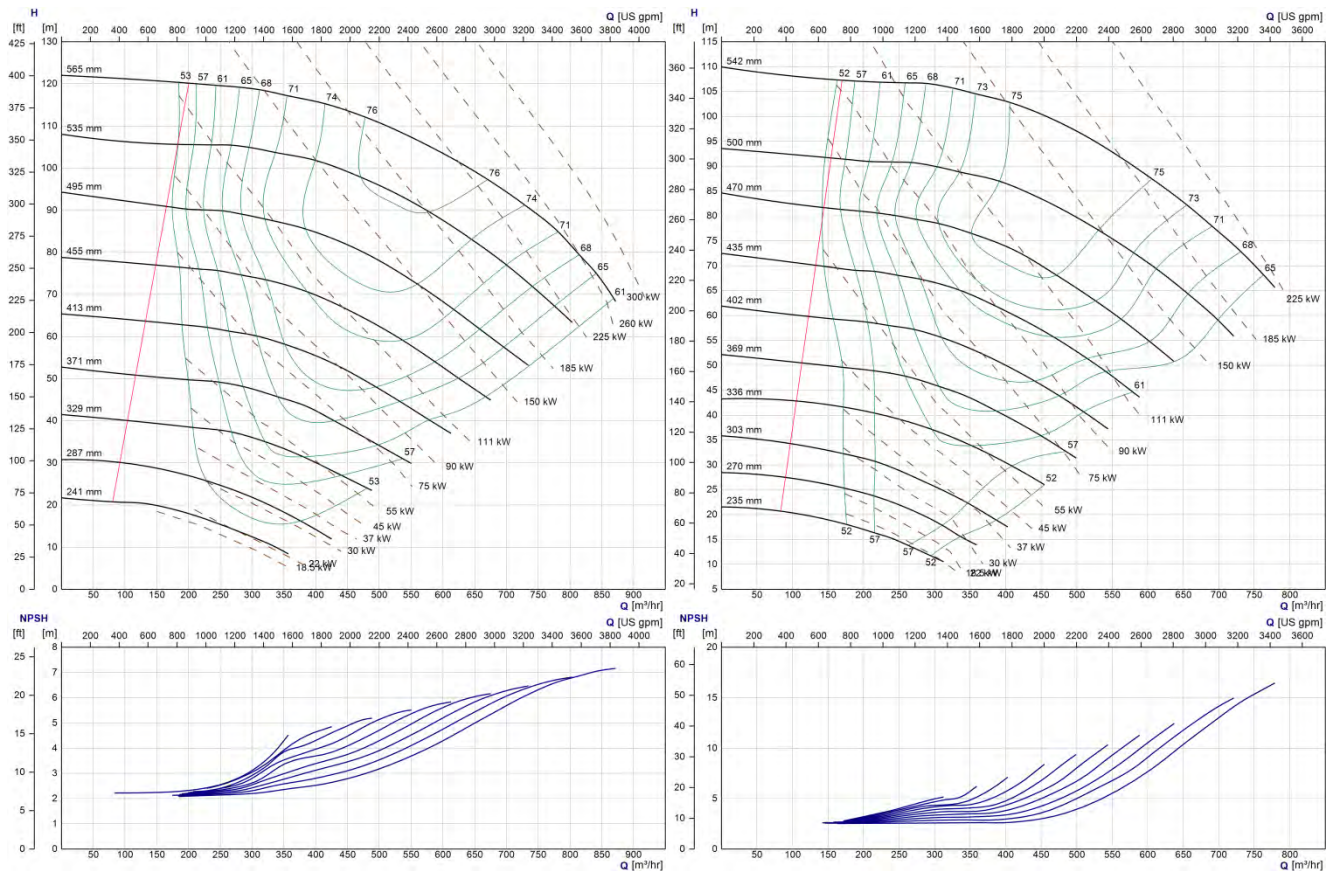
## e-HSC 4-Pole: 150-355 & 150-340 (6x8x14 & 6x8x13.5)



## e-HSC 4-Pole: 150-455 & 150-435 (6x8x18 & 6x8x17)



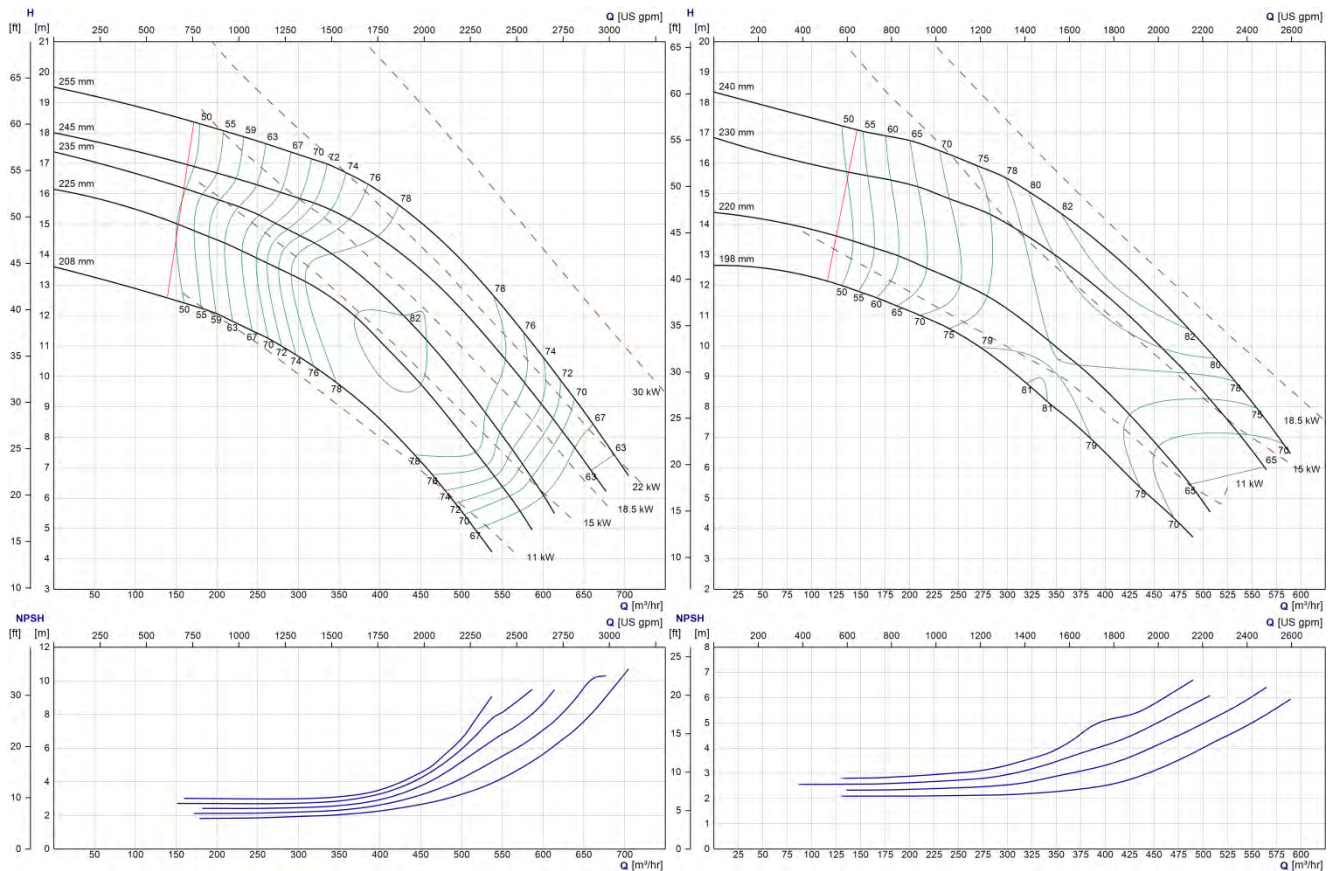
## e-HSC 4-Pole: 150-560 & 150-535 (6x8x22 & 6x8x21)



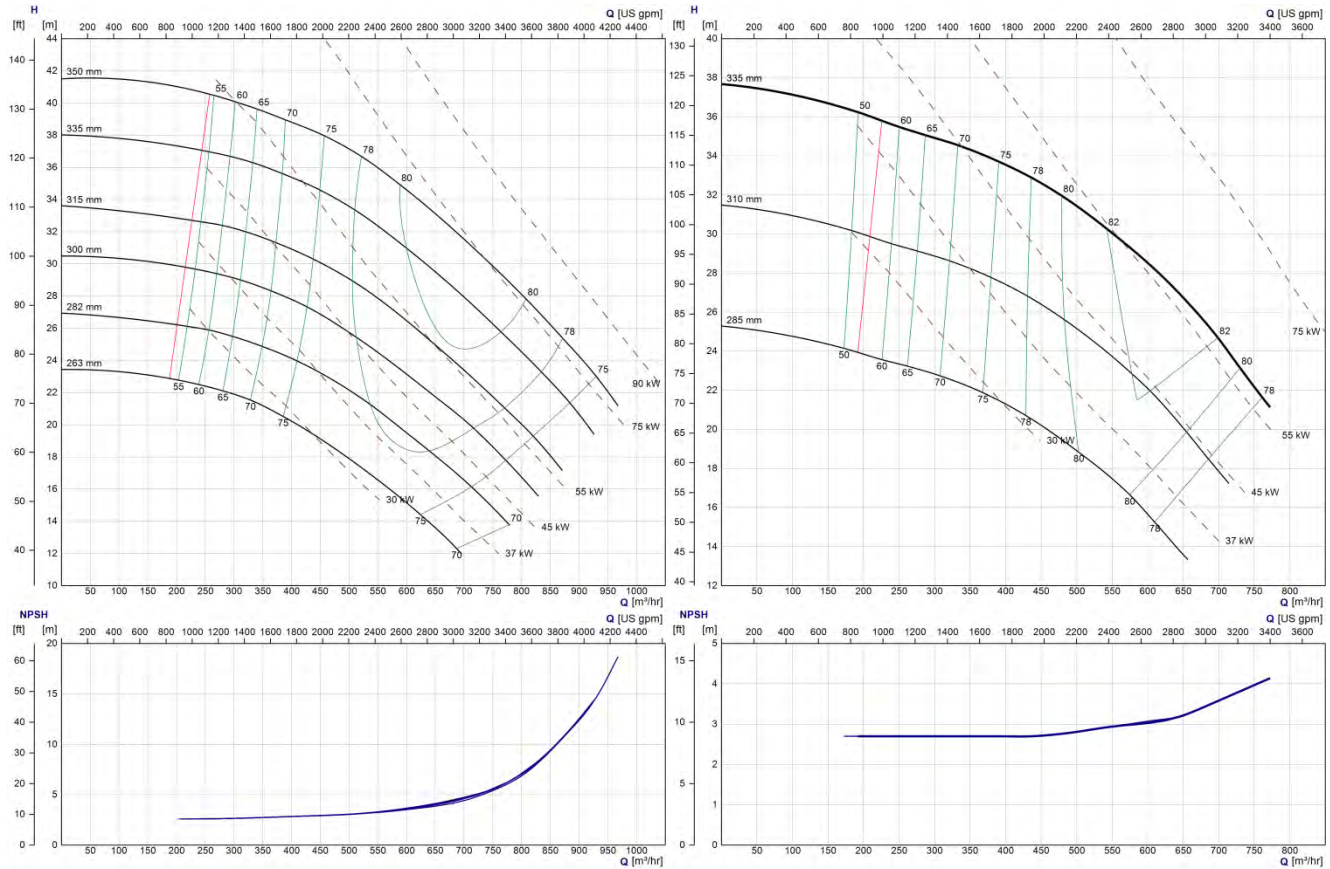
## e-HSC 4-Pole: 200-200 & 200-190 (8x8x8 & 8x8x7.5)



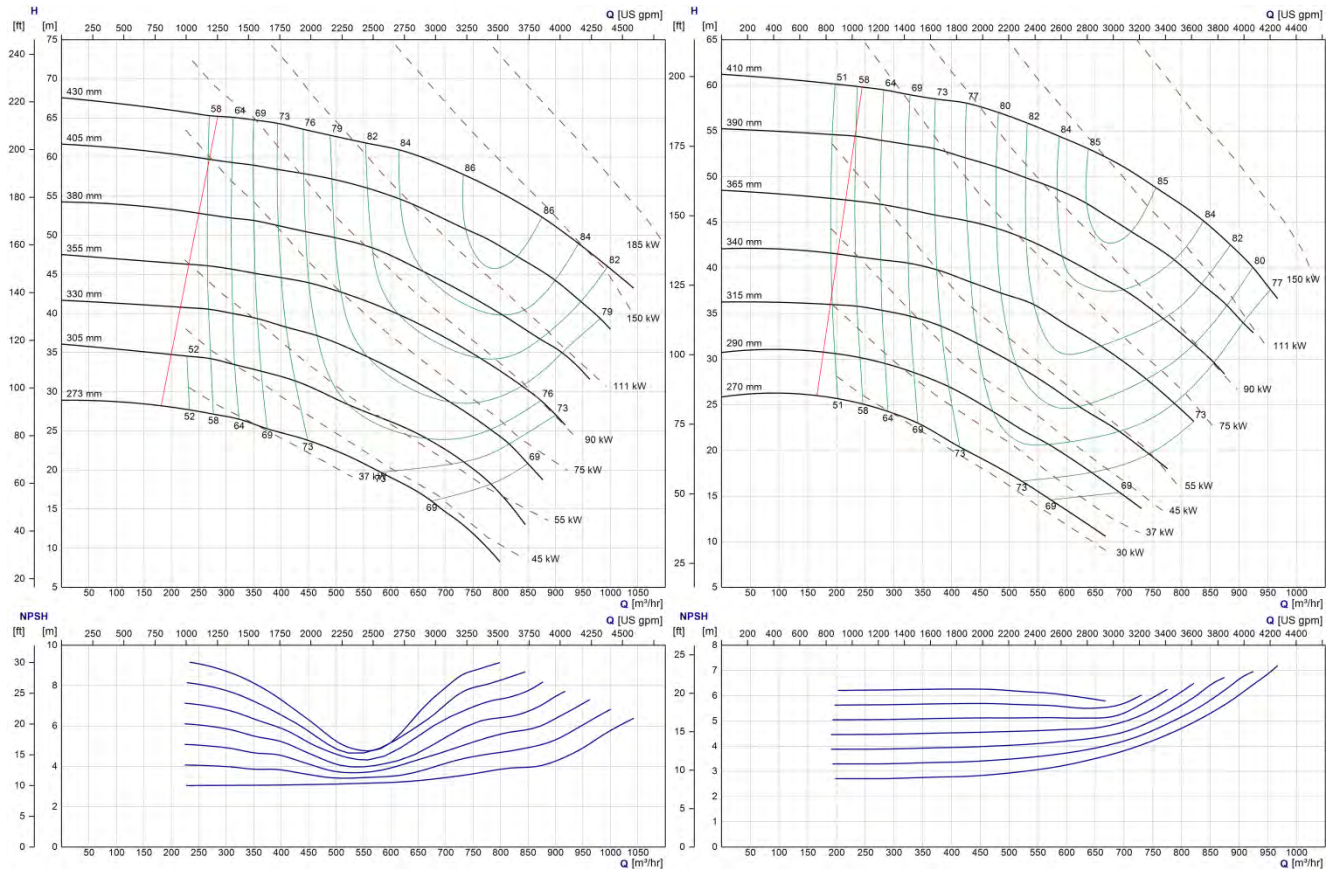
## e-HSC 4-Pole: 200-250 & 200-235 (8x10x10 & 8x10x9.5)



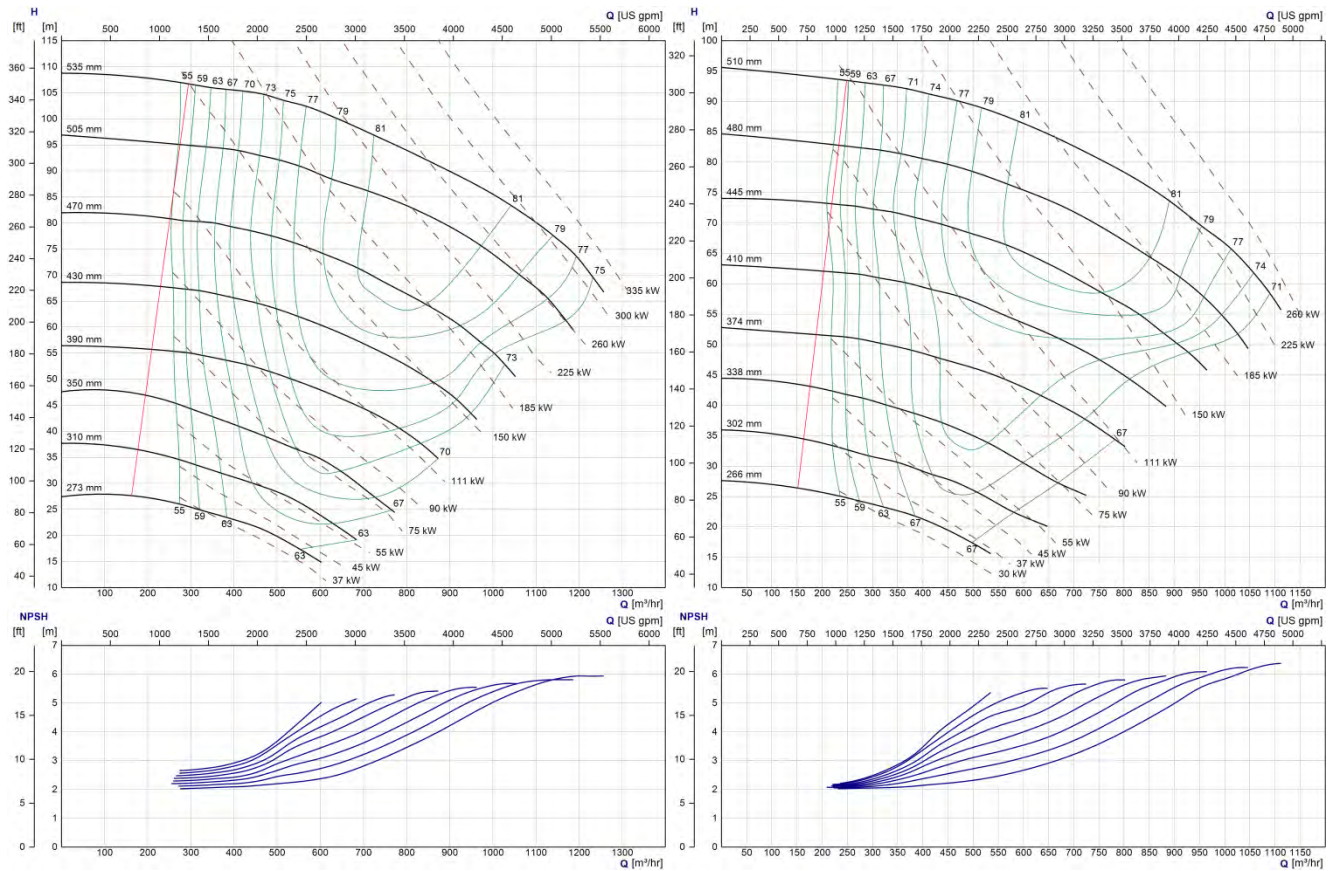
## e-HSC 4-Pole: 200-345 & 200-330 (8x10x13.5 & 8x10x13)



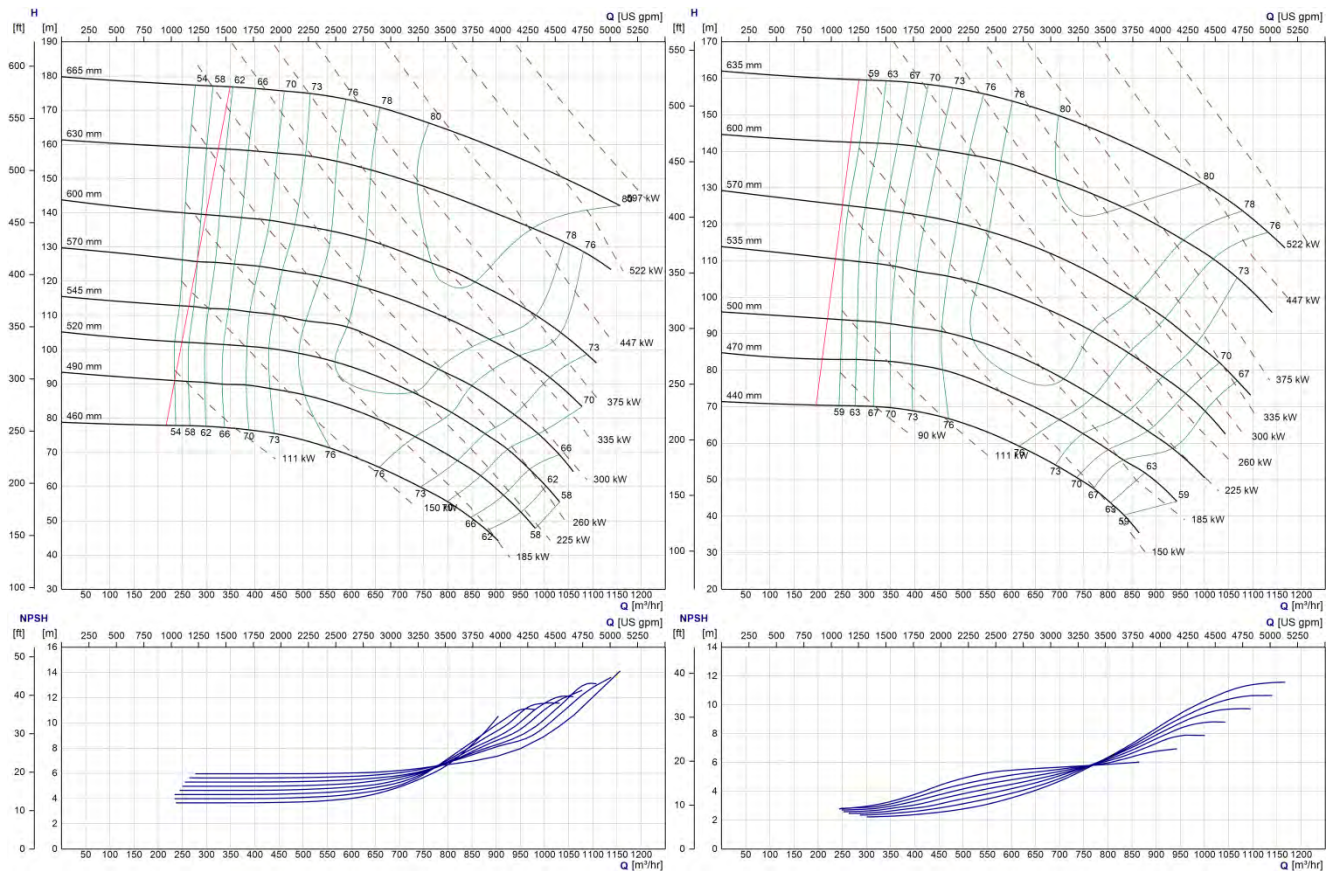
## e-HSC 4-Pole: 200-425 & 200-405 (8x10x17 & 8x10x16)



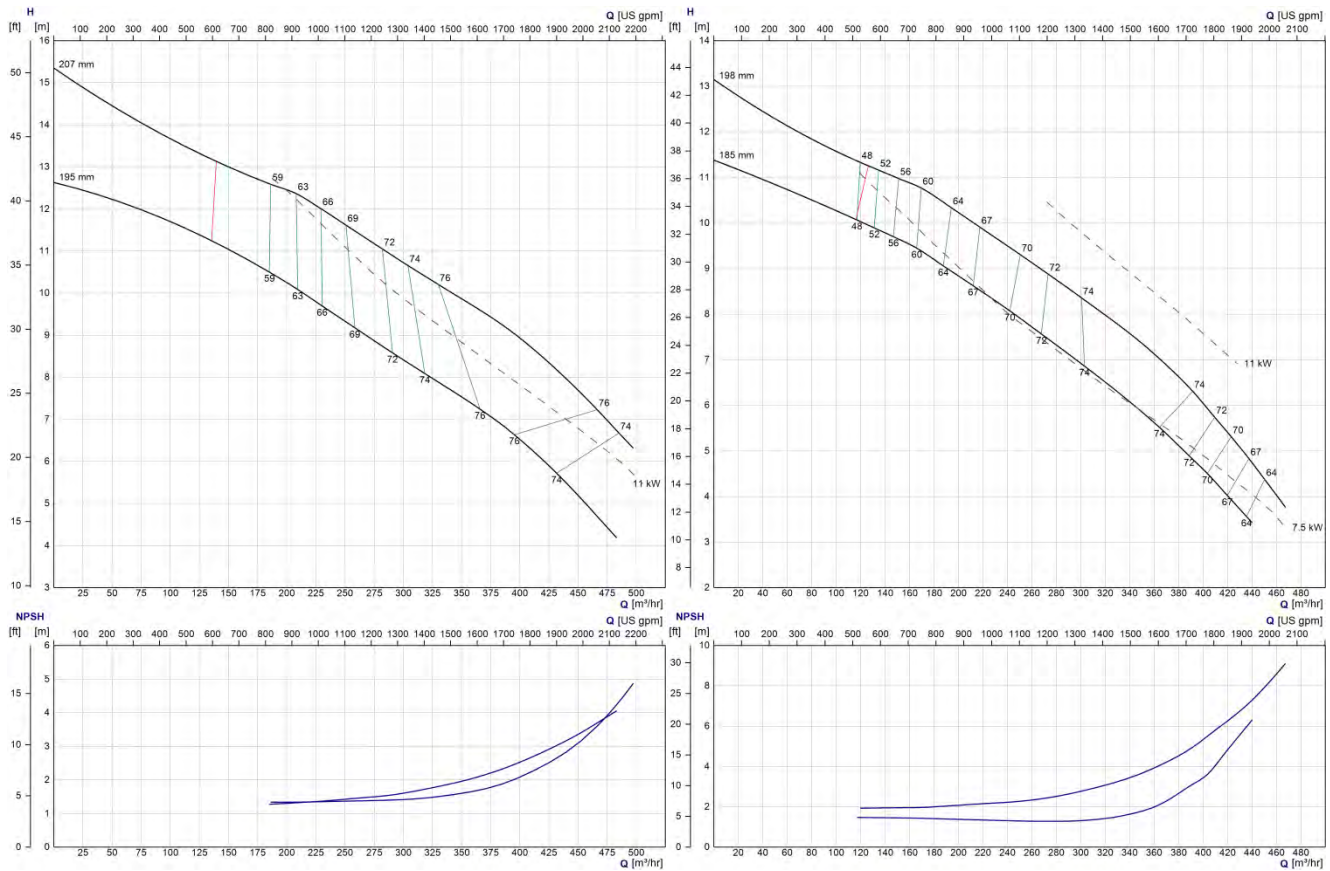
## e-HSC 4-Pole: 200-530 & 200-505 (8x10x21 & 8x10x20)



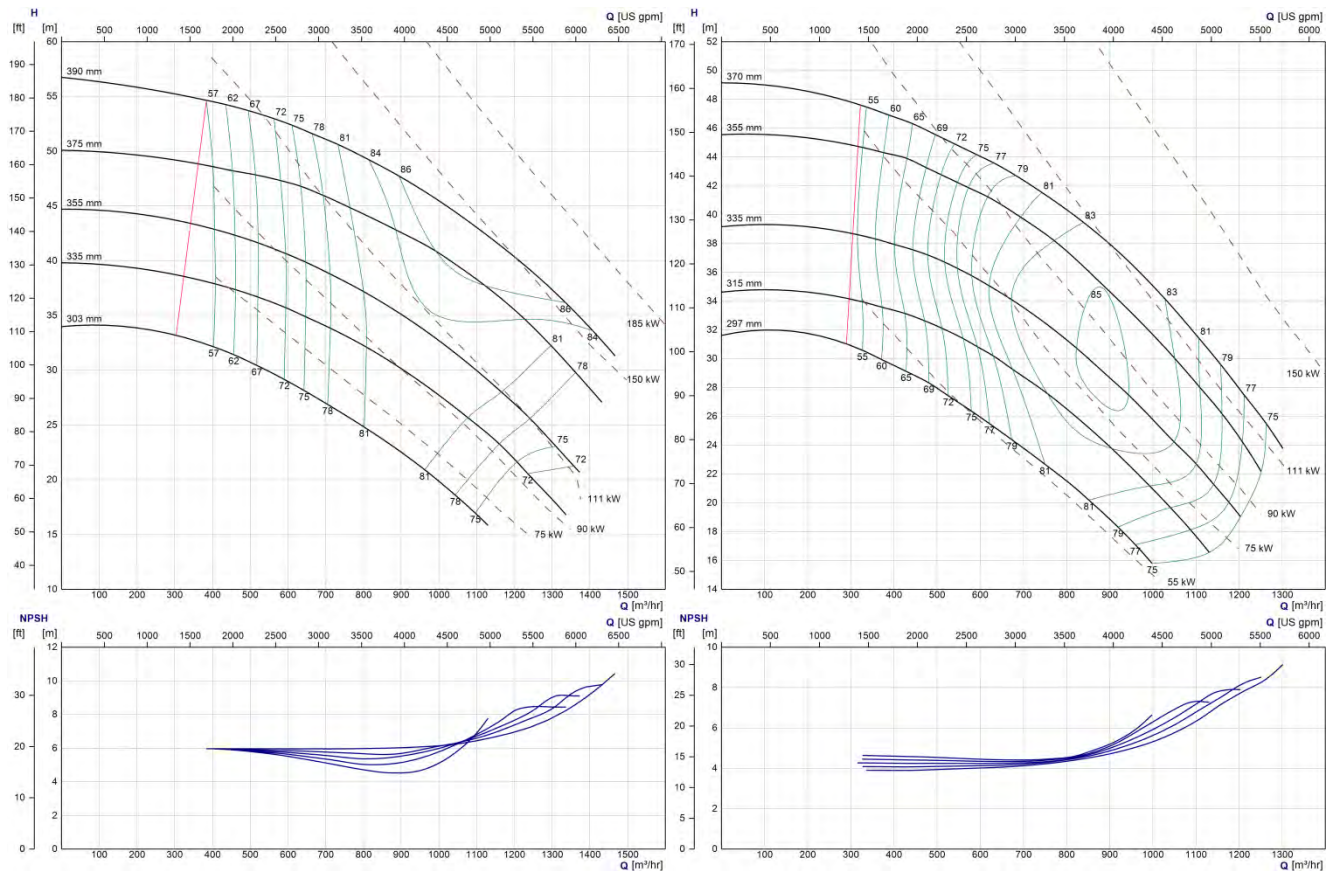
## e-HSC 4-Pole: 200-655 & 200-625 (8x10x26 & 8x10x25)



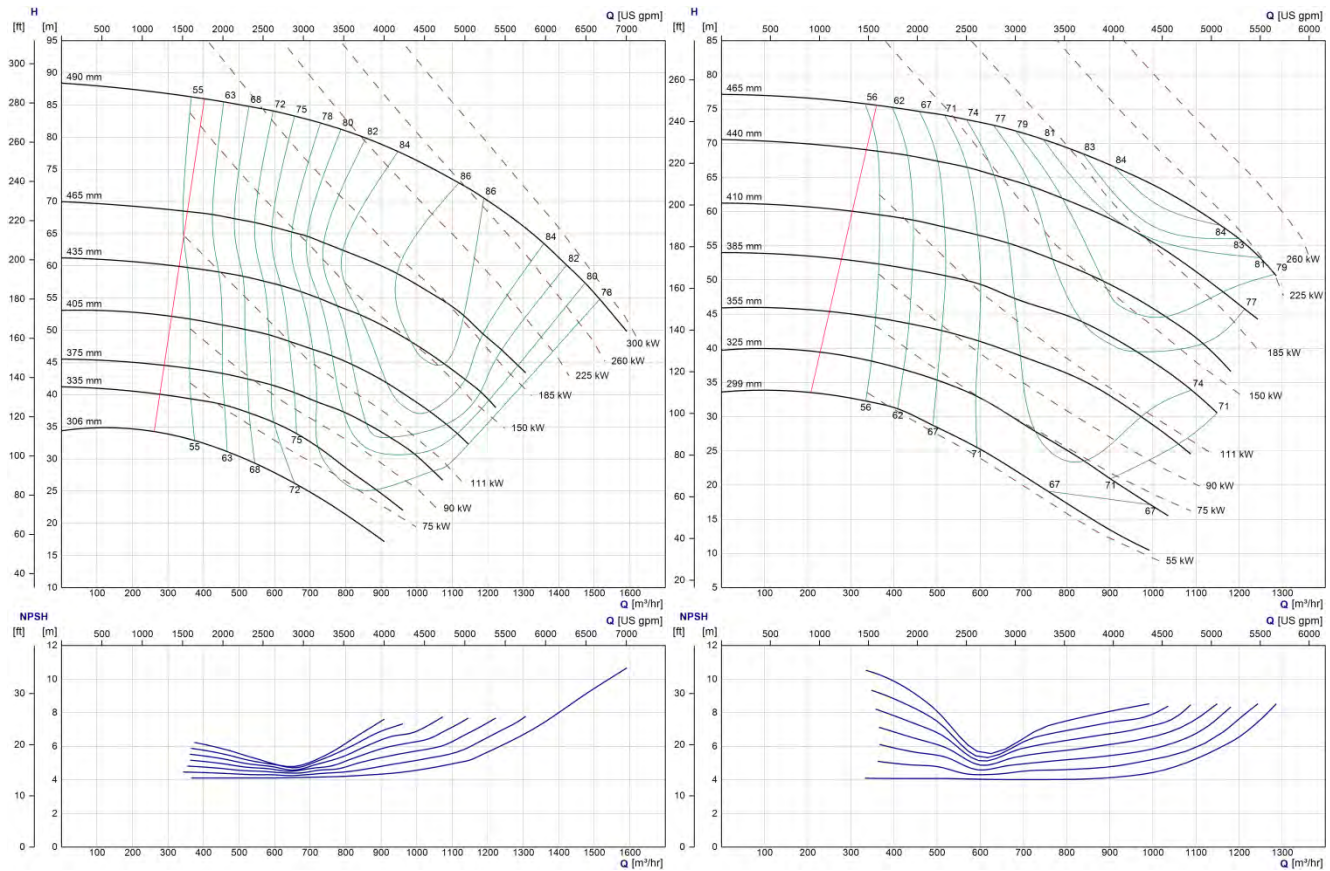
## e-HSC 4-Pole: 250-200 & 250-190 (10x10x8 & 10x10x7.5)



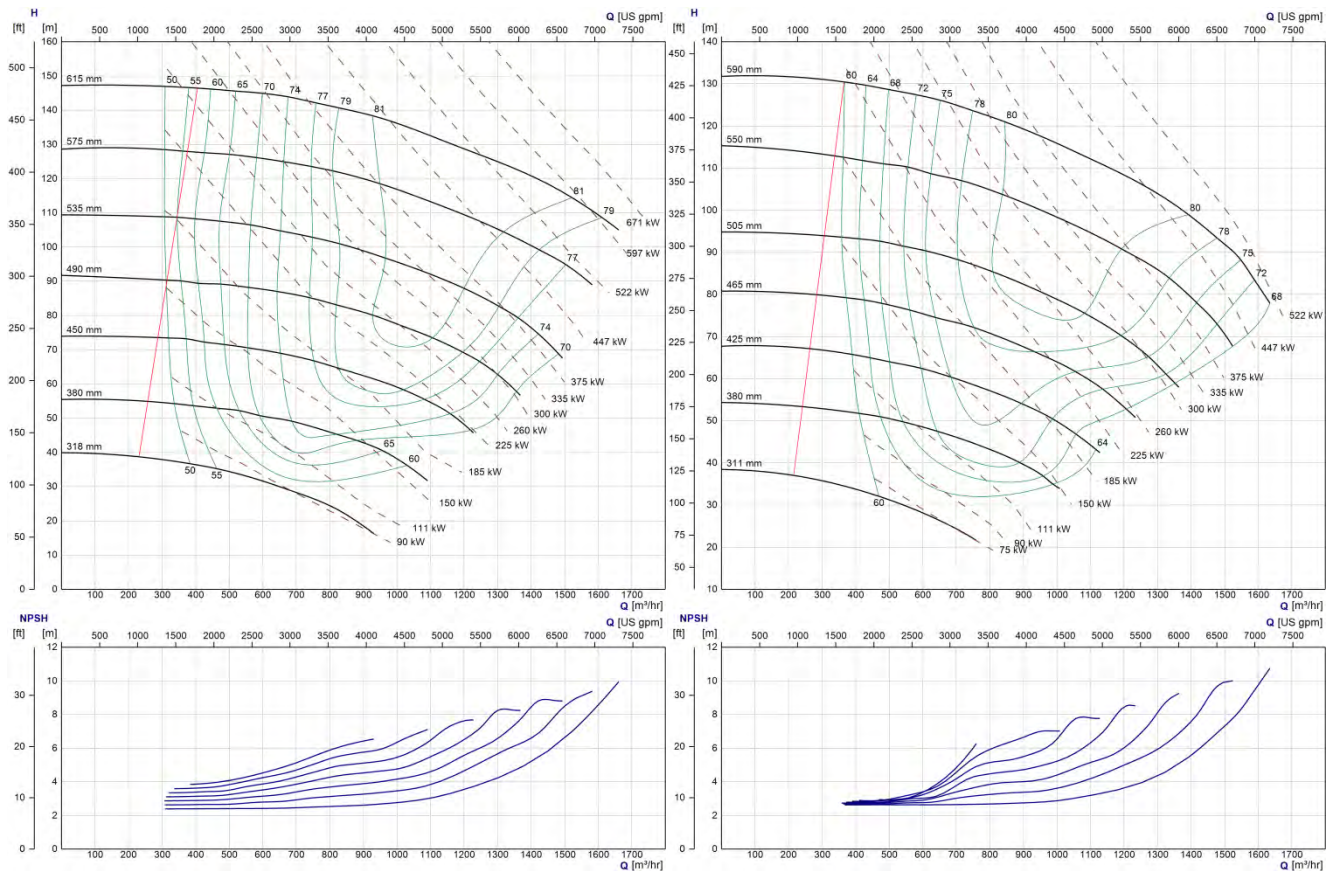
## e-HSC 4-Pole: 250-390 & 250-370 (10x12x15.5 & 10x12x14.5)



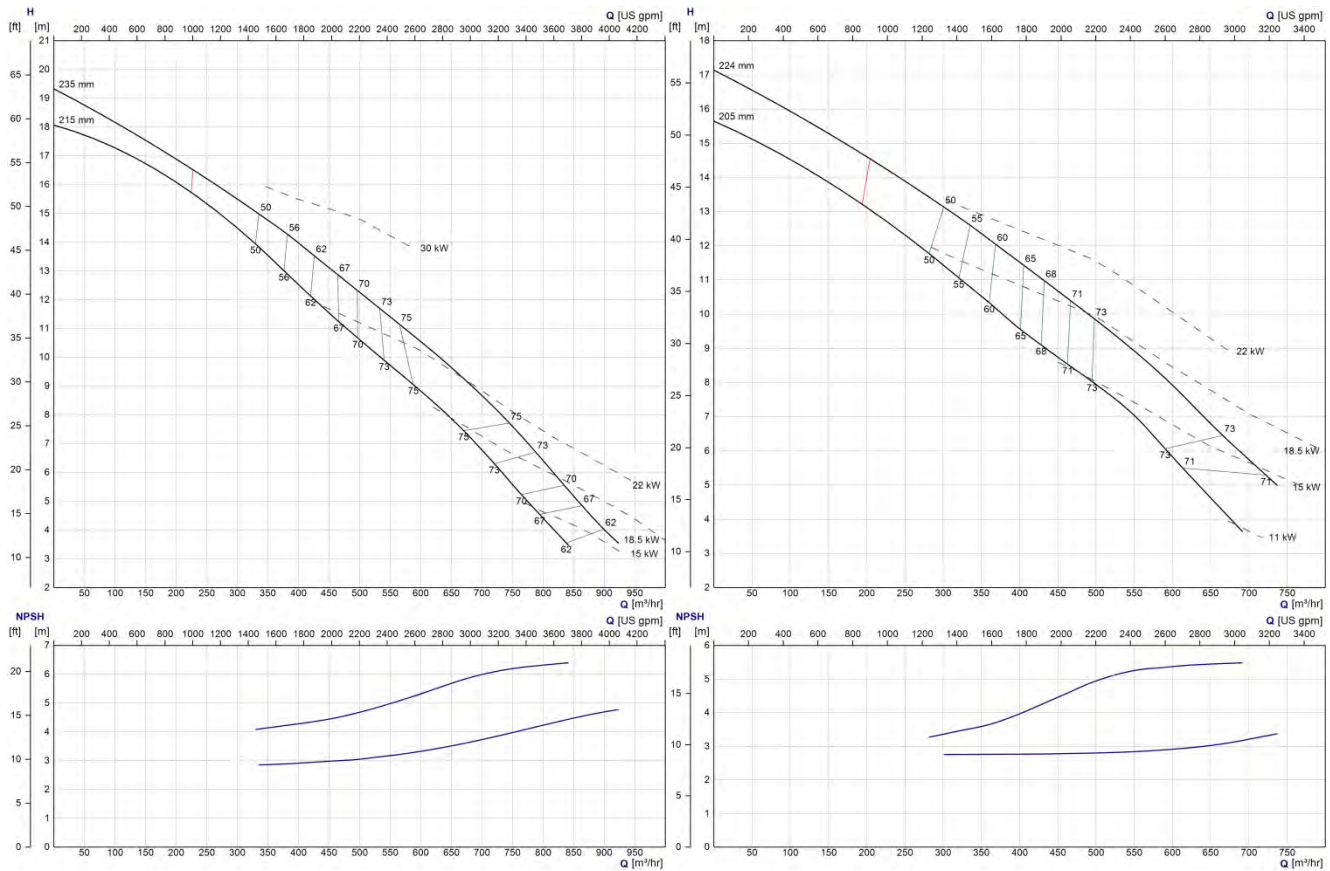
## e-HSC 4-Pole: 250-480 & 250-455 (10x12x19 & 10x12x18)



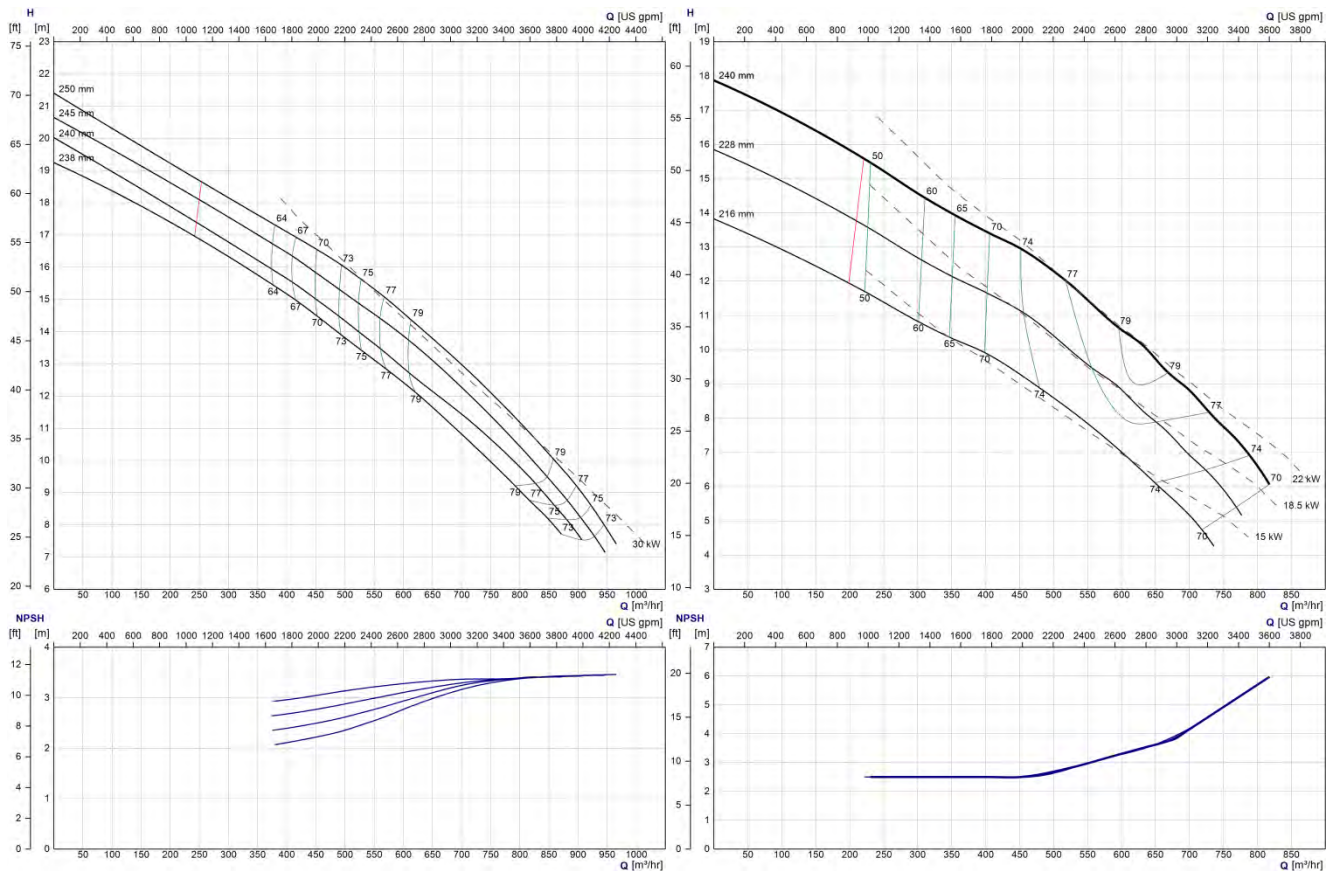
## e-HSC 4-Pole: 250-610 & 250-580 (10x12x24 & 10x12x23)



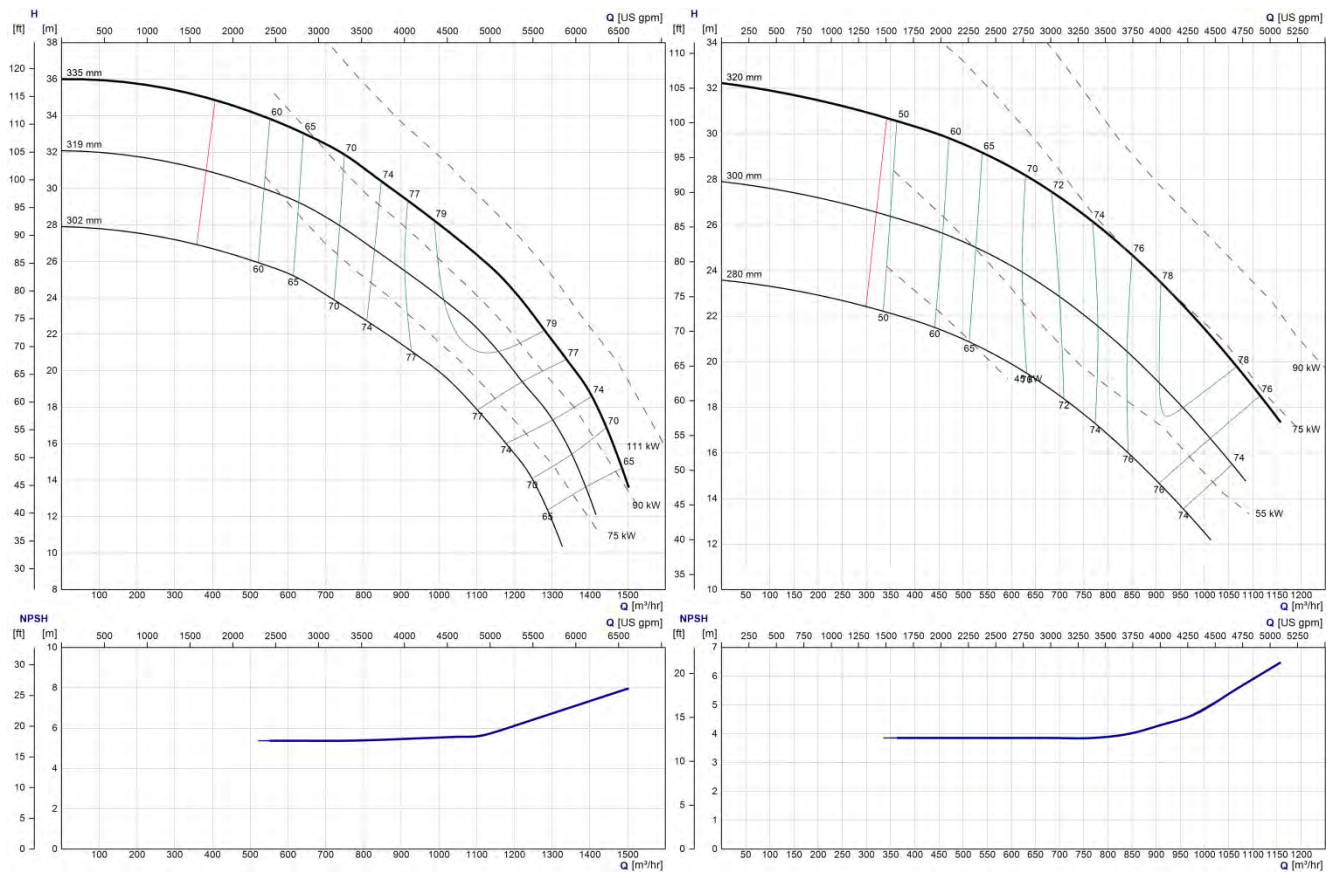
## e-HSC 4-Pole: 300-225 & 300-215 (12x12x9 & 12x12x8.5)



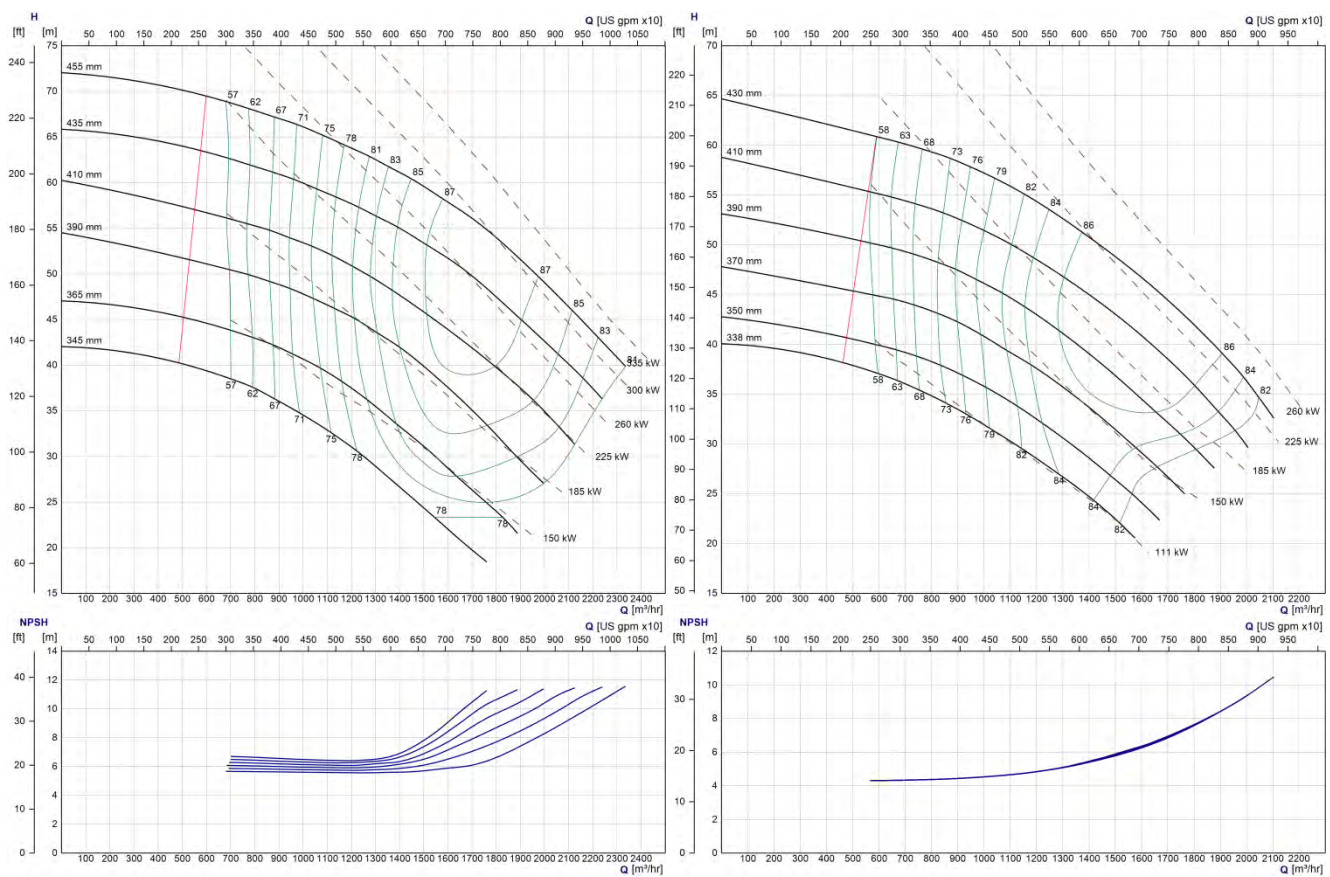
## e-HSC 4-Pole: 300-255 & 300-245 (12x12x10 & 12x12x9.5)



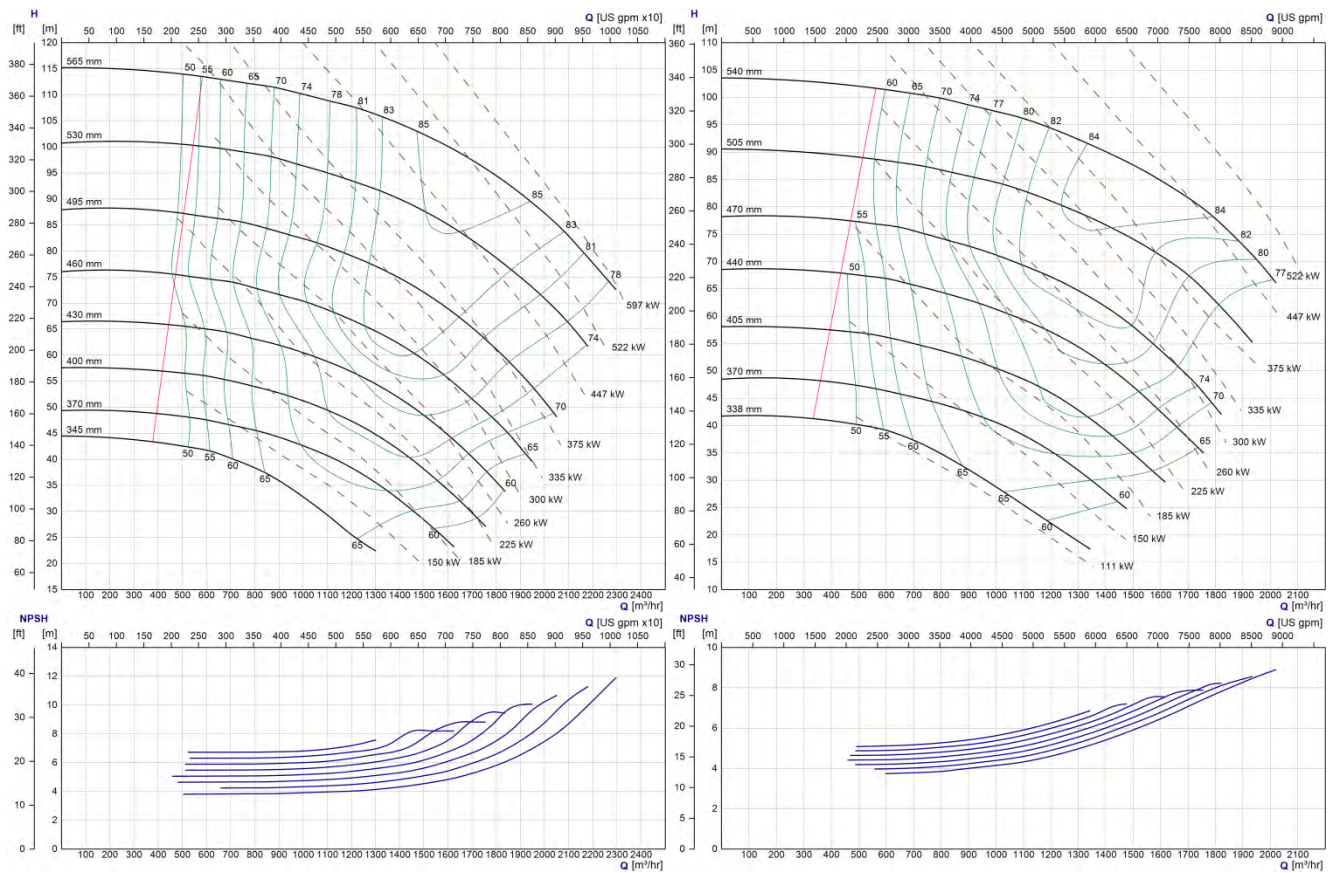
## e-HSC 4-Pole: 300-330 & 300-315 (12x14x13 & 12x14x12.5)



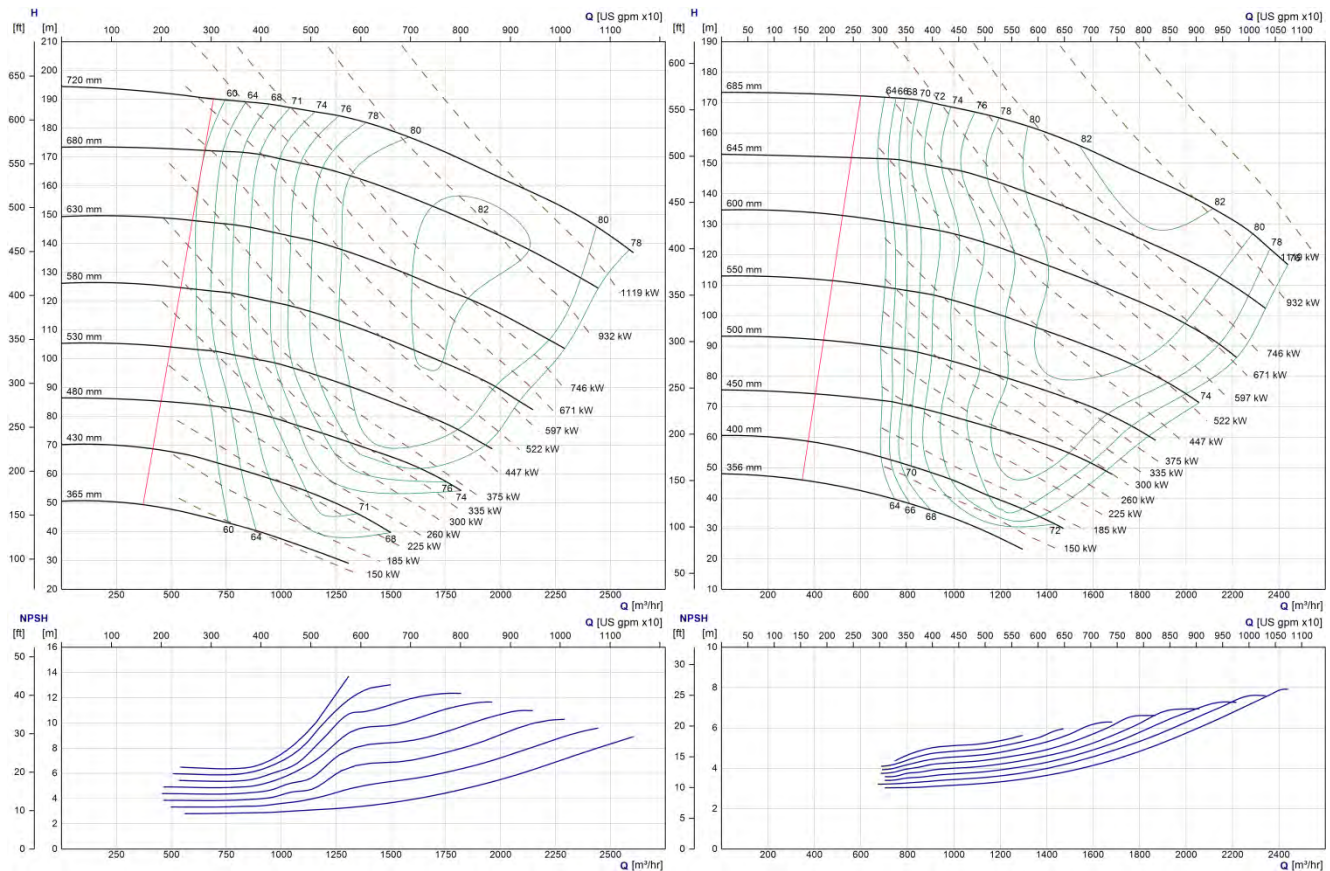
## e-HSC 4-Pole: 300-450 & 300-430 (12x16x18 & 12x16x17)



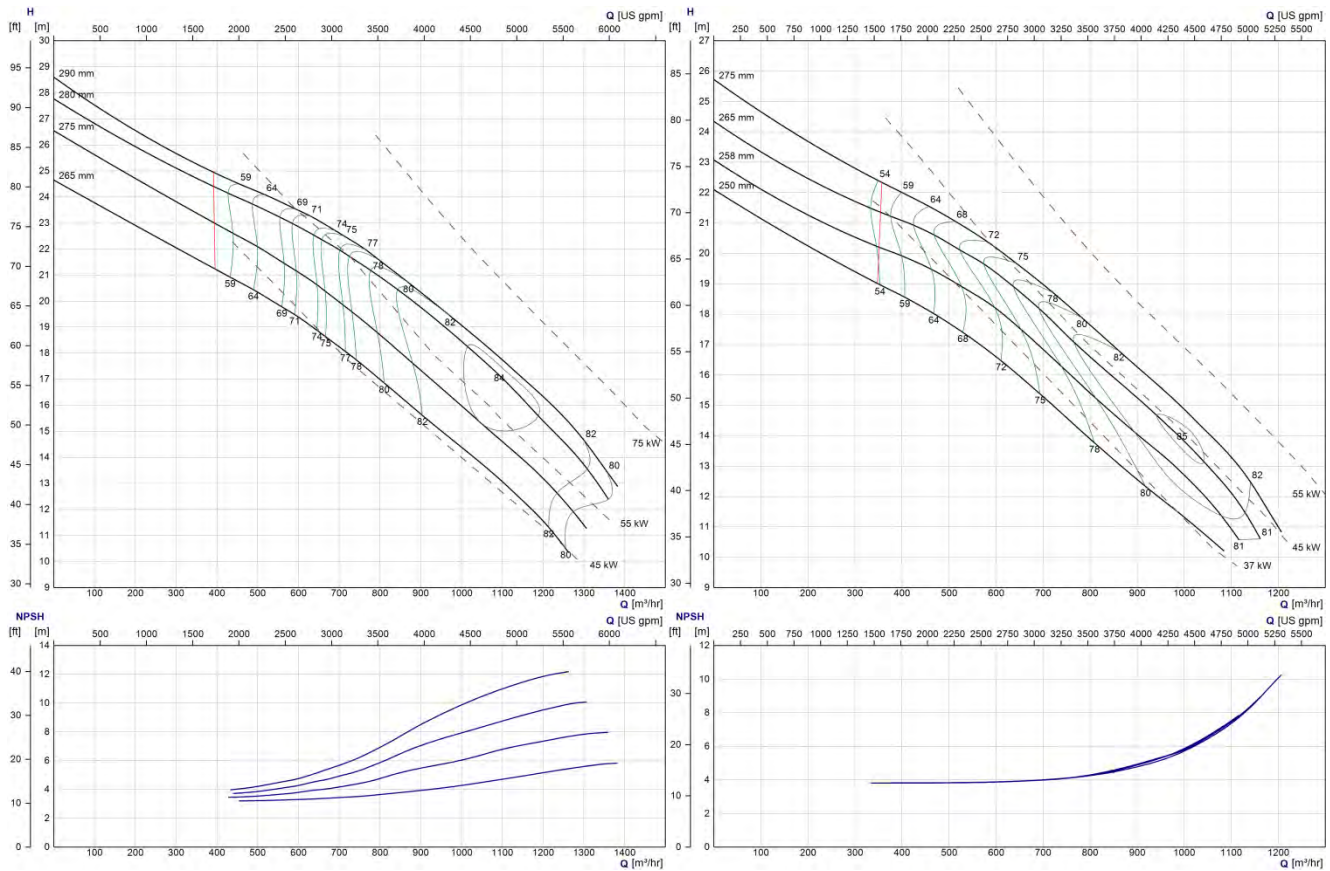
## e-HSC 4-Pole: 300-550 & 300-525 (12x16x22 & 12x16x21)



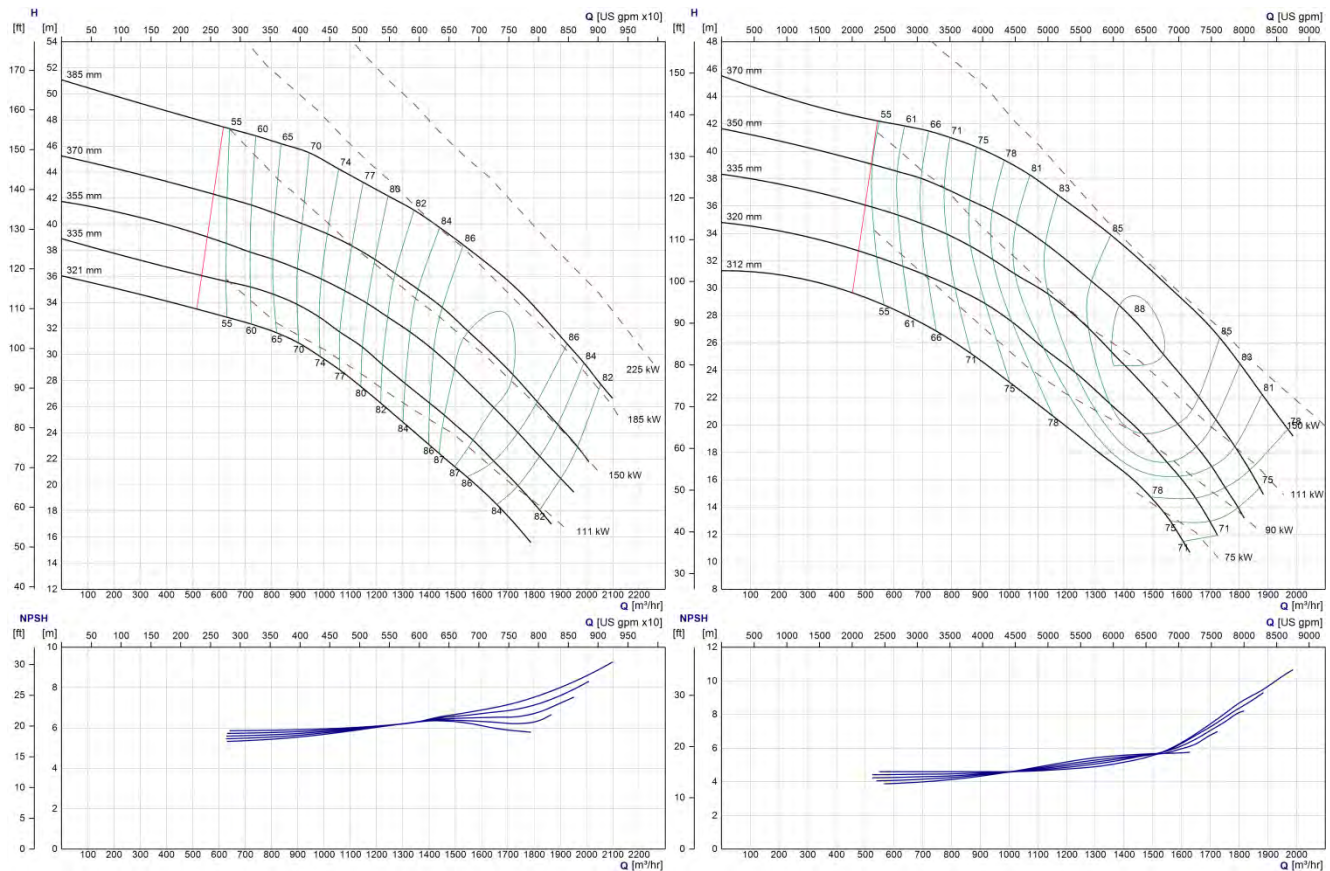
## e-HSC 4-Pole: 300-705 & 300-670 (12x16x28 & 12x16x27)



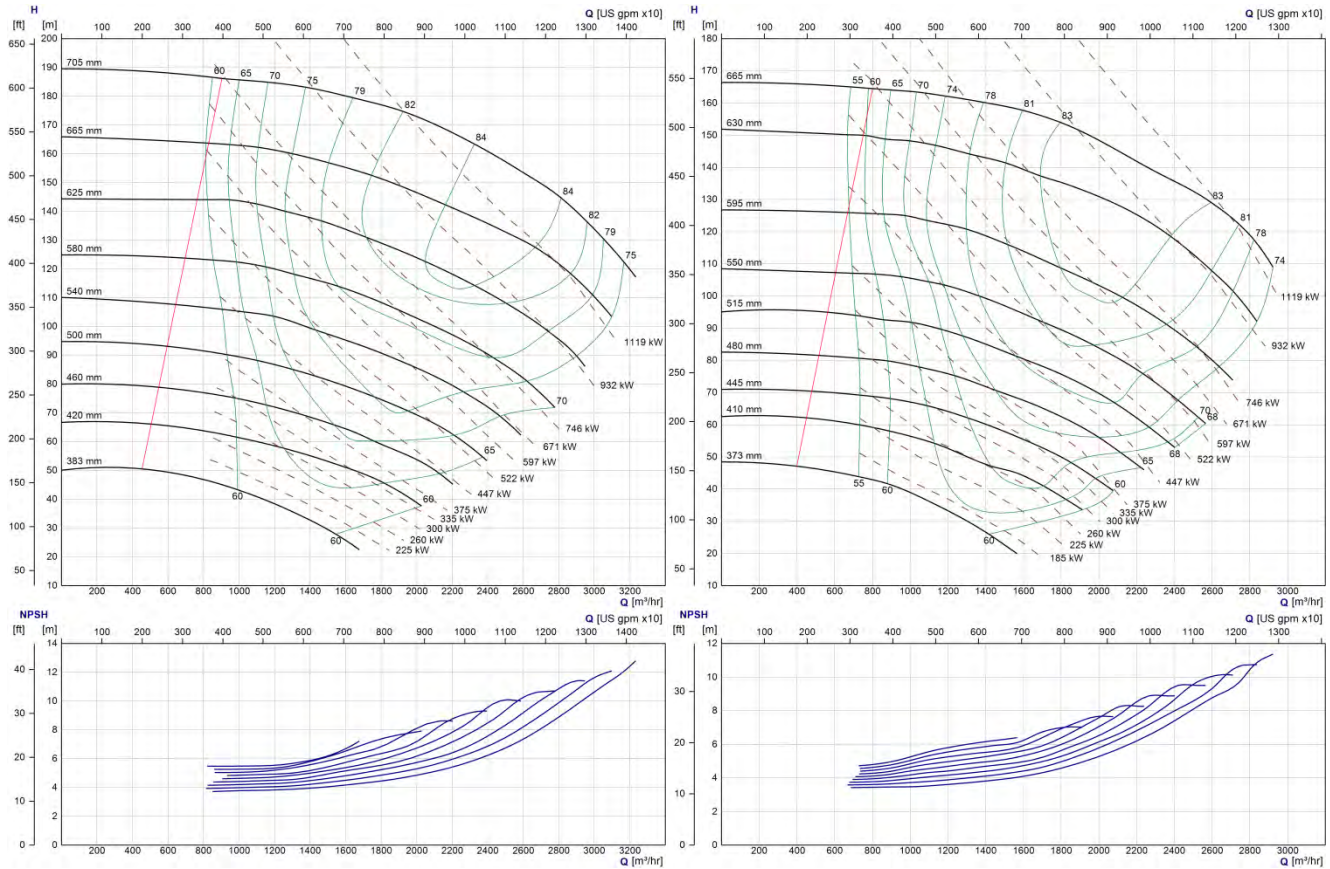
## e-HSC 4-Pole: 350-300 & 350-285 (14x14x12 & 14x14x11)



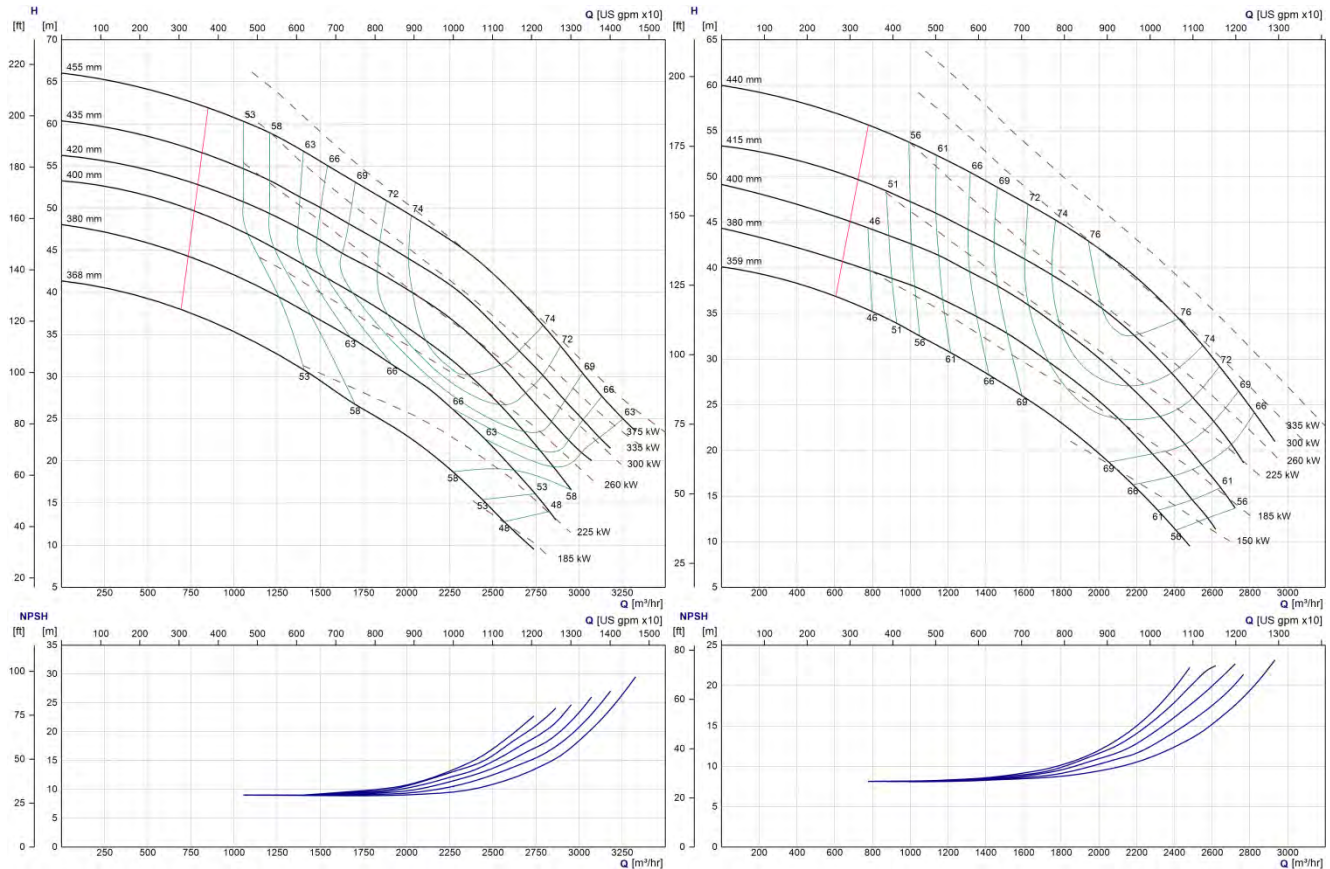
## e-HSC 4-Pole: 350-385 & 350-365 (14x16x15 & 14x16x14.5)



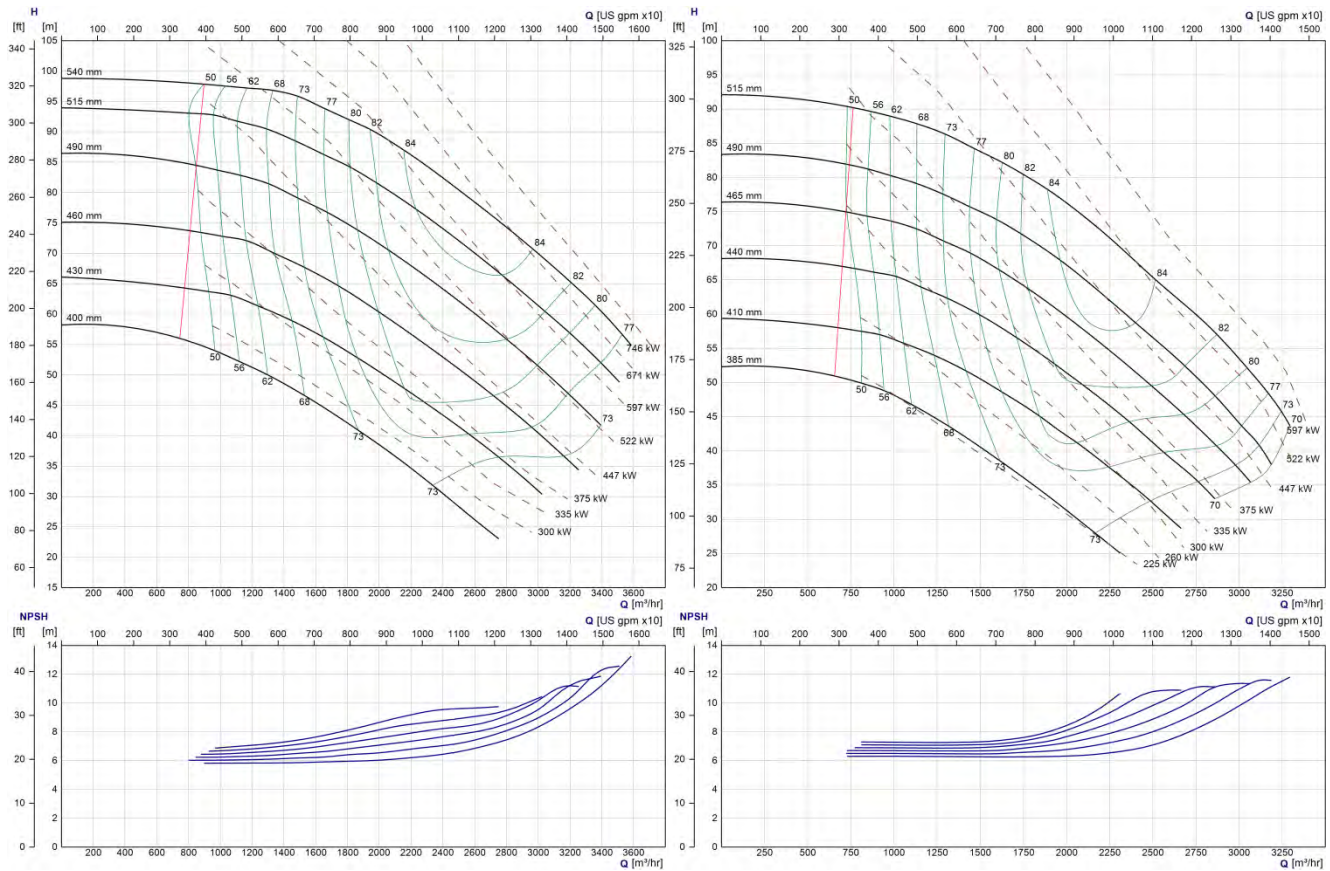
## e-HSC 4-Pole: 350-690 & 350-655 (14x16x27.5 & 14x16x26)



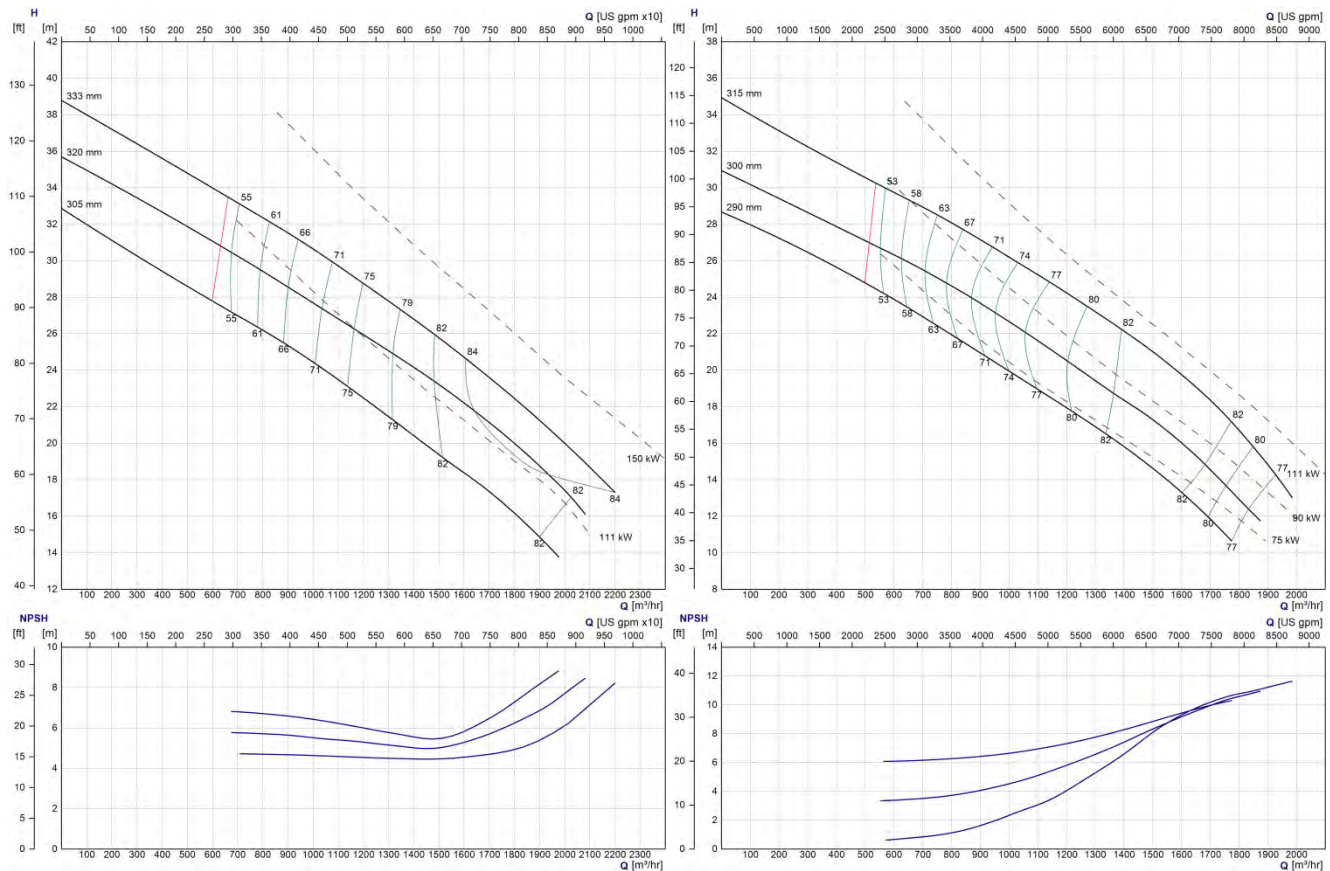
## e-HSC 4-Pole: 350-450 & 350-430 (14x18x18 & 14x18x17)



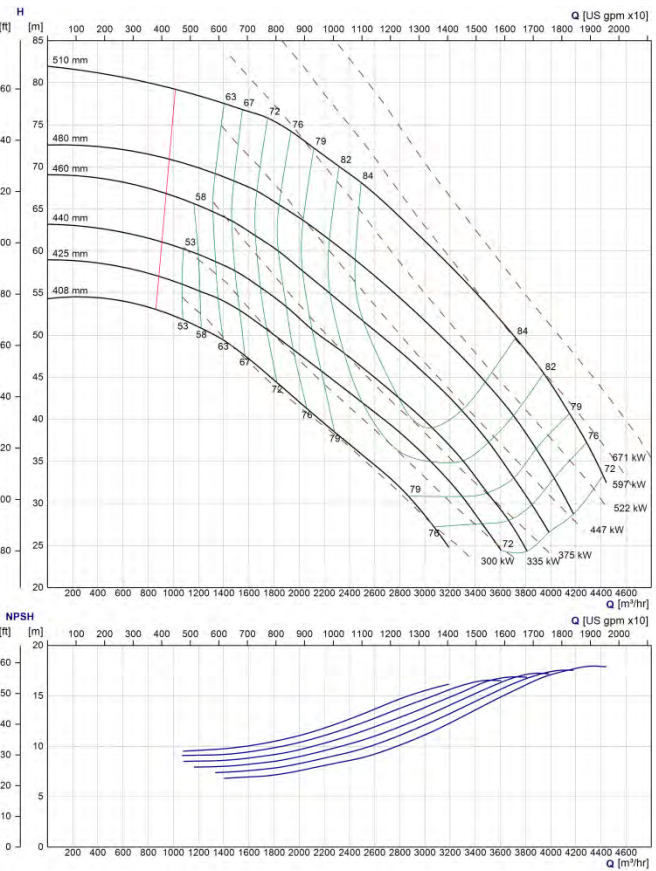
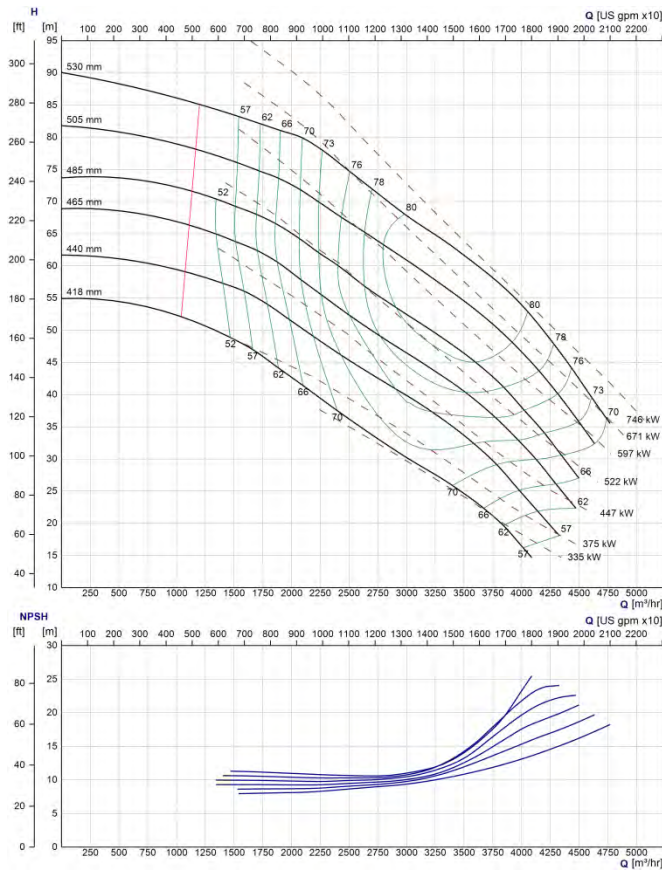
## e-HSC 4-Pole: 350-530 & 350-505 (14x18x21 & 14x18x20)



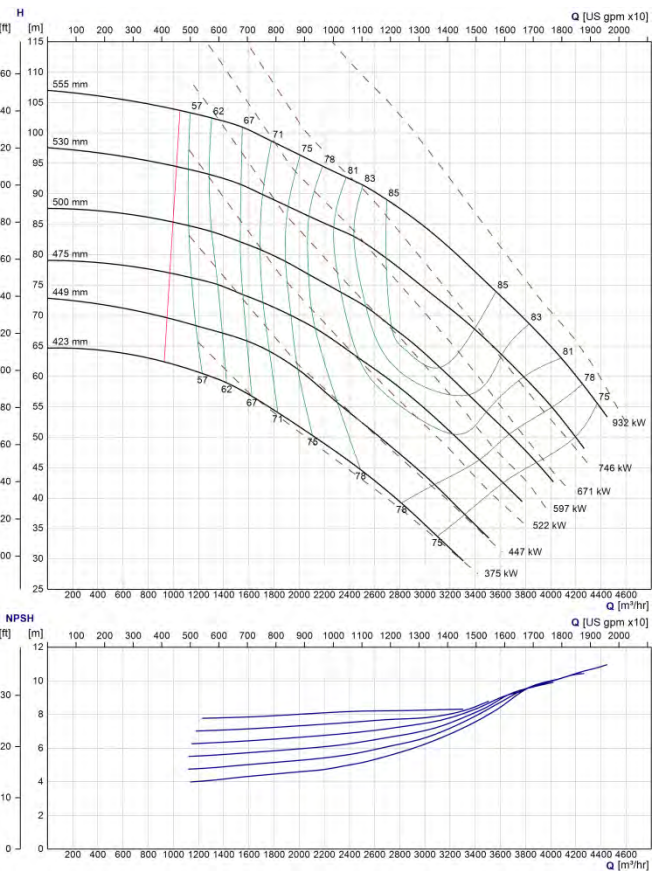
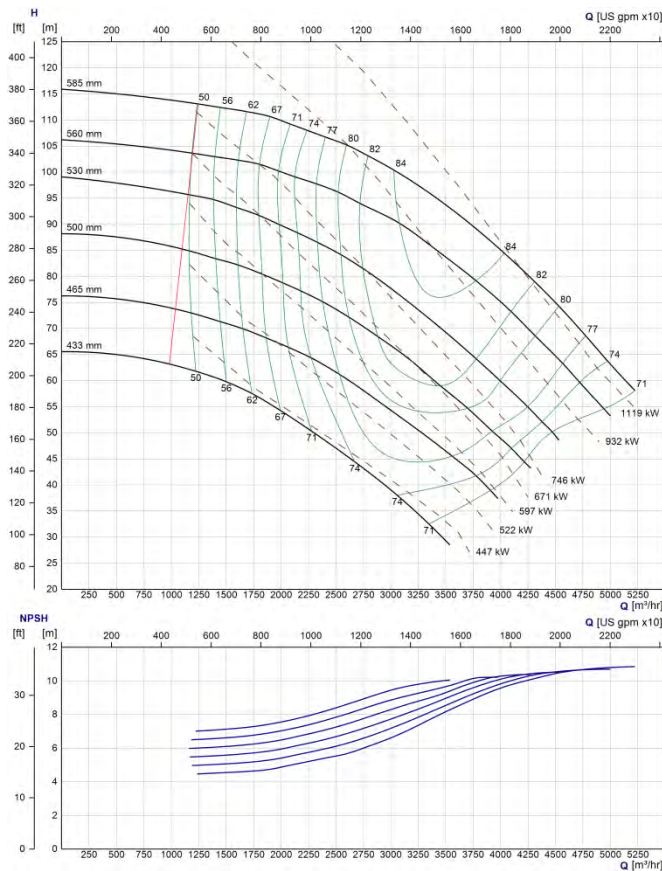
## e-HSC 4-Pole: 400-340 & 400-325 (16x16x13.5 & 16x16x13)



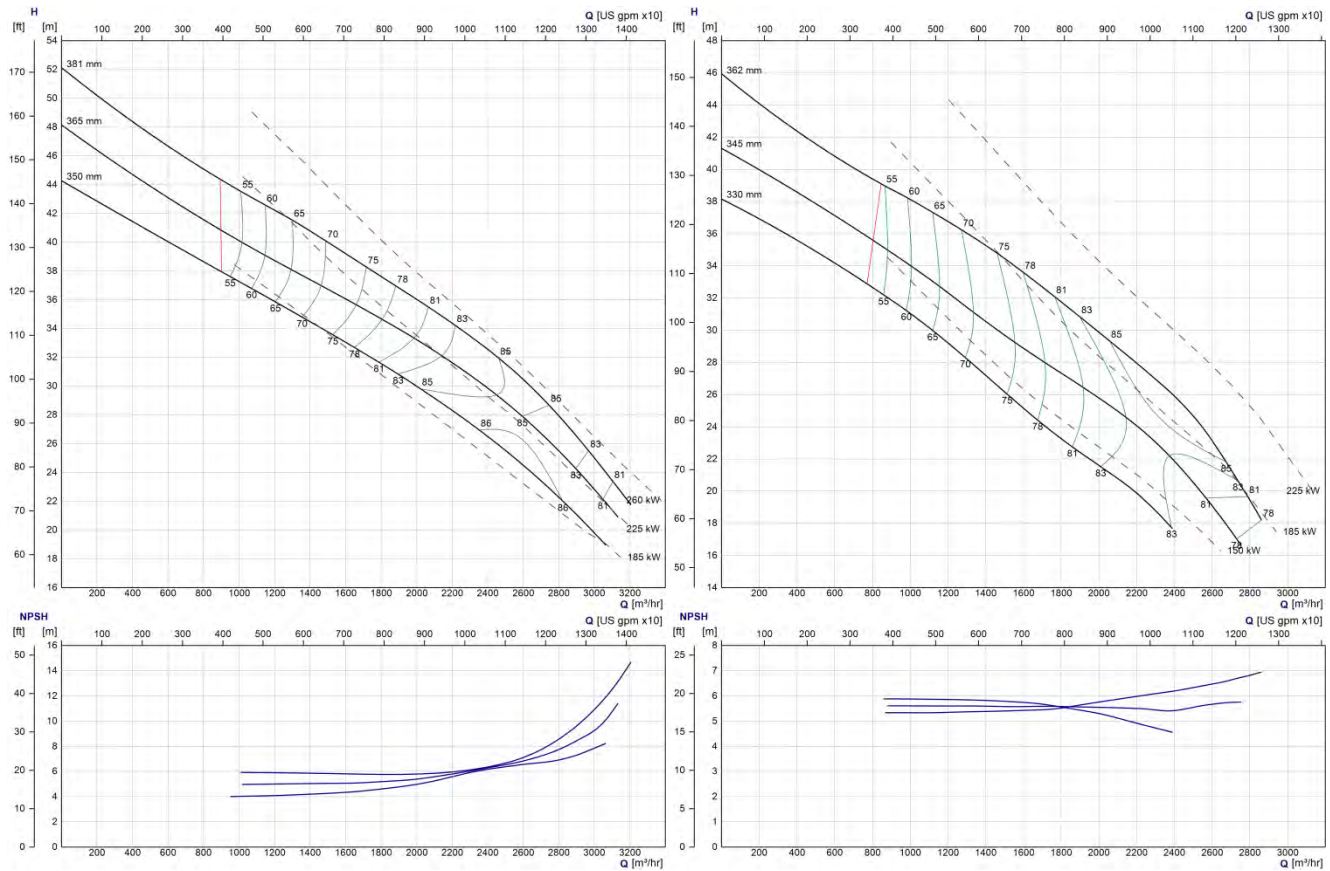
## e-HSC 4-Pole: 400-525 & 400-500 (16x20x20.5 & 16x20x19.5)



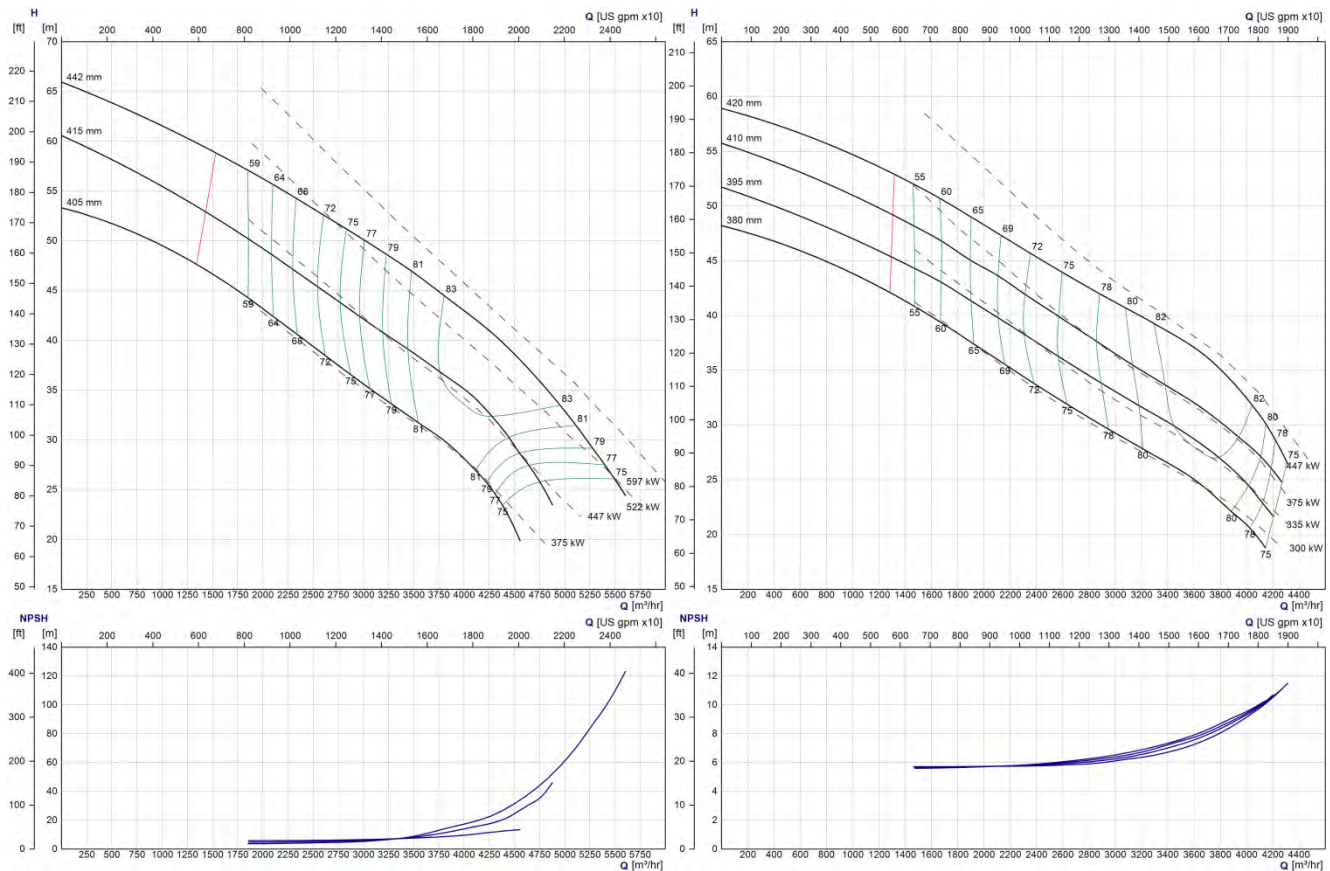
## e-HSC 4-Pole: 400-580 & 400-550 (16x20x23 & 16x20x22)



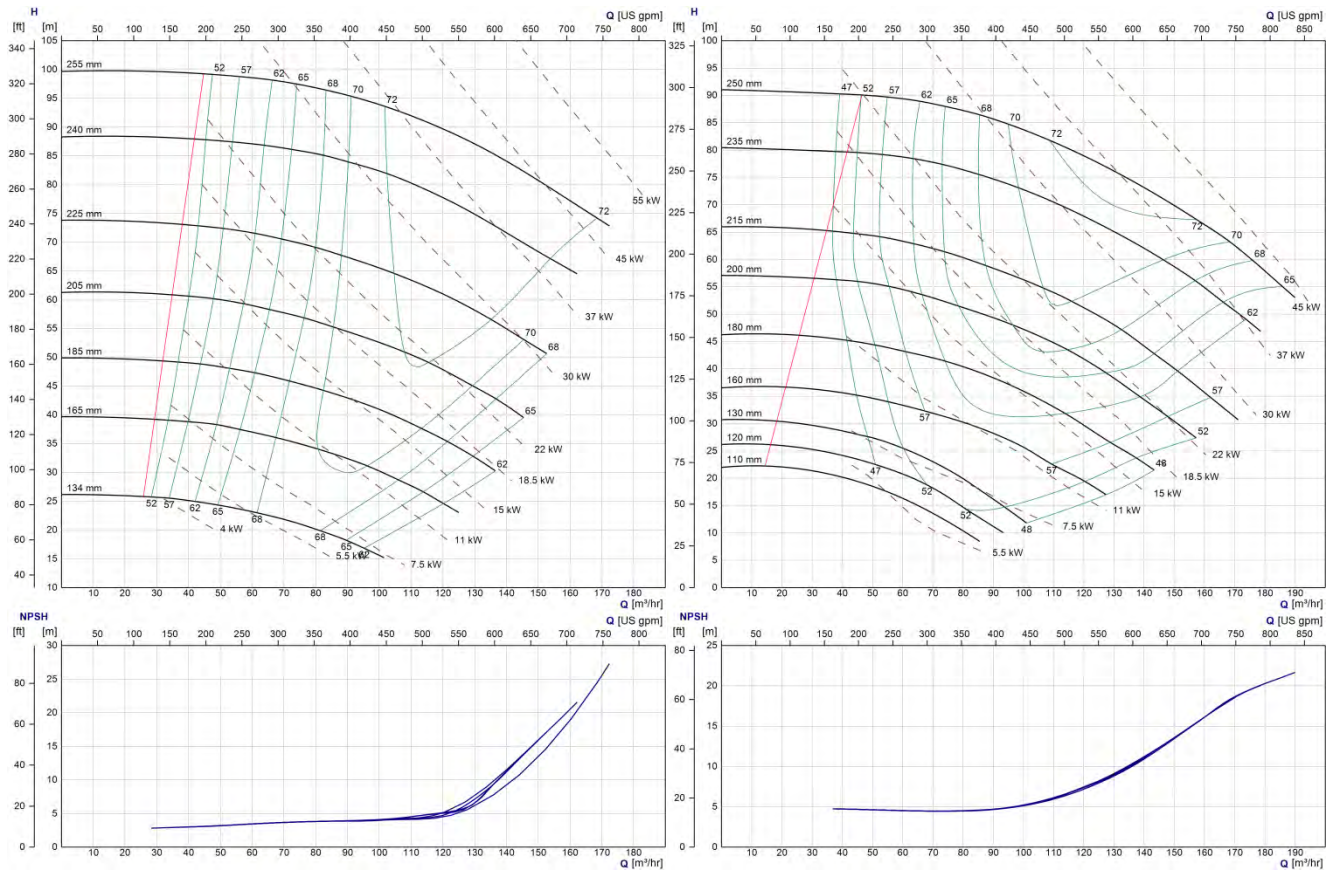
## e-HSC 4-Pole: 450-390 & 450-370 (18x20x15.5 & 18x20x14.5)



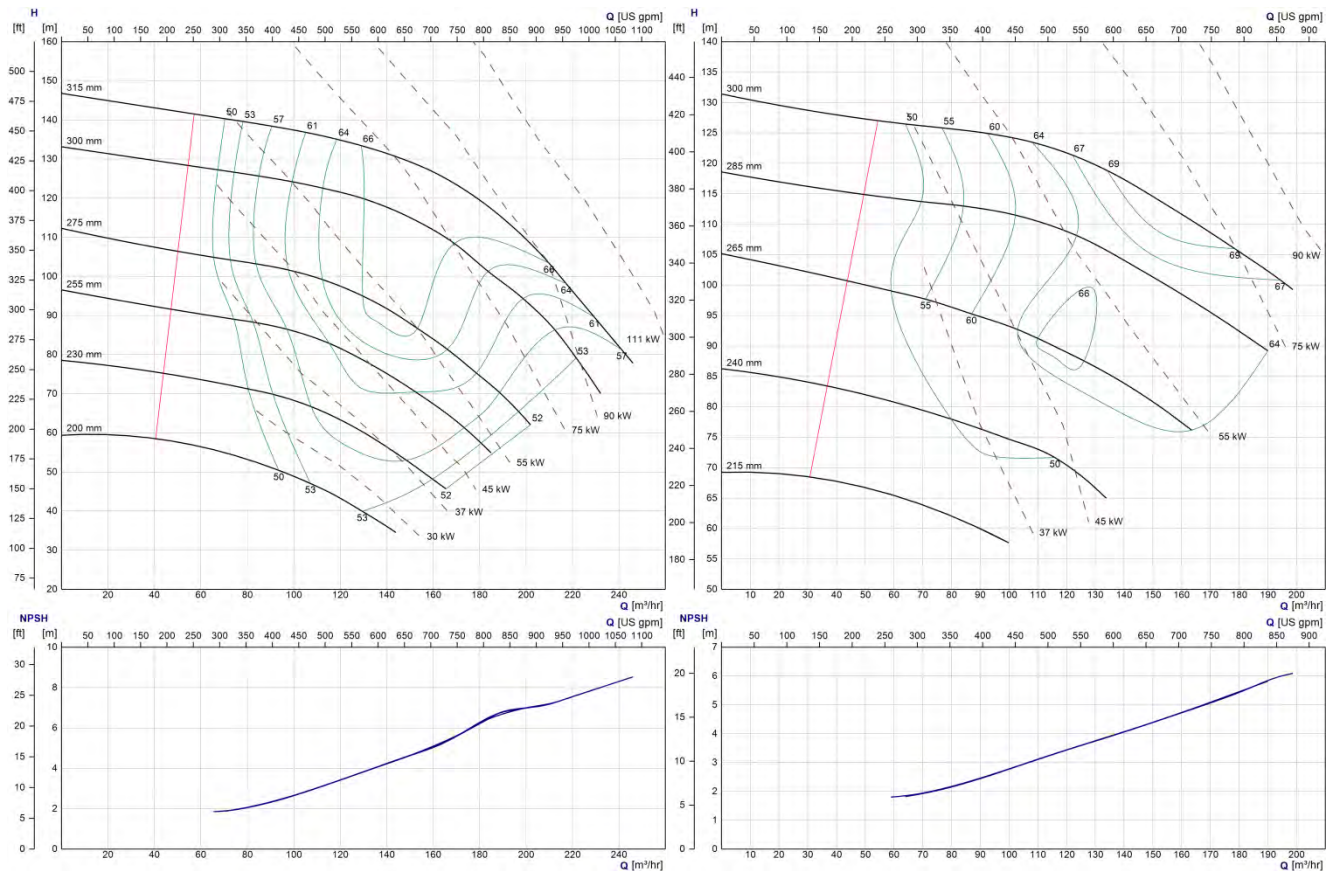
## e-HSC 4-Pole: 500-450 & 500-430 (20x24x18 & 20x24x17)



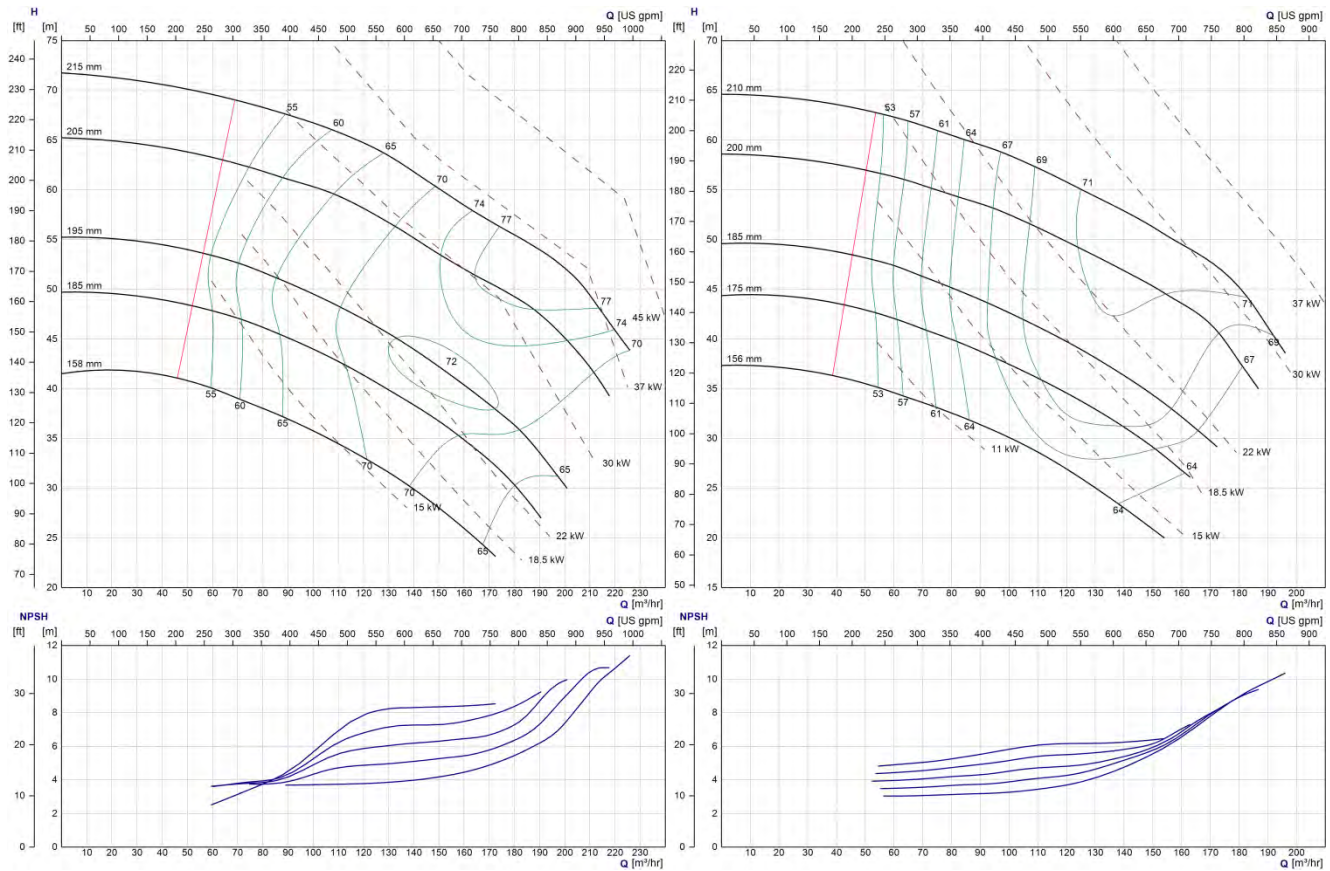
## e-HSC 2-Pole: 65-270 & 65-250 (2.5x4x10.5 & 2.5x4x10)



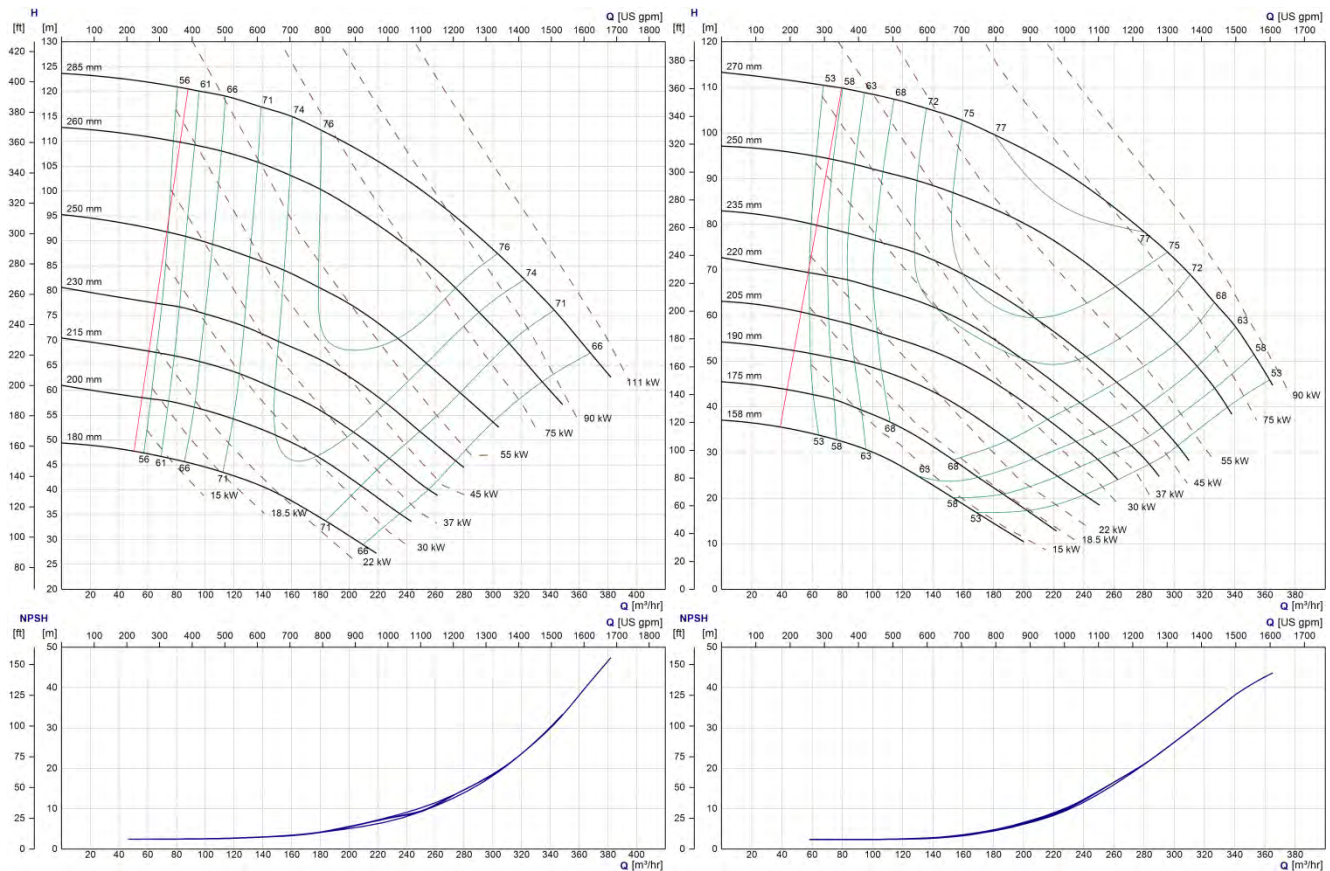
## e-HSC 2-Pole: 80-315 & 80-300 (3x4x12.5 & 3x4x12)



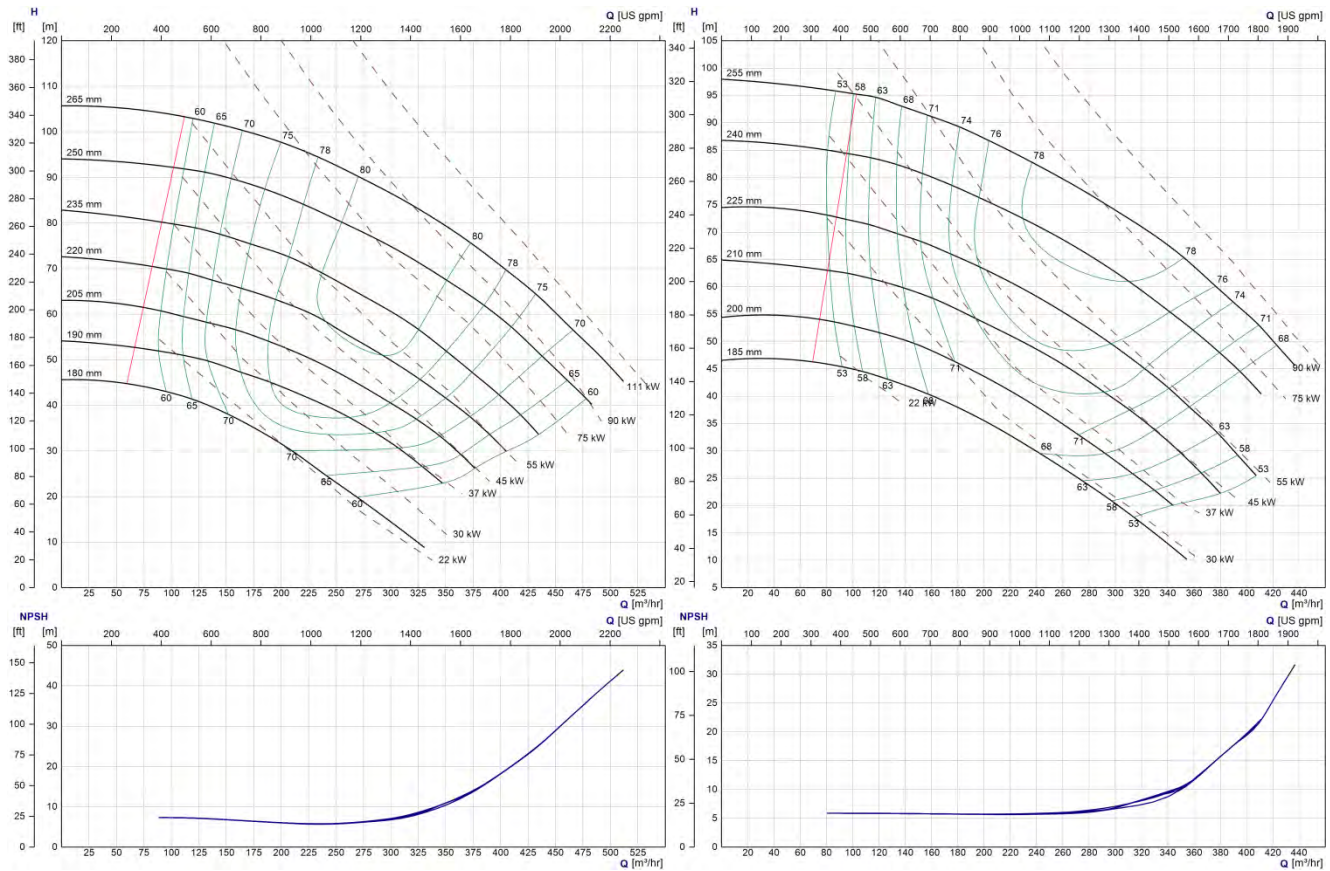
## e-HSC 2-Pole: 80-215 & 80-205 (3x5x8.5 & 3x5x8)



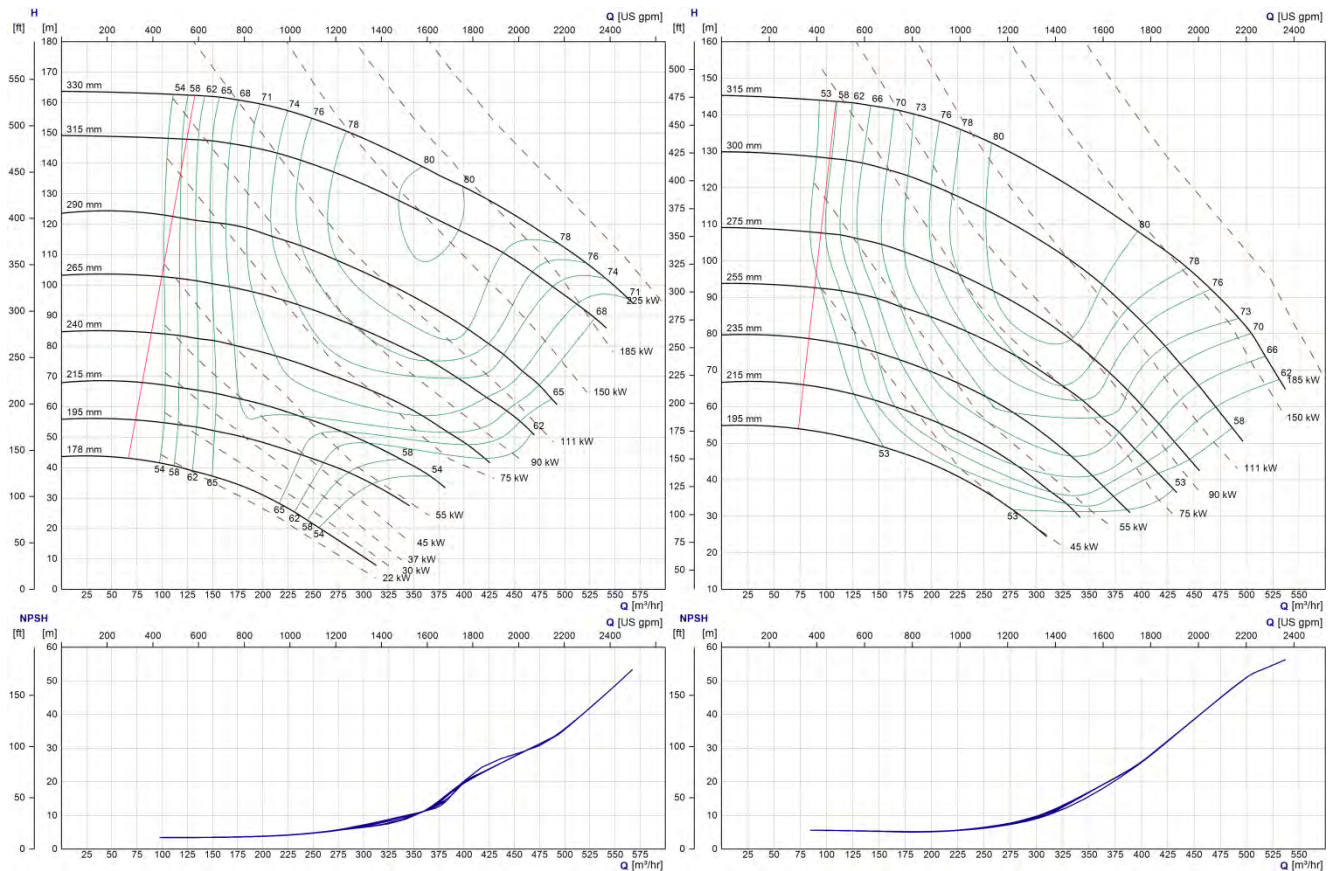
## e-HSC 2-Pole: 80-285 & 80-270 (3x5x11 & 3x5x10.5)



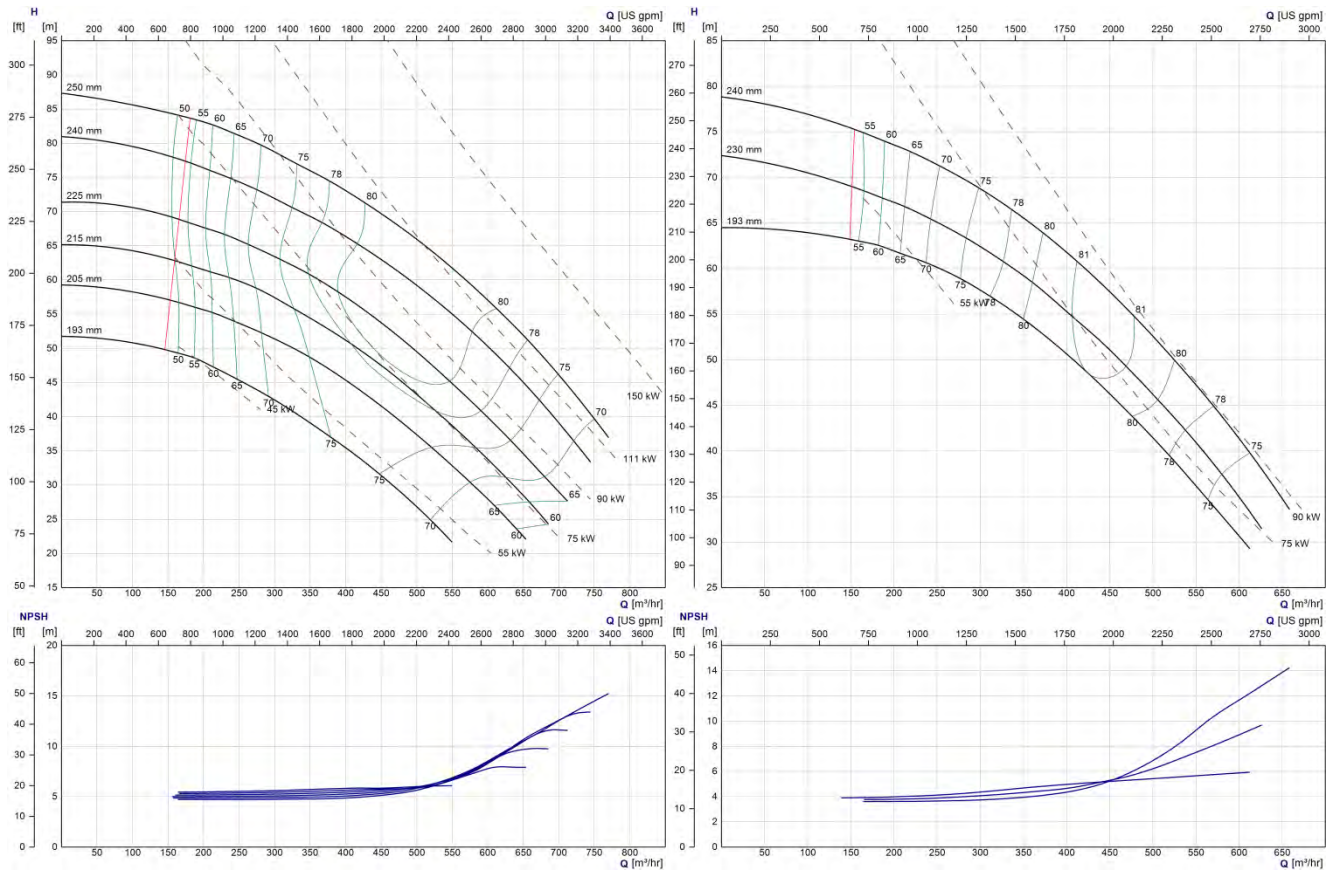
## e-HSC 2-Pole: 100-260 & 100-250 (4x6x10 & 4x6x9.5)



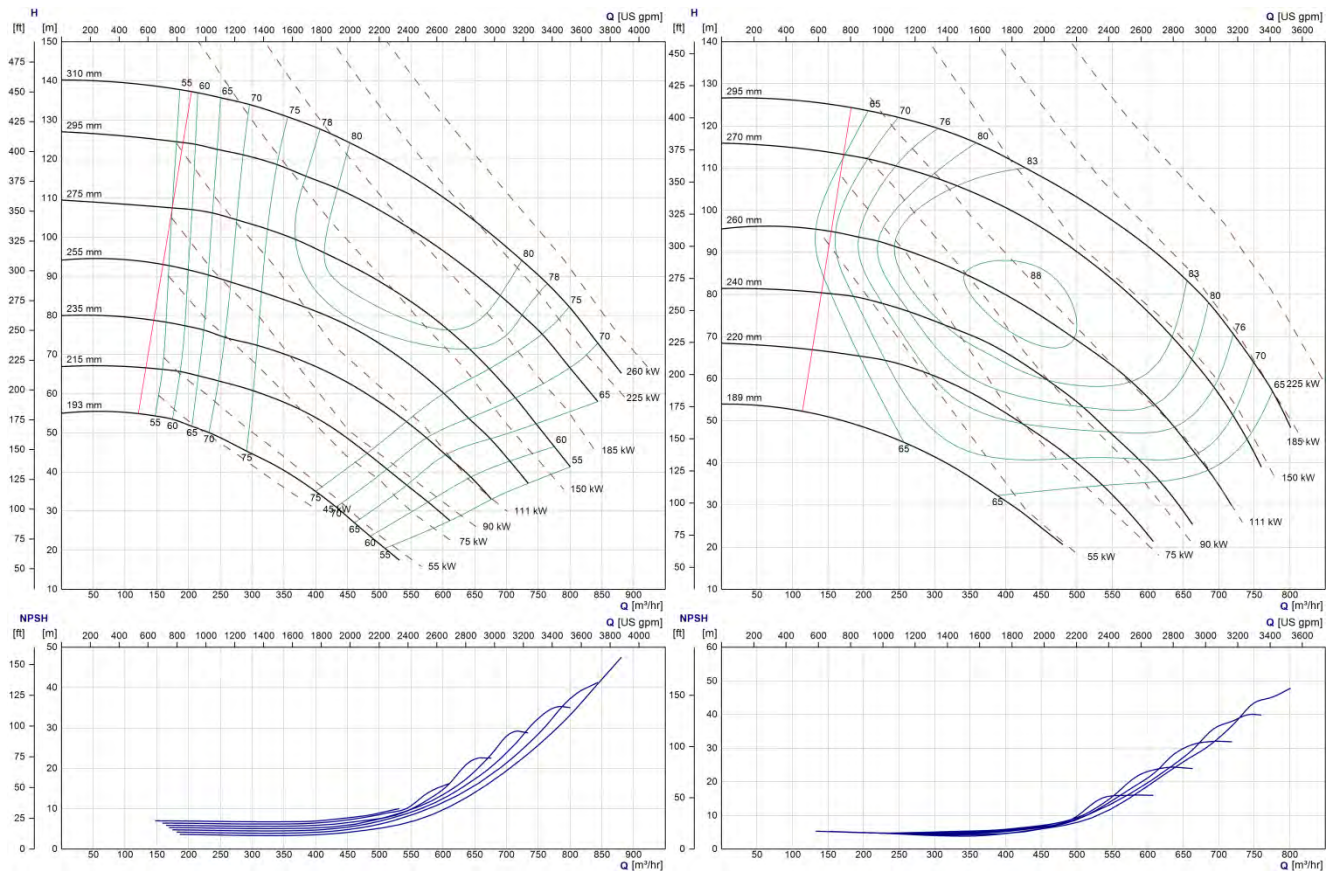
## e-HSC 2-Pole: 100-325 & 100-310 (4x6x13 & 4x6x12)



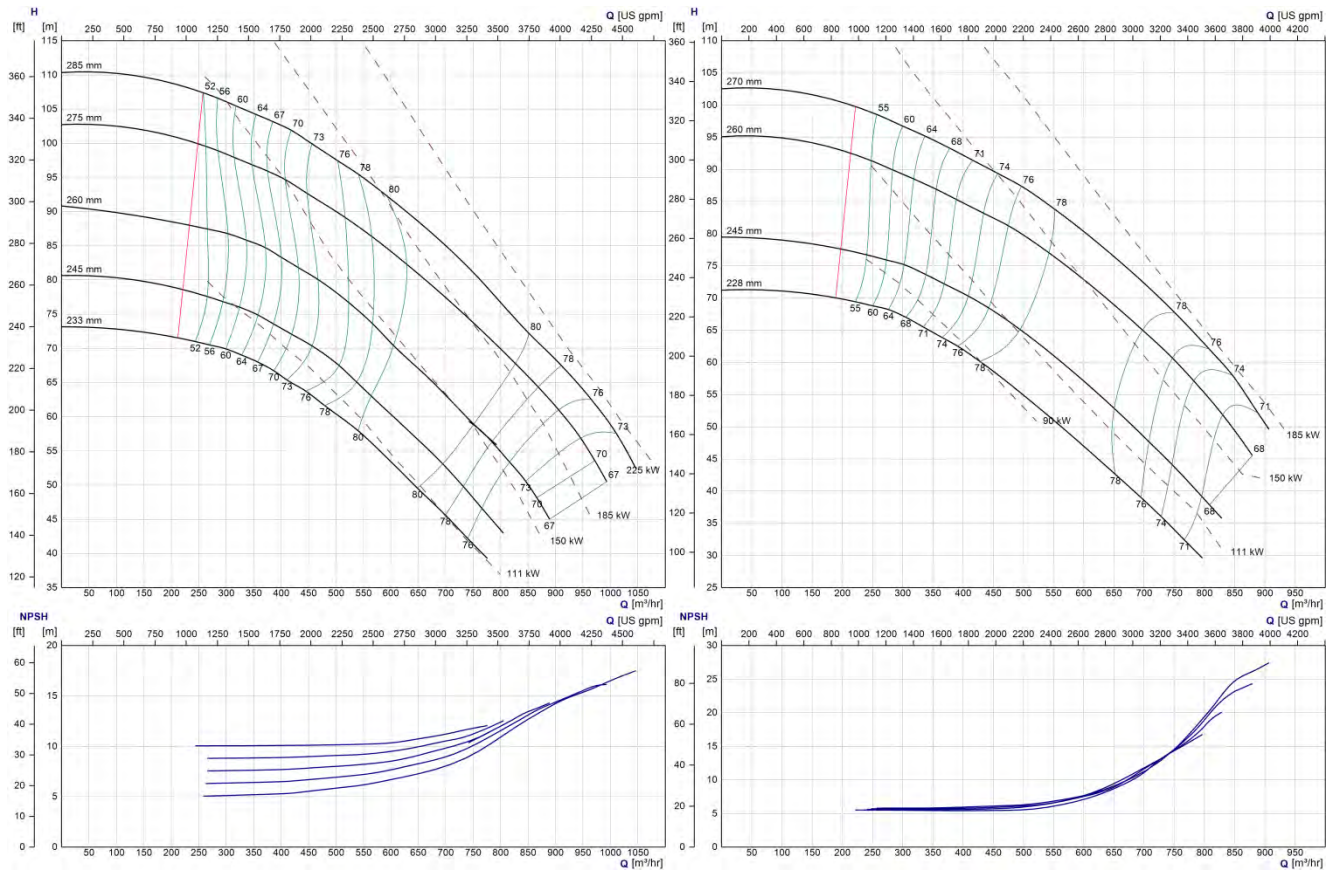
## e-HSC 2-Pole: 125-245 & 125-235 (5x8x9.5 & 5x8x9)



## e-HSC 2-Pole: 125-300 & 125-285 (5x8x12 & 5x8x11)



# e-HSC 2-Pole: 150-280 & 150-265 (6x10x11 & 6x10x10.5)



# Xylem |'zīləm|

- 1) The tissue in plants that brings water upward from the roots;
- 2) a leading global water technology company.

We're a global team unified in a common purpose: creating advanced technology solutions to the world's water challenges. Developing new technologies that will improve the way water is used, conserved, and re-used in the future is central to our work. Our products and services move, treat, analyze, monitor and return water to the environment, in public utility, industrial, residential and commercial building services settings. Xylem also provides a leading portfolio of smart metering, network technologies and advanced analytics solutions for water, electric and gas utilities. In more than 150 countries, we have strong, long-standing relationships with customers who know us for our powerful combination of leading product brands and applications expertise with a strong focus on developing comprehensive, sustainable solutions.

**For more information on how Xylem can help you, go to [www.xylem.com](http://www.xylem.com)**

We value your feedback. Please take our 3 question survey at **[bellgossett.com/survey](http://bellgossett.com/survey)** to let us know how we are doing.



Xylem Inc.  
8200 N. Austin Avenue  
Morton Grove, Illinois 60053  
Phone: (847) 966-3700  
Fax: (847) 965-8379  
[www.xylem.com/bellgossett](http://www.xylem.com/bellgossett)

Bell & Gossett is a trademark of Xylem Inc. or one of its subsidiaries.  
© 2019 Xylem Inc. B-196 November 2019