



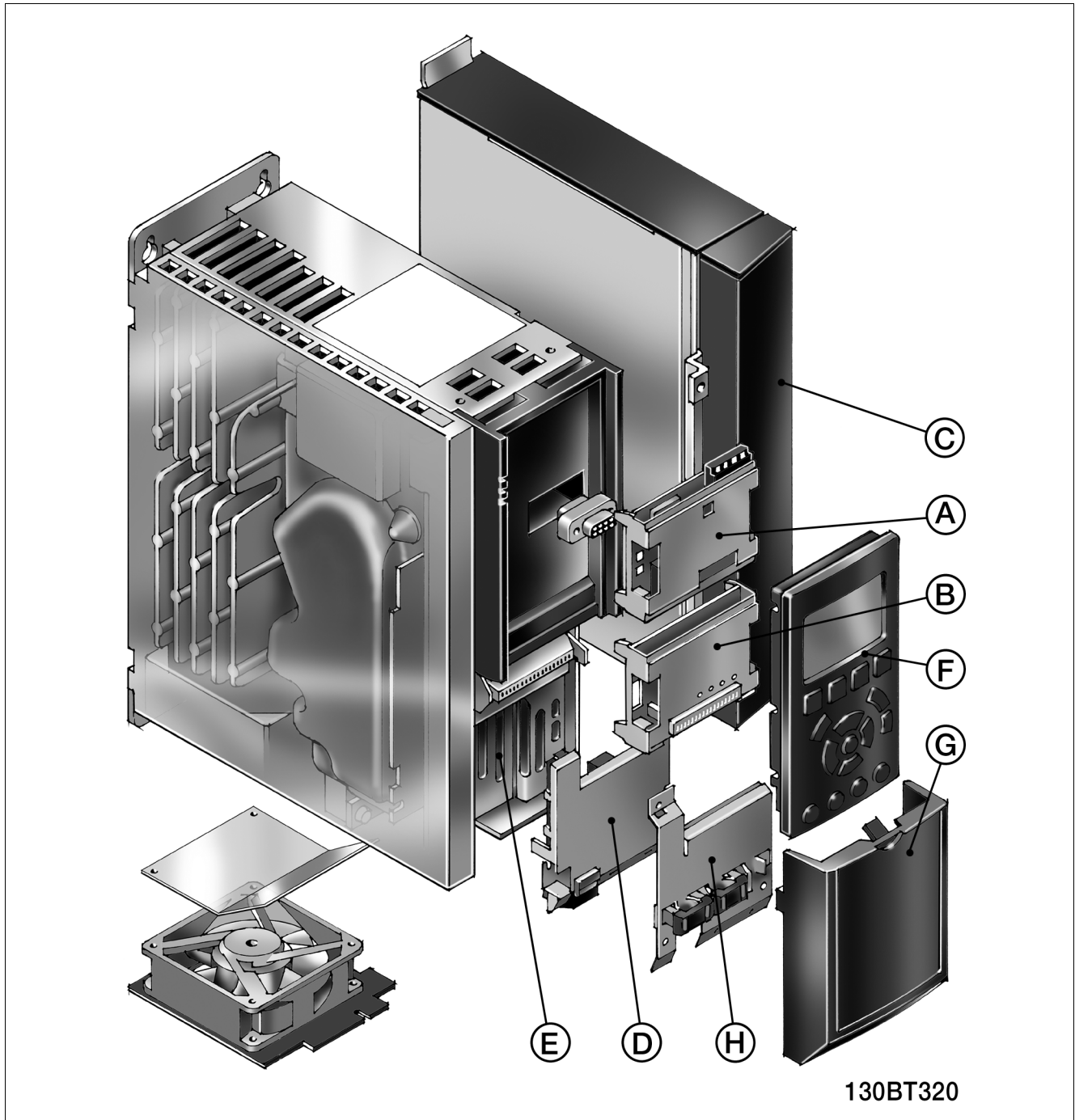
Instruction

FC 300 24 V DC Back-up
External Supply



VLT® AutomationDrive FC 300

□ Mechanical Build-up Installation



Follow these steps:

1. Remove the LCP (F) or Blind Cover
2. Remove the Terminal Cover (G)
3. Remove the Cable Decoupling Plate (H) and the plastic cover underneath
4. Insert the 24 V DC Back-up External Supply Option (D) in the Option Slot (E)
5. Mount the Cable Decoupling Plate (H)
6. Attach the Terminal Cover (G) and the LCP (F) or Blind Cover.

— FC 300 24 V External Supply Instruction —

□ **External 24 V DC Supply**

You can use the external 24 V DC supply as low-voltage supply to the control card or any option card installed. This enables full operation of the LCP (including the parameter setting) without connection to mains.

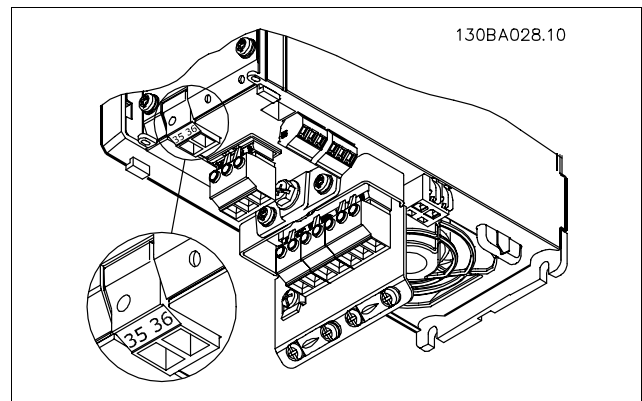
External 24 V DC supply specification

Input voltage range:	24 V DC $\pm 15\%$ (max. 37 V in 10 s)
Max. input current:	2.2 A
Max. cable length:	75 m
Input capacitance load:	$\leq 110\ \mu\text{F}$
Power-up delay:	$\leq 0.6\ \text{s}$

□ **24 V Back-Up Option**

Terminal numbers:

- Terminal 35: - external 24 V DC supply.
- Terminal 36: + external 24 V DC supply.



Connection to 24 V back-up supplier.



www.danfoss.com/drives

Danfoss can accept no responsibility for possible errors in catalogues, brochures and other printed material. Danfoss reserves the right to alter its products without notice. This also applies to products already on order provided that such alterations can be made without subsequential changes being necessary in specifications already agreed. All trademarks in this material are property of the respective companies. Danfoss and the Danfoss logotype are trademarks of Danfoss A/S. All rights reserved.

