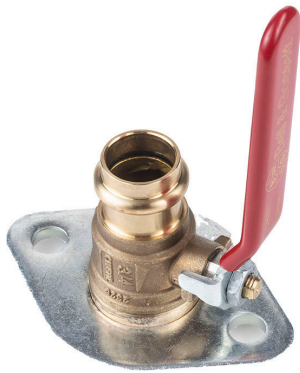


Job	Representative	
Unit tag	Order number	Date
Engineer	Submitted by	Date
Contractor	Approved by	Date



Isolation Flanges

NPT and Sweat Connection

The isolation flange is a combination of an isolation ball valve and a companion flange for circulators. The isolation flange allows easy service or replacement of the circulator without the need to drain the system. The isolation flange fits the Bell & Gossett NRF/NBF/SSF wet rotors, Series PL, Series 100, PR, LR, and ecocirc 20-18 and ecocirc+ 20-18 circulators. Available Sizes: ¾", 1", 1¼" & 1½" (refer to dimension and weight table for details)

Construction materials

Valve body: Lead-Free† Brass

Flange: Chrome Plated Steel

Ball: Chrome Plated Lead-Free† Brass

Packing: PTFE

Seat ring: PTFE

Stem: Lead-Free† Brass

Operating data

Maximum working pressure:
150 psig (10 bar)

Temperature range: 200°F (93°C)

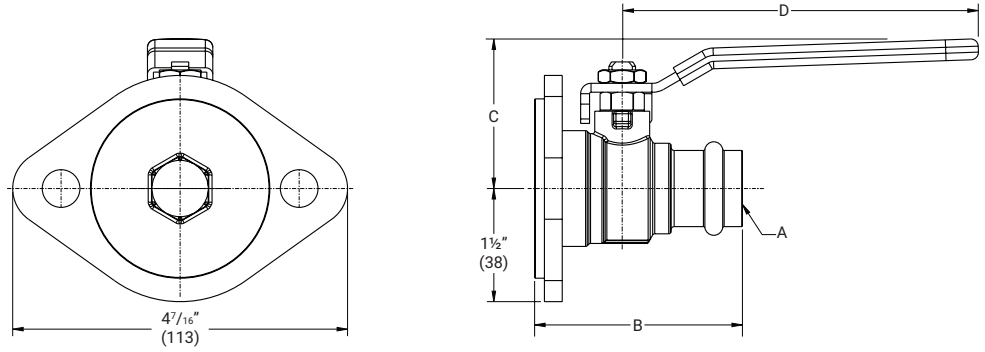
† CSA certified to NSF/ANSI 372 that product contains less than 0.25% lead content by weight on wetted surface.

Schedule

Part number	Size (in.)	Use with following Bell & Gossett Circulators	Tagging	Quantity
101221LF	¾" NPTF IF	NRF/NBF/SSF*, Series PL-30, PL-36, PL-55, Series 100, PR, LR, and ecocirc 20-18 and ecocirc+ 20-18		
101222LF	1" NPTF IF			
101223LF	1¼" NPTF IF			
101241LF	1½" NPTF IF			
101226LF	¾" SWT IF			
101227LF	1" SWT IF			
101228LF	1¼" SWT IF			
101243LF	1½" SWT IF			
101255LF	¾" PC X FL			
101256LF	1" PC X FL			
101257LF	1¼" PC X FL			
101258LF	1½" PC X FL			

* Not for use for NRF/NBF-45

Isolation Flanges



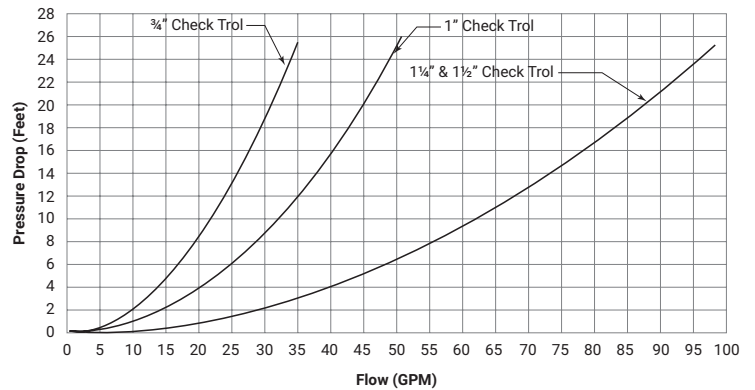
Dimensions

Part no.	Dimensions - inches (mm)				Approx. shipping weight - lbs (kg)
	A	B	C	D	
101221LF	3/4" NPT	2 ²⁷ / ₆₄ " (61.5)	2" (50.5)	4 ²³ / ₃₂ " (120.0)	3.4 (1.5)
101222LF	1" NPT	2 ⁵⁷ / ₆₄ " (73.3)	2 ⁵ / ₃₂ " (54.7)	4 ²³ / ₃₂ " (120.0)	4.4 (2.0)
101223LF	1 1/4" NPT	3 ¹⁹ / ₆₄ " (84.0)	3" (75.9)	6 ⁷ / ₃₂ " (158.0)	6.3 (2.8)
101241LF	1 1/2" NPT	3 ²³ / ₆₄ " (85.5)	3" (75.9)	6 ⁷ / ₃₂ " (158.0)	6.6 (3.0)
101226LF	3/4" SWT	2 ⁴¹ / ₆₄ " (67.0)	2" (50.5)	4 ²³ / ₃₂ " (120.0)	3.4 (1.5)
101227LF	1" SWT	3.000" (75.3)	2 ⁵ / ₃₂ " (54.7)	4 ²³ / ₃₂ " (120.0)	4.2 (1.9)
101228LF	1 1/4" SWT	3 ²⁵ / ₆₄ " (86.0)	3" (75.9)	6 ⁷ / ₃₂ " (158.0)	5.9 (2.7)
101243LF	1 1/2" SWT	3 ³⁵ / ₆₄ " (90.0)	3" (75.9)	6 ⁷ / ₃₂ " (158.0)	6.5 (3.0)
101255LF	3/4" PC	2 3/4 (70)	2" (50.4)	4 ²³ / ₃₂ " (120.0)	1.29 (0.59)
101256LF	1" PC	3 1/8 (79.4)	2 ⁵ / ₃₂ " (54.7)	4 ²³ / ₃₂ " (120.0)	1.62 (0.73)
101257LF	1 1/4" PC	3 1/2 (89)	3" (75.9)	6 ¹⁵ / ₆₄ " (158.4)	2.61 (1.18)
101258LF	1 1/2" PC	3 ¹⁵ / ₁₆ (100)	3" (75.9)	6 ¹⁵ / ₆₄ " (158.4)	2.7 (1.22)

Dimensions and weights are approximate and subject to change. Contact factory for certified dimensions. The part numbers and shipping weights are for two isolation flanges, capscrews and nuts.

Typical specifications

Furnish and install on plans _____ inches NPT/Sweat x Flange Check-Trol Flange on the pump discharge. The Check-Trol Flange will prevent gravity circulation and flow in the wrong direction. When closed, it will provide positive shut-off. The mating flange shall be free floating allowing it to rotate eliminating the need to align the bolt holes of the flanges when installing to the piping system. The Check-Trol Flange shall be constructed with a brass body, chrome plated brass ball, chrome plated steel flange and handle, and PTFE packing and seat ring and a non-ferrous check. The Check-Trol Flange shall be manufactured by Xylem – Bell & Gossett or equal.



Xylem
8200 N. Austin Avenue
Morton Grove, IL 60053
Tel +1 847.966.3700
Fax +1 847.965.8379
xylem.com/bellgossett

This information is subject to revision without notice. Users are responsible for evaluating suitability for specific applications. Xylem makes no implied warranties including without limitation warranties as to fitness for a particular purpose. Xylem makes no representation regarding the completeness or accuracy of this information and is not liable for any direct or indirect damages arising from or relating to this information or its use.
© 2025 Xylem Inc. or its affiliate. All rights reserved. Bell & Gossett is a trademark of Xylem or one of its subsidiaries.
A-137D February 2025

