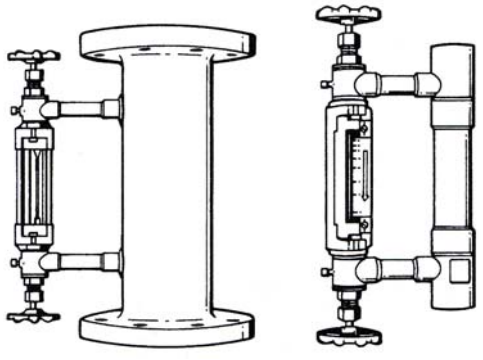


JOB:	REPRESENTATIVE:	
UNIT TAG:	ORDER NO.	DATE:
ENGINEER:	SUBMITTED BY:	DATE:
CONTRACTOR:	APPROVED BY:	DATE:



Thermoflo® Indicator

Engineered Products

DESCRIPTION

The Thermoflo Indicator is an indicating flow meter for measuring the flow of heated or chilled water. Installed in each circuit of a hydronic system, it permits simple balancing to meet design flow conditions.

CONSTRUCTION – SIZES 1-1/4" TO 2-1/2"

Fittings - bronze; connecting tube - copper, shut-off valves - brass; indicator body - cast iron; indicator tube - Borosilicate glass; indicating device Type 302 - stainless steel.

CONSTRUCTION - SIZES 3" TO 8"

Main body - steel pipe and flanges; other construction identical with above.

SCHEDULE

MODEL NUMBER	SIZE INCHES	FLOW RANGE GPM (LITERS/MIN)	TAGGING INFORMATION	QUANTITY
TFI-1-1/4	1-1/4	10-40 (37.8-151.4)		
TFI-1-1/2	1-1/2	15-69 (56.8-261.2)		
TFI-2	2	25-85 (94.6-321.8)		
TFI-2-1/2	2-1/2	50-170 (189.3-643.5)		
TFI-3	3	80-260 (302.8-984.2)		
TFI-4	4	150-500 (567.8-1892.7)		
TFI-5	5	250-750 (946.4-2839.0)		
TFI-6	6	400-1000 (1514.2-3785.4)		
TFI-8	8	700-1950 (2649.8-7381.5)		

MAXIMUM WORKING PRESSURE: 125 PSIG (862 kPa)

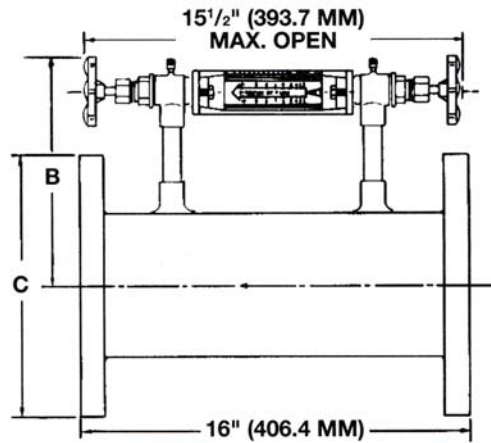
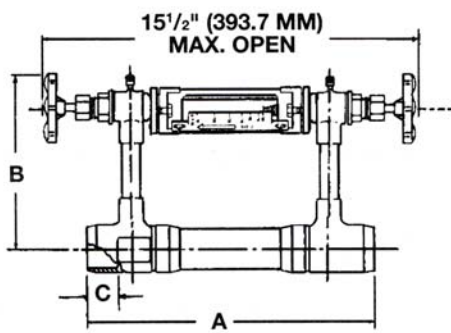
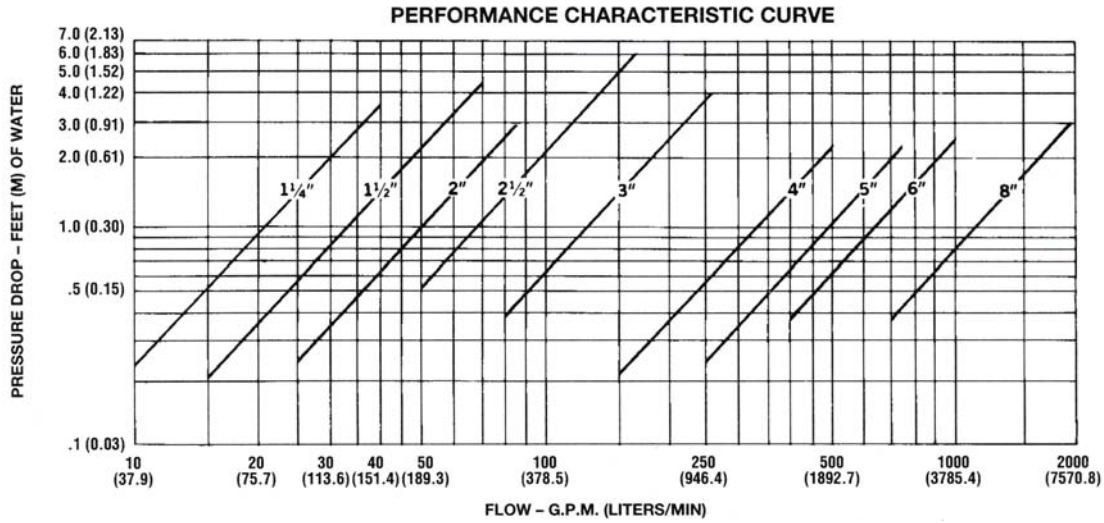
MAXIMUM OPERATING PRESSURE: 250°F (121°C)

TYPICAL SPECIFICATION

Furnish and install as shown on plans flow indicating devices of the diverting type. Each device is to have a by-pass circuit containing a flow indicator with shut-off valves to isolate all working parts from the system and allow removal for cleaning without system shut-down. Each unit shall be individually tested and calibrated by the manufacturer and shall be suitable for operation at 125 psig (862 kPa) pressure and 250°F (121°C) temperature.

Units 2½" and smaller shall have copper solder joint connections; units 3" and larger shall be 150# ANSI flanged. Design of units shall permit installation in any position.

All units to be Xylem Bell & Gossett Model No. _____ Thermoflo Indicators.



MODELS TFI-4 THRU TFI-8 ARE INDIRECT READING

DIMENSIONS AND WEIGHTS

MODEL NUMBER	TYPE	DIMENSIONS IN INCHES (MM)			APPROX. SHIPPING WGT LBS. (Kg)
		A	B	C	
TFI-1-1/4	SWEAT	11-15/16 (287.3)	5-3/4 (146.1)	31/32 (24.6)	7 (3.2)
TFI-1-1/2	SWEAT	11-5/8 (295.3)	5-7/8 (149.2)	1-3/32 (27.8)	7 (3.2)
TFI-2	SWEAT	12-1/16 (306.4)	6-1/4 (158.8)	1-11/32 (34.1)	8 (3.6)
TFI-2-1/2	SWEAT	12-9/16 (319.1)	6-5/8 (168.3)	1-15/32 (37.3)	10 (4.5)
TFI-3	FLANGE	-	7-5/8 (193.7)	7-1/2 (190.5)	40 (18.1)
TFI-4	FLANGE	-	8-1/8 (206.4)	9 (228.6)	52 (23.6)
TFI-5	FLANGE	-	8-5/8 (219.1)	10 (254.0)	64 (29.0)
TFI-6	FLANGE	-	9-3/16 (233.4)	11 (279.4)	67 (30.4)
TFI-8	FLANGE	-	10-3/16 (258.8)	13-1/2 (342.9)	100 (45.4)

NOTE:

1. System pH must be maintained between 7 and 9.
2. Shut off valves should be closed after balancing to prevent damage from shock or accidental glass breakage.

Xylem Inc.
8200 N. Austin Avenue
Morton Grove, IL 60053
Phone: (847)966-3700
Fax: (847)965-8379
www.xyleminc.com/brands/bellgossett



Bell & Gossett is a trademark of Xylem Inc. or one of its subsidiaries.
© 2012 Xylem Inc.