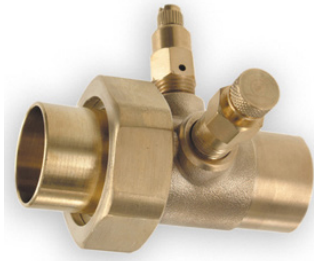


JOB:
REPRESENTATIVE:

 UNIT TAG:
 ENGINEER:
 CONTRACTOR:

 ORDER NUMBER:
 SUBMITTED BY:
 APPROVED BY:

 DATE:
 DATE:
 DATE:


Model UA

Union Accessory

DESCRIPTION

The Bell & Gossett UA is a combination union, component isolation, and commissioning accessory for use in HVAC systems. Union Accessories are furnished with one manual air vent and one pressure/temperature port for commissioning. A variety of pipe connections are available on both the fixed and union ends.

CONSTRUCTION

Body: C37000 Brass
Taps: Two 1/4" NPT spaced 90° apart
O-rings: EPDM

MAXIMUM WORKING PRESSURE

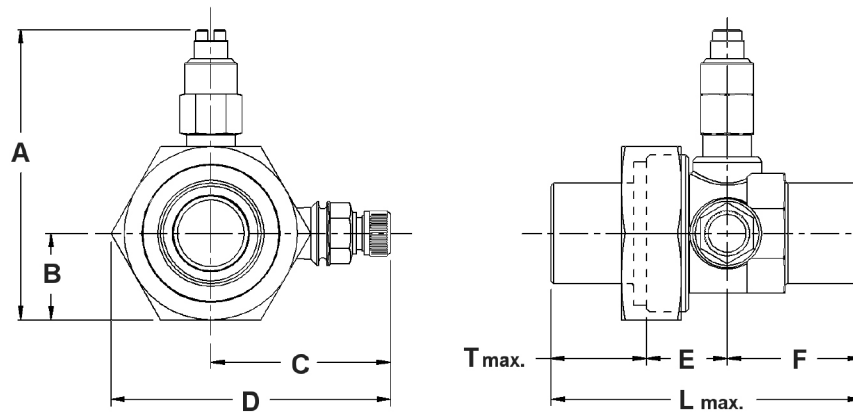
400 psig (2,758 kPa)

TEMPERATURE RANGE

-4°F (-20°C) to 250°F (121°C)

SCHEDULE

Valve Size Fixed End	Tagging Information	Quantity
1/2" Sweat Female		
1/2" NPT Female		
3/4" Sweat Female		
3/4" NPT Female		
1" Sweat Female		
1" NPT Female		
1 1/4" Sweat Female		
1 1/4" NPT Female		
1 1/2" Sweat Female		
1 1/2" NPT Female		
2" NPT Female		
2" Sweat Female		



DIMENSIONS AND WEIGHTS

Valve Size Fixed End	Connection Fixed End	Dimensions* Inch (mm)								Approx. Weight Lbs.
		A	B	C	D	E	F	T (Max)	L (Max)	
½"	Sweat Female	2.76 (70.1)	0.73 (18.4)	1.95 (49.4)	2.76 (70.0)	0.89 (22.6)	1.22 (30.9)	1.55 (39.4)	3.66 (92.9)	1.1 (0.5)
½"	NPT Female	2.76 (70.1)	0.73 (18.4)	1.95 (49.4)	2.76 (70.0)	0.89 (22.6)	1.08 (27.4)	1.55 (39.4)	3.52 (89.4)	1.2 (0.5)
½"	NPT Male	2.76 (70.1)	0.73 (18.4)	1.95 (49.4)	2.76 (70.0)	1.08 (27.4)	1.78 (45.2)	1.55 (39.4)	4.41 (112.0)	1.5 (0.7)
¾"	Sweat Female	2.98 (75.6)	0.88 (22.2)	2.01 (51.1)	2.96 (75.2)	0.86 (21.8)	1.28 (32.5)	1.55 (39.4)	3.59 (93.7)	1.3 (0.6)
¾"	NPT Female	2.98 (75.6)	0.88 (22.2)	2.01 (51.1)	2.96 (75.2)	0.86 (21.8)	1.18 (29.8)	1.55 (39.4)	3.59 (91.0)	1.4 (0.6)
¾"	NPT Male	2.98 (75.6)	0.88 (22.2)	2.01 (51.1)	2.96 (75.2)	1.12 (28.4)	1.69 (42.9)	1.55 (39.4)	4.36 (110.7)	1.8 (0.8)
1"	Sweat Female	3.19 (81.1)	0.97 (24.6)	2.14 (54.2)	3.19 (80.9)	0.89 (22.7)	1.51 (38.4)	2.00 (50.8)	4.41 (111.9)	1.6 (0.7)
1"	NPT Female	3.19 (81.1)	0.97 (24.6)	2.14 (54.2)	3.19 (80.9)	0.89 (22.7)	1.23 (31.2)	2.00 (50.8)	4.96 (104.7)	1.8 (0.8)
1¼"	Sweat Female	3.73 (94.7)	1.24 (31.6)	2.40 (60.8)	3.80 (96.5)	1.08 (27.3)	1.89 (47.9)	2.00 (50.8)	4.12 (126.0)	2.4 (1.1)
1¼"	NPT Female	3.73 (94.7)	1.24 (31.6)	2.40 (60.8)	3.80 (96.5)	1.08 (27.3)	1.25 (31.6)	2.00 (50.8)	4.3 (109.7)	2.5 (1.1)
1½"	Sweat Female	4.06 (103.1)	1.50 (38.1)	2.47 (62.7)	4.15 (105.5)	1.13 (28.6)	1.88 (47.6)	2.52 (64.0)	5.52 (140.2)	3.4 (1.5)
1½"	NPT Female	4.06 (103.1)	1.50 (38.1)	2.47 (62.7)	4.15 (105.5)	1.13 (28.6)	1.50 (38.1)	2.52 (64.0)	5.15 (130.7)	3.6 (1.6)
2"	Sweat Female	4.79 (120.9)	1.88 (47.8)	2.79 (70.9)	4.74 (120.4)	1.10 (27.9)	1.94 (49.2)	3.14 (79.8)	6.2 (156.9)	5.0 (2.3)
2"	NPT Female	4.79 (120.9)	1.88 (47.8)	2.79 (70.9)	4.74 (120.4)	1.10 (27.9)	1.65 (41.9)	3.14 (79.8)	5.89 (149.6)	5.6 (2.5)

*All dimensions +/- 0.125 (3.2 mm) tolerance. Dimensions are subject to change. Not to be used for construction purposes unless certified.



Xylem Inc.
 8200 N. Austin Avenue
 Morton Grove, IL 60053
 Tel: (847) 966-3700 Fax: (847) 965-8379
 www.xylem.com/bellgossett