

**JOB:**
**REPRESENTATIVE:**

UNIT TAG:

ORDER NUMBER:

DATE:

ENGINEER:

SUBMITTED BY:

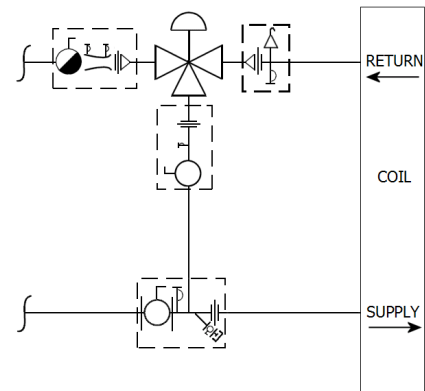
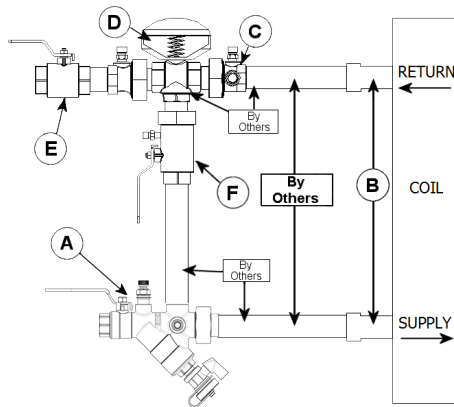
DATE:

CONTRACTOR:

APPROVED BY:

DATE:

## Venturi MV3YB Valve Kit



### DESCRIPTION

The Bell & Gossett MV3YB Valve Kit is a packaged and partially pre-assembled collection of common components required for commissioning a terminal unit. Temperature control valves, piping and coils are not supplied by B&G.

The MV3YB Kit consists of:

Balloon	Part Number	Inlet Connection	Outlet Connection	Description
A				<b>Model UBY</b> - Combination Wye Strainer and Shut Off Valve with one Pressure / Temperature Port, Drain Valve, Tailpiece and Union End
B				Connection Size for Coil/Terminal
C				<b>Model UA</b> - Union Accessory with one Pressure / Temperature Port, Manual Air Vent, Tailpiece and Union End
D				Connection Size for Two-Way Temperature Control Valve (by others)
E				<b>Model MV</b> - Venturi/Ball Valve Combination - Calibrated Balance, Commissioning and Positive Shut Off Valve with two Pressure / Temperature Ports, Standard Port Ball Valve, Tailpiece and Union End
F				<b>Model UBV</b> - Combination Shut Off Valve and Union End with one Pressure / Temperature Port, and Tailpiece