

JOB:
REPRESENTATIVE:

UNIT TAG:

ORDER NUMBER:

DATE:

ENGINEER:

SUBMITTED BY:

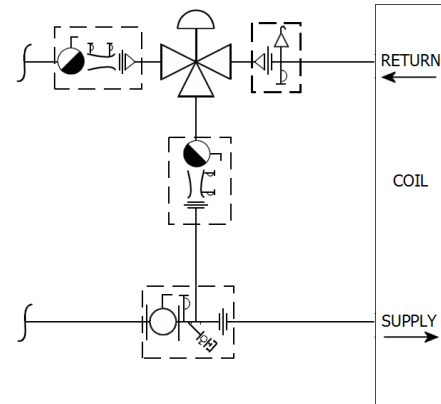
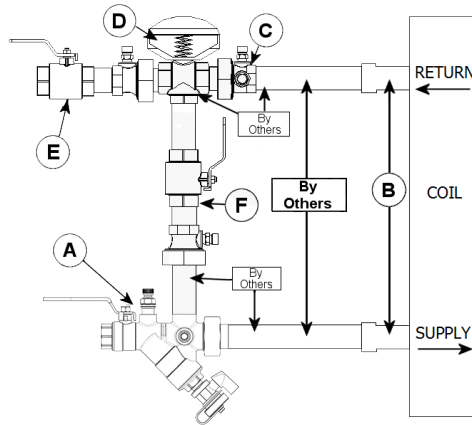
DATE:

CONTRACTOR:

APPROVED BY:

DATE:

Venturi MV3YMV Valve Kit



DESCRIPTION

The Bell & Gossett MV3YMV Valve Kit is a packaged and partially pre-assembled collection of common components required for commissioning a terminal unit. Temperature control valves, piping and coils are not supplied by B&G.

The MV3YMV Kit consists of:

Balloon	Part Number	Inlet Connection	Outlet Connection	Description
A				Model UBY - Combination Wye Strainer and Shut Off Valve with one Pressure / Temperature Port, Drain Valve, Tailpiece and Union End
B				Connection Size for Coil/Terminal
C				Model UA - Union Accessory with one Pressure / Temperature Port, Manual Air Vent, Tailpiece and Union End
D				Connection Size for Two-Way Temperature Control Valve (by others)
E				Model MV - Venturi/Ball Valve Combination - Calibrated Balance, Commissioning and Positive Shut Off Valve with two Pressure / Temperature Ports, Standard Port Ball Valve, Tailpiece and Union End
F				Model MV - Venturi/Ball Valve Combination - Calibrated Balance, Commissioning and Positive Shut Off Valve with two Pressure / Temperature Ports, Standard Port Ball Valve, Tailpiece and Union End