

JOB: _____	REPRESENTATIVE: _____	
UNIT TAG: _____	ORDER NO. _____	DATE: _____
ENGINEER: _____	SUBMITTED BY: _____	DATE: _____
CONTRACTOR: _____	APPROVED BY: _____	DATE: _____



## Series e-80

### 3x3x11B

#### Close Coupled In-Line Centrifugal Pump

**DESCRIPTION:**

The Series e-80 is a highly efficient, heavy duty, close coupled pump designed for horizontal or vertical in-line mounting. The e-80 is available in stainless steel fitted construction, with flows up to 2500 GPM, heads to 380 feet.

**SPECIFICATIONS**

FLOW _____	HEAD _____
HP _____	RPM _____
VOLTS _____	
CYCLE _____	INPUT PHASE _____
ENCLOSURE _____	
APPROX. WEIGHT _____	
SPECIALS _____	

**MATERIALS OF CONSTRUCTION**

- Stainless Steel Fitted
- MAXIMUM WORKING PRESSURE**
- 175 psi (12 bar) with 125# ANSI flange drilling
- 250 psi (17 bar) with 250# ANSI flange drilling (requires 80-S)
- 300 psi (21 bar) W.P. with 250# ANSI flange drilling (Requires -S and EPR-Silicon Carbide-Silicon Carbide Seal)

**MOUNTING**

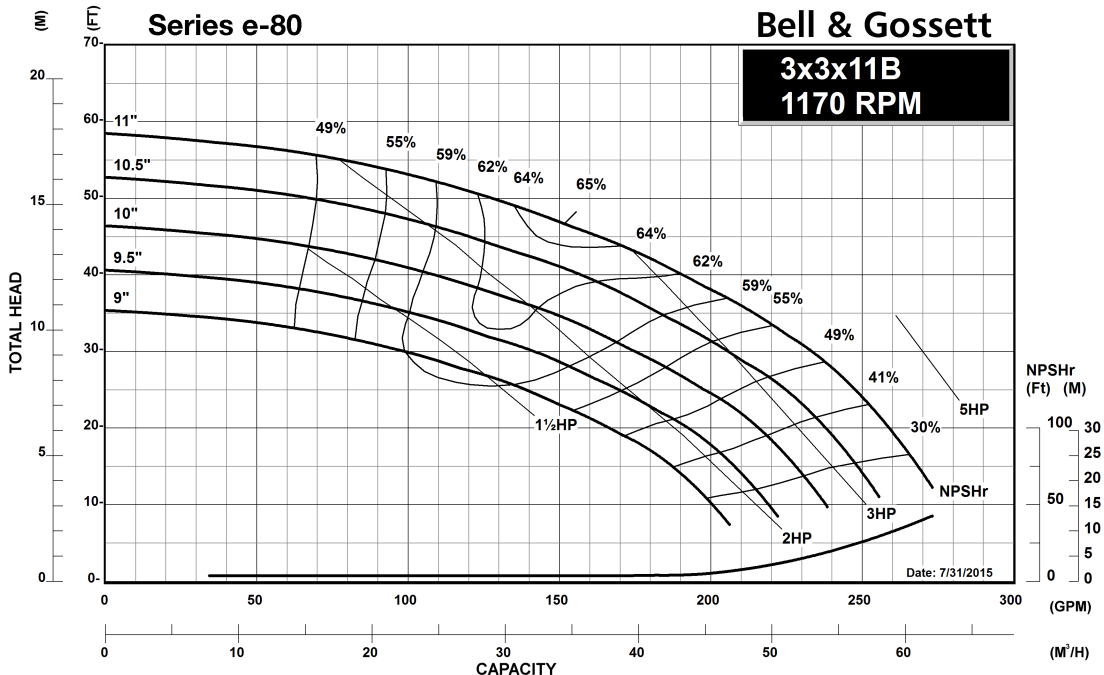
- In-Line Piping
- Flange Supports

**PUMP VARIABLE SPEED CONTROL**

- Integrated Technologic® Sensorless Control (ITSC)
- Integrated Technologic® (IT)
- External input by others
- Pressure Sensor(s)
- Differential Pressure Sensor(s)
- Flow Sensor(s)
- By Others

**TYPE OF SEAL**

- F Standard Seal w/ Flush Line (Buna-Carbon/Ceramic)
- S Stuffing Box construction w/ Flushed Mechanical Single Seal (EPR-Tungsten Carbide/Carbon)
- PF Stuffing Box Construction w/ Flushed Packing (Graphite Impregnated PTFE)





JOB:

REPRESENTATIVE:

UNIT TAG:  
ENGINEER:  
CONTRACTOR:

ORDER NO.  
SUBMITTED BY:  
APPROVED BY:

DATE:  
DATE:  
DATE:



**Series e-80**  
**3x3x11B**  
Close Coupled In-Line Centrifugal Pump

**DESCRIPTION:**

The Series e-80 is a highly efficient, heavy duty, close coupled pump designed for horizontal or vertical in-line mounting. The e-80 is available in stainless steel fitted construction, with flows up to 2500 GPM, heads to 380 feet.

**SPECIFICATIONS**

FLOW \_\_\_\_\_ HEAD \_\_\_\_\_  
 HP \_\_\_\_\_ RPM \_\_\_\_\_  
 VOLTS \_\_\_\_\_  
 INPUT \_\_\_\_\_  
 CYCLE \_\_\_\_\_ PHASE \_\_\_\_\_  
 ENCLOSURE \_\_\_\_\_  
 APPROX. WEIGHT \_\_\_\_\_  
 SPECIALS \_\_\_\_\_

**MATERIALS OF CONSTRUCTION**

- Stainless Steel Fitted
- MAXIMUM WORKING PRESSURE**
- 175 psi (12 bar) with 125# ANSI flange drilling
- 250 psi (17 bar) with 250# ANSI flange drilling (requires 80-S)
- 300 psi (21 bar) W.P. with 250# ANSI flange drilling (Requires -S and EPR-Silicon Carbide-Silicon Carbide Seal)

**MOUNTING**

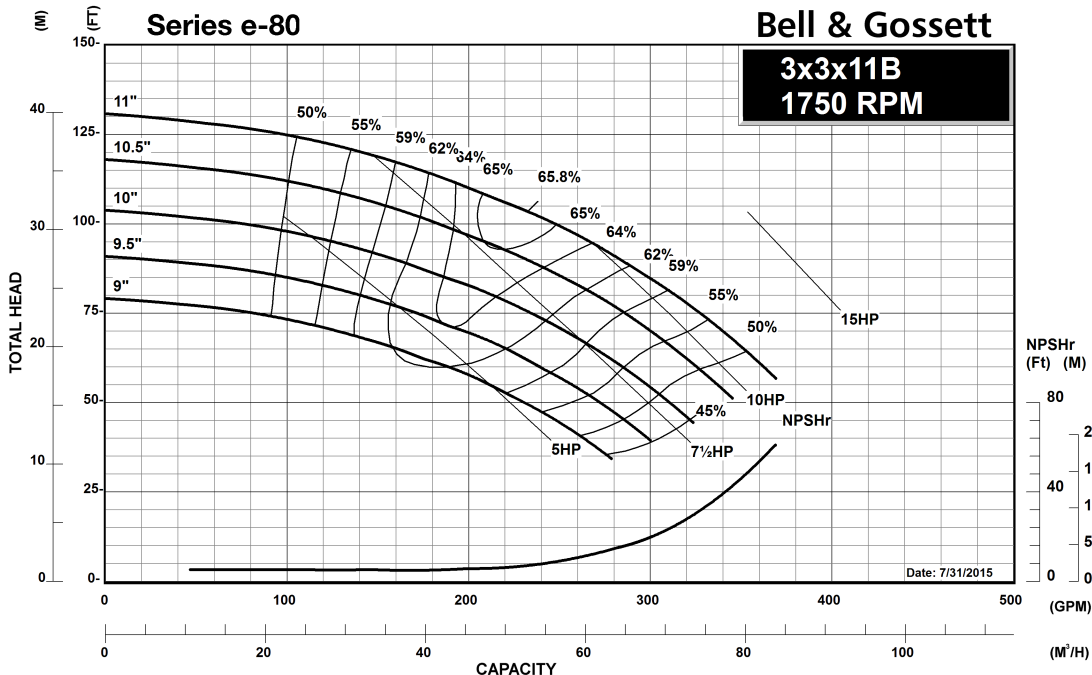
- In-Line Piping
- Flange Supports

**PUMP VARIABLE SPEED CONTROL**

- Integrated Technologic® Sensorless Control (ITSC)
- Integrated Technologic® (IT)
- External input by others
- Pressure Sensor(s)
- Differential Pressure Sensor(s)
- Flow Sensor(s)
- By Others

**TYPE OF SEAL**

- F Standard Seal w/ Flush Line (Buna-Carbon/Ceramic)
- S Stuffing Box construction w/ Flushed Mechanical Single Seal (EPR-Tungsten Carbide/Carbon)
- PF Stuffing Box Construction w/ Flushed Packing (Graphite Impregnated PTFE)





JOB:

REPRESENTATIVE:

UNIT TAG:  
ENGINEER:  
CONTRACTOR:

ORDER NO.  
SUBMITTED BY:  
APPROVED BY:

DATE:  
DATE:  
DATE:



## Series e-80 3x3x11B Close Coupled In-Line Centrifugal Pump

**DESCRIPTION:**

The Series e-80 is a highly efficient, heavy duty, close coupled pump designed for horizontal or vertical in-line mounting. The e-80 is available in stainless steel fitted construction, with flows up to 2500 GPM, heads to 380 feet.

**SPECIFICATIONS**

FLOW \_\_\_\_\_ HEAD \_\_\_\_\_  
 HP \_\_\_\_\_ RPM \_\_\_\_\_  
 VOLTS \_\_\_\_\_  
 CYCLE \_\_\_\_\_ INPUT PHASE \_\_\_\_\_  
 ENCLOSURE \_\_\_\_\_  
 APPROX. WEIGHT \_\_\_\_\_  
 SPECIALS \_\_\_\_\_

**MATERIALS OF CONSTRUCTION**

- Stainless Steel Fitted
- MAXIMUM WORKING PRESSURE**
- 175 psi (12 bar) with 125# ANSI flange drilling
- 250 psi (17 bar) with 250# ANSI flange drilling (requires 80-S)
- 300 psi (21 bar) W.P. with 250# ANSI flange drilling (Requires -S and EPR-Silicon Carbide-Silicon Carbide Seal)

**MOUNTING**

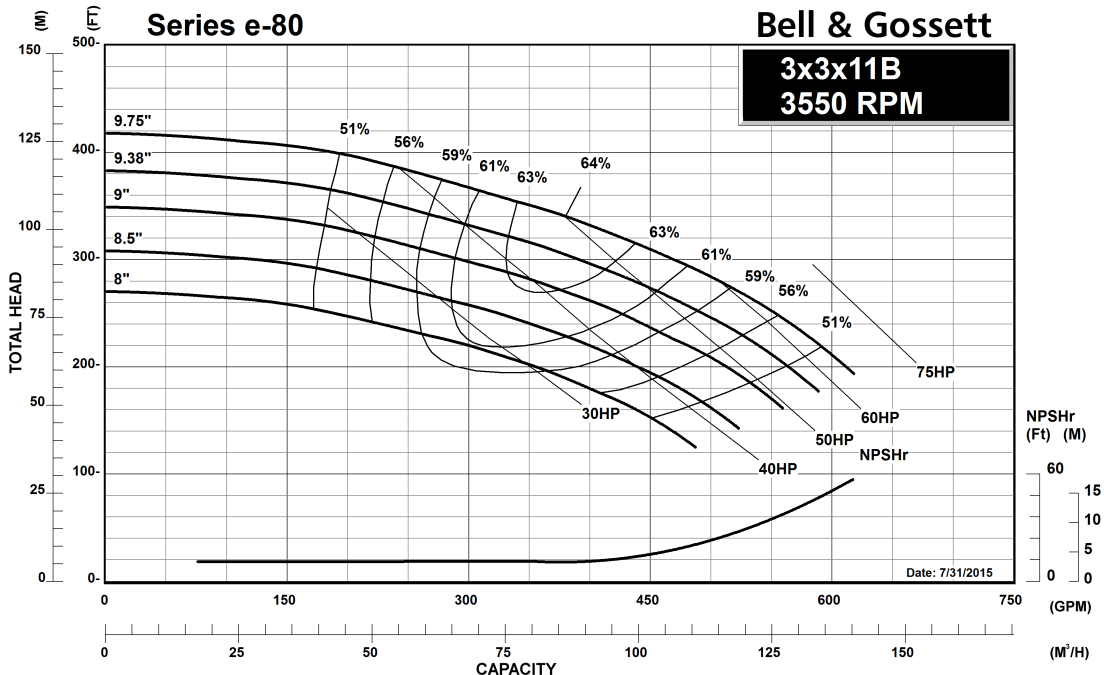
- In-Line Piping
- Flange Supports

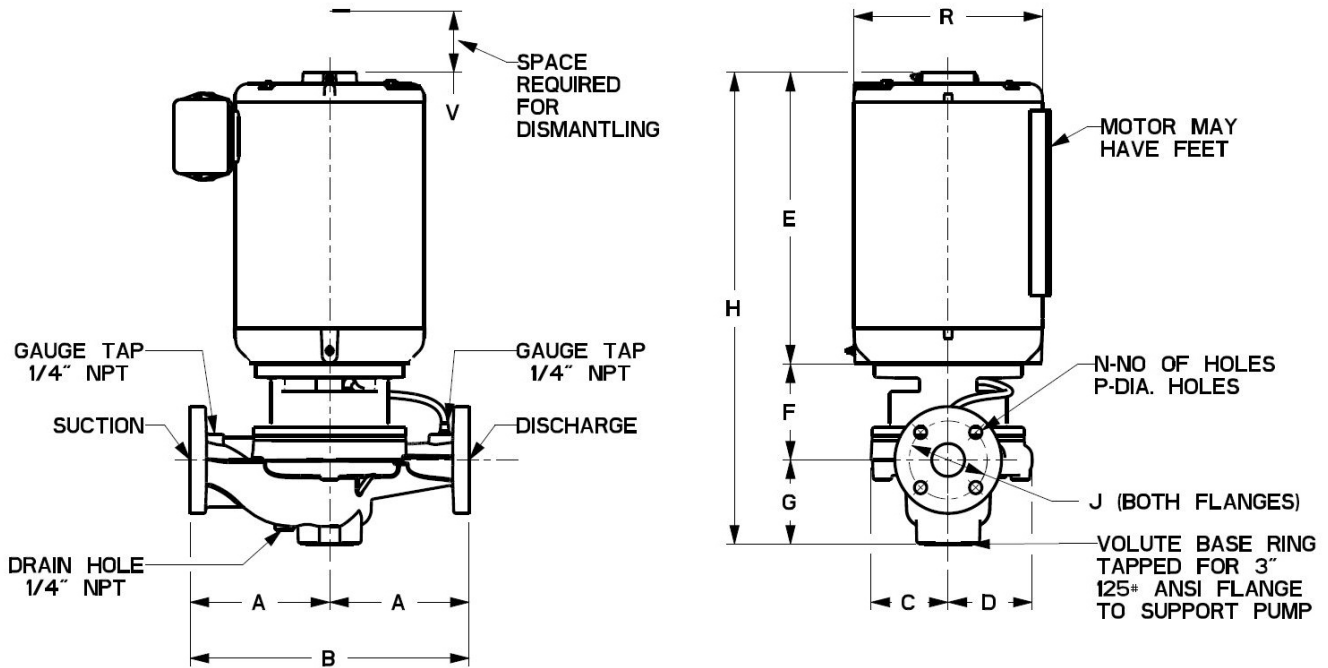
**PUMP VARIABLE SPEED CONTROL**

- Integrated Technologic® Sensorless Control (ITSC)
- Integrated Technologic® (IT)
- External input by others
- Pressure Sensor(s)
- Differential Pressure Sensor(s)
- Flow Sensor(s)
- By Others

**TYPE OF SEAL**

- F Standard Seal w/ Flush Line (Buna-Carbon/Ceramic)
- S Stuffing Box construction w/ Flushed Mechanical Single Seal (EPR-Tungsten Carbide/Carbon)
- PF Stuffing Box Construction w/ Flushed Packing (Graphite Impregnated PTFE)





1P0355

In-Line Piping

MOTOR FRAME	DIMENSIONS - Inches (mm)								STANDARD SEAL											Suct/Disch Gauge Taps (NPT)	Drain Tap (NPT)
	A	B	C	D	E (max)	F	G	H (max)	125# ANSI			250# ANSI			R	S (Max)*					
									J	N	P	J	N	P							
213JM	12.00 (305)	24.00 (610)	6.99 (177)	7.13 (181)	19.25 (489)	4.19 (106)	6.75 (171)	30.19 (767)	6.00 (152)	4	0.75 (19)	6.63 (168)	8	0.88 (22)	14.00 (356)	0.00	5.75 (146)	0.25	0.25		
215JM	12.00 (305)	24.00 (610)	6.99 (177)	7.13 (181)	19.25 (489)	4.19 (106)	6.75 (171)	30.19 (767)	6.00 (152)	4	0.75 (19)	6.63 (168)	8	0.88 (22)	14.00 (356)	0.00	5.75 (146)	0.25	0.25		
254JM	12.00 (305)	24.00 (610)	6.99 (177)	7.13 (181)	24.13 (613)	4.67 (119)	6.75 (171)	35.54 (903)	6.00 (152)	4	0.75 (19)	6.63 (168)	8	0.88 (22)	17.00 (432)	0.00	5.75 (146)	0.25	0.25		
256JM	12.00 (305)	24.00 (610)	6.99 (177)	7.13 (181)	24.13 (613)	4.67 (119)	6.75 (171)	35.54 (903)	6.00 (152)	4	0.75 (19)	6.63 (168)	8	0.88 (22)	17.00 (432)	0.00	5.75 (146)	0.25	0.25		
284JM	12.00 (305)	24.00 (610)	6.99 (177)	7.13 (181)	23.63 (600)	4.67 (119)	6.75 (171)	35.04 (890)	6.00 (152)	4	0.75 (19)	6.63 (168)	8	0.88 (22)	16.13 (410)	4.63 (117)	5.75 (146)	0.25	0.25		
286JM	12.00 (305)	24.00 (610)	6.99 (177)	7.13 (181)	25.13 (638)	4.67 (119)	6.75 (171)	36.54 (928)	6.00 (152)	4	0.75 (19)	6.63 (168)	8	0.88 (22)	16.13 (410)	4.63 (117)	5.75 (146)	0.25	0.25		
324JM	12.00 (305)	24.00 (610)	6.99 (177)	7.13 (181)	26.00 (660)	4.67 (119)	6.75 (171)	37.42 (950)	6.00 (152)	4	0.75 (19)	6.63 (168)	8	0.88 (22)	18.75 (476)	4.63 (117)	5.75 (146)	0.25	0.25		
326JM	12.00 (305)	24.00 (610)	6.99 (177)	7.13 (181)	26.00 (660)	4.67 (119)	6.75 (171)	37.42 (950)	6.00 (152)	4	0.75 (19)	6.63 (168)	8	0.88 (22)	18.75 (476)	4.63 (117)	5.75 (146)	0.25	0.25		

Dimensions are subject to change. Not to be used for construction purposes unless certified.

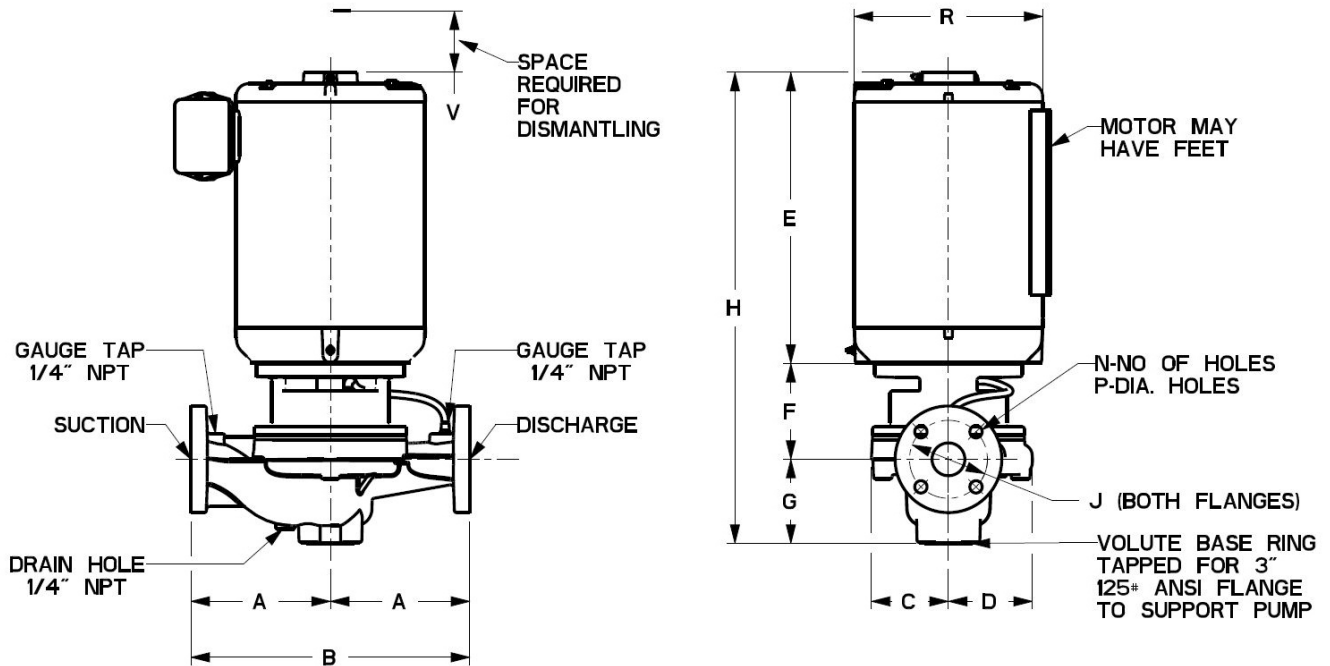
NOTE: For Single phase Motors add 1" to dimensions E & H.

\*Dimensions are for ODP Motors. For TEFC add S dimension to dimensions E & H.



Xylem Inc.  
 8200 N. Austin Avenue, Morton Grove, IL 60053  
 Phone: (847)966-3700 Fax: (847)965-8379  
 www.xylem.com/bellgossett

Bell & Gossett is a trademark of Xylem Inc. or one of its subsidiaries. © 2019 Xylem Inc.



In-Line Piping

1P0355

MOTOR FRAME	DIMENSIONS - Inches (mm)								STUFFING BOX										
	A	B	C	D	E (max)	F	G	H (max)	125# ANSI			250# ANSI			R	S (Max)*	V (min)	Suct/Disch Gauge Taps (NPT)	Drain Tap (NPT)
									J	N	P	J	N	P					
213JP	12.00 (305)	24.00 (610)	6.99 (177)	7.13 (181)	19.25 (489)	7.19 (183)	6.75 (171)	33.19 (843)	6.00 (152)	4	0.75 (19)	6.63 (168)	8	0.88 (22)	14.00 (356)	0.00	5.75 (146)	0.25	0.25
215JP	12.00 (305)	24.00 (610)	6.99 (177)	7.13 (181)	19.25 (489)	7.19 (183)	6.75 (171)	33.19 (843)	6.00 (152)	4	0.75 (19)	6.63 (168)	8	0.88 (22)	14.00 (356)	0.00	5.75 (146)	0.25	0.25
254JP	12.00 (305)	24.00 (610)	6.99 (177)	7.13 (181)	24.13 (613)	7.50 (191)	6.75 (171)	38.38 (975)	6.00 (152)	4	0.75 (19)	6.63 (168)	8	0.88 (22)	17.00 (432)	0.00	5.75 (146)	0.25	0.25
256JP	12.00 (305)	24.00 (610)	6.99 (177)	7.13 (181)	24.13 (613)	7.50 (191)	6.75 (171)	38.38 (975)	6.00 (152)	4	0.75 (19)	6.63 (168)	8	0.88 (22)	17.00 (432)	0.00	5.75 (146)	0.25	0.25
284JP	12.00 (305)	24.00 (610)	6.99 (177)	7.13 (181)	23.63 (600)	7.50 (191)	6.75 (171)	37.88 (962)	6.00 (152)	4	0.75 (19)	6.63 (168)	8	0.88 (22)	16.13 (410)	4.63 (117)	5.75 (146)	0.25	0.25
286JP	12.00 (305)	24.00 (610)	6.99 (177)	7.13 (181)	25.13 (638)	7.50 (191)	6.75 (171)	39.38 (1000)	6.00 (152)	4	0.75 (19)	6.63 (168)	8	0.88 (22)	16.13 (410)	4.63 (117)	5.75 (146)	0.25	0.25
324JP	12.00 (305)	24.00 (610)	6.99 (177)	7.13 (181)	26.00 (660)	7.50 (191)	6.75 (171)	40.25 (1022)	6.00 (152)	4	0.75 (19)	6.63 (168)	8	0.88 (22)	18.75 (476)	4.63 (117)	5.75 (146)	0.25	0.25
326JP	12.00 (305)	24.00 (610)	6.99 (177)	7.13 (181)	26.00 (660)	7.50 (191)	6.75 (171)	40.25 (1022)	6.00 (152)	4	0.75 (19)	6.63 (168)	8	0.88 (22)	18.75 (476)	4.63 (117)	5.75 (146)	0.25	0.25

Dimensions are subject to change. Not to be used for construction purposes unless certified.

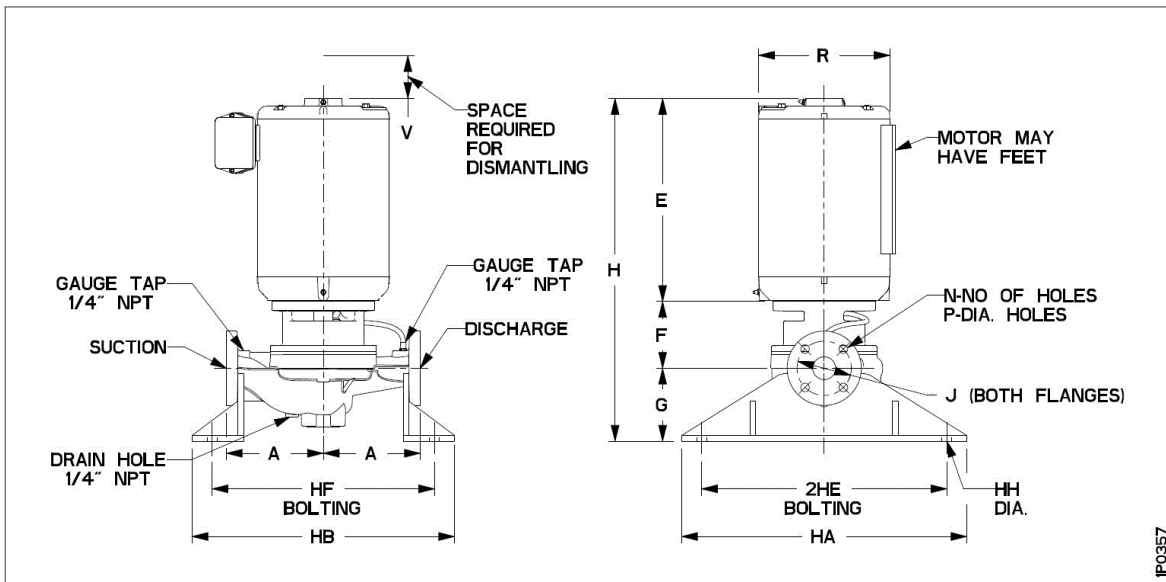
NOTE: For Single phase Motors add 1" to dimensions E & H.

\*Dimensions are for ODP Motors. For TEFC add S dimension to dimensions E & H.



Xylem Inc.  
 8200 N. Austin Avenue, Morton Grove, IL 60053  
 Phone: (847)966-3700 Fax: (847)965-8379  
 www.xylem.com/bellgossett

Bell & Gossett is a trademark of Xylem Inc. or one of its subsidiaries. © 2019 Xylem Inc.



Flange Support Mounting

DIMENSIONS - Inches (mm)										STANDARD SEAL											
MOTOR FRAME	A	HF BOLTING	HB	2HE BOLTING	HA	HH DIA	E (max)	F	G	H (max)	125# ANSI			250# ANSI			R	S (Max)*	V (min)	Suct/Disch Gauge Taps (NPT)	Drain Tap (NPT)
											J	N	P	J	N	P					
213JM	12.00 (305)	25.94 (659)	29.44 (748)	21.50 (546)	25.00 (635)	0.88 (22)	19.25 (489)	4.19 (106)	7.75 (197)	31.19 (792)	6.00 (152)	4 (19)	0.75 (19)	6.63 (168)	8 (22)	0.88 (22)	14.00 (356)	0.00	5.75 (146)	0.25	0.25
215JM	12.00 (305)	25.94 (659)	29.44 (748)	21.50 (546)	25.00 (635)	0.88 (22)	19.25 (489)	4.19 (106)	7.75 (197)	31.19 (792)	6.00 (152)	4 (19)	0.75 (19)	6.63 (168)	8 (22)	0.88 (22)	14.00 (356)	0.00	5.75 (146)	0.25	0.25
254JM	12.00 (305)	25.94 (659)	29.44 (748)	21.50 (546)	25.00 (635)	0.88 (22)	24.13 (613)	4.67 (119)	7.75 (197)	36.54 (928)	6.00 (152)	4 (19)	0.75 (19)	6.63 (168)	8 (22)	0.88 (22)	17.00 (432)	0.00	5.75 (146)	0.25	0.25
256JM	12.00 (305)	25.94 (659)	29.44 (748)	21.50 (546)	25.00 (635)	0.88 (22)	24.13 (613)	4.67 (119)	7.75 (197)	36.54 (928)	6.00 (152)	4 (19)	0.75 (19)	6.63 (168)	8 (22)	0.88 (22)	17.00 (432)	0.00	5.75 (146)	0.25	0.25
284JM	12.00 (305)	25.94 (659)	29.44 (748)	21.50 (546)	25.00 (635)	0.88 (22)	23.63 (600)	4.67 (119)	7.75 (197)	36.04 (916)	6.00 (152)	4 (19)	0.75 (19)	6.63 (168)	8 (22)	0.88 (22)	16.13 (410)	4.63 (117)	5.75 (146)	0.25	0.25
286JM	12.00 (305)	25.94 (659)	29.44 (748)	21.50 (546)	25.00 (635)	0.88 (22)	25.13 (638)	4.67 (119)	7.75 (197)	37.54 (954)	6.00 (152)	4 (19)	0.75 (19)	6.63 (168)	8 (22)	0.88 (22)	16.13 (410)	4.63 (117)	5.75 (146)	0.25	0.25
324JM	12.00 (305)	25.94 (659)	29.44 (748)	21.50 (546)	25.00 (635)	0.88 (22)	26.00 (660)	4.67 (119)	7.75 (197)	38.42 (976)	6.00 (152)	4 (19)	0.75 (19)	6.63 (168)	8 (22)	0.88 (22)	18.75 (476)	4.63 (117)	5.75 (146)	0.25	0.25
326JM	12.00 (305)	25.94 (659)	29.44 (748)	21.50 (546)	25.00 (635)	0.88 (22)	26.00 (660)	4.67 (119)	7.75 (197)	38.42 (976)	6.00 (152)	4 (19)	0.75 (19)	6.63 (168)	8 (22)	0.88 (22)	18.75 (476)	4.63 (117)	5.75 (146)	0.25	0.25

Dimensions are subject to change. Not to be used for construction purposes unless certified.

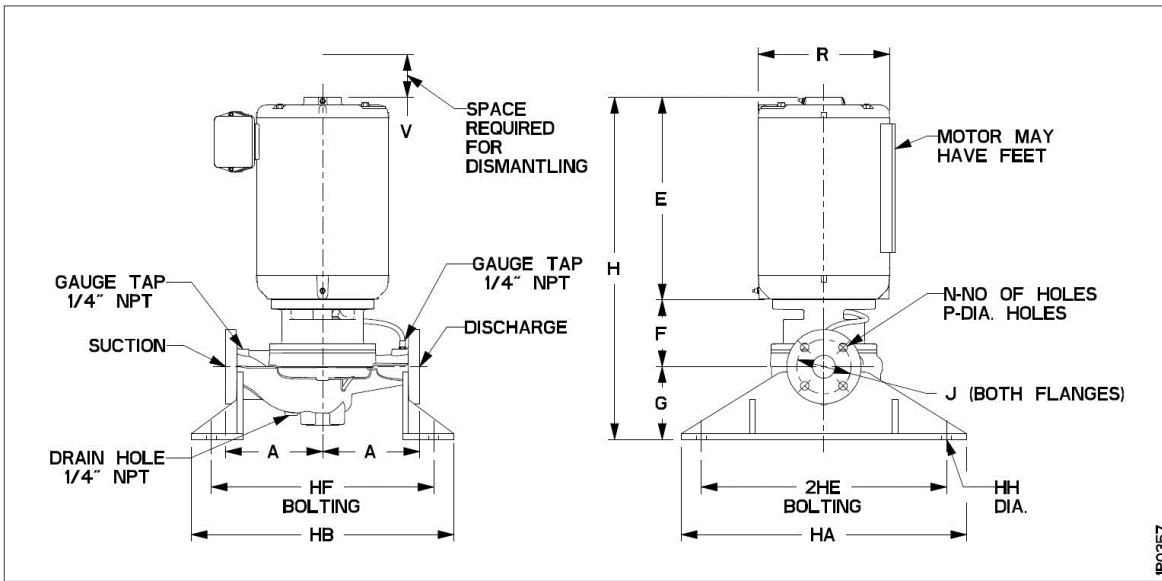
NOTE: For Single phase Motors add 1" to dimensions E & H.

\*Dimensions are for ODP Motors. For TEFC add S dimension to dimensions E & H.



Xylem Inc.  
 8200 N. Austin Avenue, Morton Grove, IL 60053  
 Phone: (847)966-3700 Fax: (847)965-8379  
 www.xylem.com/bellgossett

Bell & Gossett is a trademark of Xylem Inc. or one of its subsidiaries. © 2019 Xylem Inc.



**Flange Support Mounting**

DIMENSIONS - Inches (mm)										STUFFING BOX											
MOTOR FRAME	A	HF BOLTING	HB	ZHE BOLTING	HA	HH DIA	E (max)	F	G	H (max)	125# ANSI			250# ANSI			R	S (Max)*	V (min)	Suct/Disch Gauge Taps (NPT)	Drain Tap (NPT)
											J	N	P	J	N	P					
213JP	12.00 (305)	25.94 (659)	29.44 (748)	21.50 (546)	25.00 (635)	0.88 (22)	19.25 (489)	7.19 (183)	7.75 (197)	34.19 (868)	6.00 (152)	4	0.75 (19)	6.63 (168)	8	0.88 (22)	14.00 (356)	0.00	5.75 (146)	0.25	0.25
215JP	12.00 (305)	25.94 (659)	29.44 (748)	21.50 (546)	25.00 (635)	0.88 (22)	19.25 (489)	7.19 (183)	7.75 (197)	34.19 (868)	6.00 (152)	4	0.75 (19)	6.63 (168)	8	0.88 (22)	14.00 (356)	0.00	5.75 (146)	0.25	0.25
254JP	12.00 (305)	25.94 (659)	29.44 (748)	21.50 (546)	25.00 (635)	0.88 (22)	24.13 (613)	7.50 (191)	7.75 (197)	39.38 (1000)	6.00 (152)	4	0.75 (19)	6.63 (168)	8	0.88 (22)	17.00 (432)	0.00	5.75 (146)	0.25	0.25
256JP	12.00 (305)	25.94 (659)	29.44 (748)	21.50 (546)	25.00 (635)	0.88 (22)	24.13 (613)	7.50 (191)	7.75 (197)	39.38 (1000)	6.00 (152)	4	0.75 (19)	6.63 (168)	8	0.88 (22)	17.00 (432)	0.00	5.75 (146)	0.25	0.25
284JP	12.00 (305)	25.94 (659)	29.44 (748)	21.50 (546)	25.00 (635)	0.88 (22)	23.63 (600)	7.50 (191)	7.75 (197)	38.88 (987)	6.00 (152)	4	0.75 (19)	6.63 (168)	8	0.88 (22)	16.13 (410)	4.63 (117)	5.75 (146)	0.25	0.25
286P	12.00 (305)	25.94 (659)	29.44 (748)	21.50 (546)	25.00 (635)	0.88 (22)	25.13 (638)	7.50 (191)	7.75 (197)	40.38 (1026)	6.00 (152)	4	0.75 (19)	6.63 (168)	8	0.88 (22)	16.13 (410)	4.63 (117)	5.75 (146)	0.25	0.25
324JP	12.00 (305)	25.94 (659)	29.44 (748)	21.50 (546)	25.00 (635)	0.88 (22)	26.00 (660)	7.50 (191)	7.75 (197)	41.25 (1048)	6.00 (152)	4	0.75 (19)	6.63 (168)	8	0.88 (22)	18.75 (476)	4.63 (117)	5.75 (146)	0.25	0.25
326JP	12.00 (305)	25.94 (659)	29.44 (748)	21.50 (546)	25.00 (635)	0.88 (22)	26.00 (660)	7.50 (191)	7.75 (197)	41.25 (1048)	6.00 (152)	4	0.75 (19)	6.63 (168)	8	0.88 (22)	18.75 (476)	4.63 (117)	5.75 (146)	0.25	0.25

Dimensions are subject to change. Not to be used for construction purposes unless certified.

NOTE: For Single phase Motors add 1" to dimensions E & H.

\*Dimensions are for ODP Motors. For TEFC add S dimension to dimensions E & H.



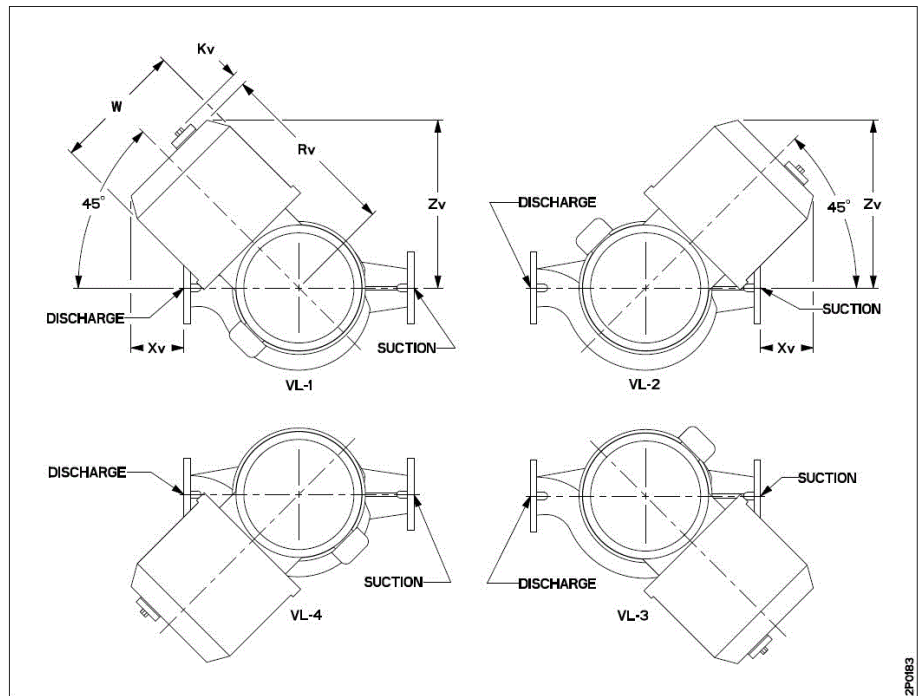
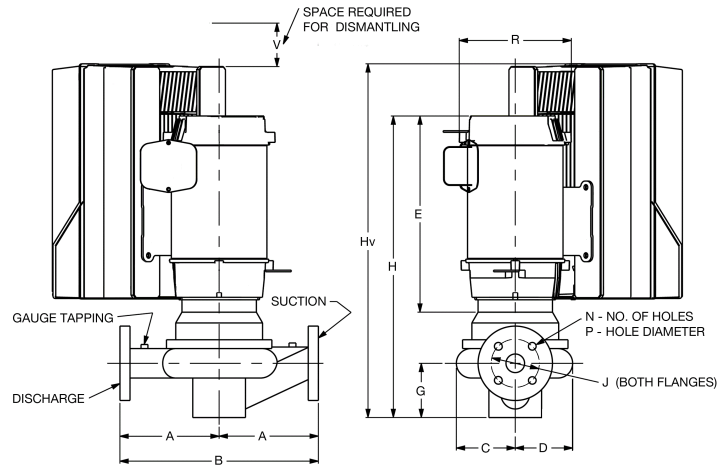
Xylem Inc.  
 8200 N. Austin Avenue, Morton Grove, IL 60053  
 Phone: (847)966-3700 Fax: (847)965-8379  
 www.xylem.com/bellgossett

Bell & Gossett is a trademark of Xylem Inc. or one of its subsidiaries. © 2019 Xylem Inc.

# Series e-80 3x3x11B Close Coupled In-Line Centrifugal Pump With Integrated Technologic® Control

B-139.16B

TECHNOLOGIC STANDARD FEATURES	
CONTROL METHOD WITH INTEGRATED TECHNOLOGIC® SENSORLESS CONTROL (ITSC)	Factory configured for sensorless operation.
CONTROL METHOD WITH INTEGRATED TECHNOLOGIC® (IT)	Field configurable for sensor by others, building management system input, or optional sensor(s) provided.
ENCLOSURE	NEMA 12 (same as IP55 & UL type 12)
POWER DISCONNECT SWITCH	Included standard. Fused Disconnect Switch optional with three phase input voltage.
HARMONIC SUPPRESSION	Integrated non-saturating dual DC link reactors provide better harmonic performance than a 5% AC line reactor.
COOLING	Fan-cooled through temperature controlled and easy replacement.
AMBIENT TEMPERATURE RATING	14°F to 113°F (-10°C to 45°C)
COMMUNICATION PROTOCOLS	BACnet, Modbus RTU, N2 Metasys, FLN Apogee
ANALOG INPUTS	2 configurable for either voltage (0 to 10VDC) or current(0/4 to 20mA)
ANALOG OUTPUTS	1 (0/4 to 20mA) up to 500 ohm load accurate to 1% of full scale
DIGITAL INPUTS	4 (0 to 24VDC), NPN or PNP, 0 to 24VDC, on 5 msec scan interval. Up to 2 can be configured as pulse inputs.
DIGITAL OUTPUTS	2 (0 to 24VDC), 40mA max current, configurable as pulse outputs.
RELAY OUTPUTS	2 programmable, 240VAC or 400VAC up to 2 A
MINIMUM CONTROL HEAD	_____ ft (default set to 40% of design head if not unknown)



Xylem Inc.  
8200 N. Austin Avenue, Morton Grove, IL 60053  
Phone: (847)966-3700 Fax: (847)965-8379  
www.xylem.com/bellgossett

Bell & Gossett is a trademark of Xylem Inc. or one of its subsidiaries. © 2019 Xylem Inc.

**Series e-80 3x3x11B Close Coupled In-Line Centrifugal Pump  
With Integrated Technologic® Control**

**B-139.16B**

DIMENSIONS - Inches (mm)							STANDARD SEAL						STUFFING BOX																					
MOTOR FRAME	VFD	Rv	Zv	W	Hv	Xv	MOTOR FRAME	VFD	Rv	Zv	W	Hv	Xv	MOTOR FRAME	VFD	Rv	Zv	W	Hv	Xv														
213JM	A5	13.53 (344)	12.56 (319)	9.50 (241)	32.77 (832)	1.31 (33)	213JP	A5	13.53 (344)	12.56 (319)	9.50 (241)	35.77 (908)	1.31 (33)	215JM	A5	13.53 (344)	12.56 (319)	9.50 (241)	34.30 (871)	1.31 (33)	215JP	A5	13.53 (344)	12.56 (319)	9.50 (241)	34.30 (871)	1.31 (33)							
	B1	15.82 (402)	14.16 (360)	9.50 (241)	34.02 (864)	2.91 (74)		B1	15.82 (402)	14.16 (360)	9.50 (241)	37.02 (940)	2.91 (74)		B1	15.82 (402)	14.16 (360)	9.50 (241)	35.55 (903)	2.91 (74)		B1	15.82 (402)	14.16 (360)	9.50 (241)	35.55 (903)	2.91 (74)							
	B2	15.82 (402)	14.16 (360)	9.50 (241)	39.76 (1010)	2.91 (74)		B2	15.82 (402)	14.16 (360)	9.50 (241)	42.76 (1086)	2.91 (74)		B2	15.82 (402)	14.16 (360)	9.50 (241)	41.29 (1049)	2.91 (74)		B2	15.82 (402)	14.16 (360)	9.50 (241)	41.29 (1049)	2.91 (74)							
254JM	A5	13.53 (344)	12.56 (319)	9.50 (241)	31.30 (795)	1.31 (33)	254JP	A5	13.53 (344)	12.56 (319)	9.50 (241)	34.30 (871)	1.31 (33)	256JM	B1	16.83 (427)	14.92 (379)	9.50 (241)	38.54 (979)	3.63 (92)	256JP	A5	13.53 (344)	12.56 (319)	9.50 (241)	40.31 (1024)	6.11 (155)	284JM	B1	16.83 (427)	14.92 (379)	9.50 (241)	40.75 (1035)	3.63 (92)
	B1	15.82 (402)	14.16 (360)	9.50 (241)	32.55 (827)	2.91 (74)		B1	16.83 (427)	14.92 (379)	9.50 (241)	41.38 (1051)	3.63 (92)		B1	16.83 (427)	14.92 (379)	9.50 (241)	43.63 (1108)	6.83 (173)		B1	16.83 (427)	14.92 (379)	9.50 (241)	40.75 (1035)	3.63 (92)							
	B2	15.82 (402)	14.16 (360)	9.50 (241)	38.29 (972)	2.91 (74)		B2	16.83 (427)	14.92 (379)	9.50 (241)	45.84 (1164)	3.63 (92)		B2	16.83 (427)	14.92 (379)	9.50 (241)	44.26 (1124)	6.83 (173)		B2	16.83 (427)	14.92 (379)	9.50 (241)	45.84 (1164)	3.63 (92)							
	C1	17.76 (451)	17.36 (441)	12.10 (307)	40.31 (1024)	6.11 (155)		C1	18.77 (477)	18.12 (460)	12.10 (307)	47.10 (1196)	6.83 (173)		C1	18.77 (477)	18.12 (460)	12.10 (307)	44.26 (1124)	6.83 (173)		C1	18.77 (477)	18.12 (460)	12.10 (307)	47.10 (1196)	6.83 (173)							
256JM	B1	16.83 (427)	14.92 (379)	9.50 (241)	37.92 (963)	3.63 (92)	256JP	B1	16.83 (427)	14.92 (379)	9.50 (241)	40.75 (1035)	3.63 (92)	284JM	B2	16.83 (427)	14.92 (379)	9.50 (241)	48.29 (1227)	9.13 (232)	284JP	B1	16.83 (427)	14.92 (379)	9.50 (241)	40.75 (1035)	3.63 (92)							
	B2	16.83 (427)	14.92 (379)	9.50 (241)	42.37 (1076)	3.63 (92)		B2	16.83 (427)	14.92 (379)	9.50 (241)	45.20 (1148)	3.63 (92)		B1	17.58 (446)	15.45 (393)	9.50 (241)	37.29 (947)	3.63 (92)		B2	16.83 (427)	14.92 (379)	9.50 (241)	45.20 (1148)	3.63 (92)							
	C1	18.77 (477)	18.12 (460)	12.10 (307)	43.63 (1108)	6.83 (173)		C1	18.77 (477)	18.12 (460)	12.10 (307)	46.46 (1180)	6.83 (173)		B2	17.58 (446)	15.45 (393)	9.50 (241)	41.75 (1061)	3.63 (92)		C1	18.77 (477)	18.12 (460)	12.10 (307)	46.46 (1180)	6.83 (173)							
	C2	19.55 (497)	20.42 (519)	14.60 (371)	48.29 (1227)	9.13 (232)		C2	19.55 (497)	20.42 (519)	14.60 (371)	51.12 (1299)	9.13 (232)		C1	19.58 (497)	17.63 (448)	12.09 (307)	44.15 (1122)	3.63 (92)		C2	19.55 (497)	20.42 (519)	14.60 (371)	51.12 (1299)	9.13 (232)							
284JM	B1	17.58 (446)	15.45 (393)	9.50 (241)	37.29 (947)	3.63 (92)	284JP	B1	17.58 (446)	15.45 (393)	9.50 (241)	40.13 (1019)	3.63 (92)	286JM	B1	17.58 (446)	15.45 (393)	9.50 (241)	43.25 (1098)	3.77 (96)	286JP	B1	17.58 (446)	15.45 (393)	9.50 (241)	40.13 (1019)	3.63 (92)							
	B2	17.58 (446)	15.45 (393)	9.50 (241)	41.75 (1061)	3.63 (92)		B2	17.58 (446)	15.45 (393)	9.50 (241)	44.59 (1132)	3.63 (92)		B2	17.58 (446)	15.45 (393)	9.50 (241)	43.25 (1098)	3.77 (96)		B2	17.58 (446)	15.45 (393)	9.50 (241)	44.59 (1132)	3.63 (92)							
	C1	19.58 (497)	17.63 (448)	12.09 (307)	44.15 (1122)	3.63 (92)		C1	19.58 (497)	17.63 (448)	12.09 (307)	46.98 (1193)	3.63 (92)		C1	19.58 (497)	17.63 (448)	12.09 (307)	45.65 (1160)	6.50 (165)		C1	19.58 (497)	17.63 (448)	12.09 (307)	46.98 (1193)	3.63 (92)							
	C2	20.36 (517)	19.93 (506)	14.59 (371)	47.30 (1202)	5.93 (151)		C2	20.36 (517)	19.93 (506)	14.59 (371)	50.13 (1273)	5.93 (151)		C2	19.58 (497)	17.63 (448)	12.09 (307)	44.15 (1122)	3.63 (92)		C2	19.58 (497)	17.63 (448)	12.09 (307)	50.13 (1273)	5.93 (151)							
286JM	B2	17.58 (446)	15.45 (393)	9.50 (241)	43.25 (1098)	3.77 (96)	286JP	B2	17.58 (446)	15.45 (393)	9.50 (241)	46.08 (1170)	3.77 (96)	324JM	B2	18.58 (472)	16.16 (410)	9.50 (241)	42.59 (1082)	4.88 (124)	324JP	B2	17.58 (446)	15.45 (393)	9.50 (241)	46.08 (1170)	3.77 (96)							
	C1	19.58 (497)	17.63 (448)	12.09 (307)	45.65 (1160)	6.50 (165)		C1	19.58 (497)	17.63 (448)	12.09 (307)	48.48 (1232)	6.50 (165)		C1	20.58 (523)	18.33 (466)	12.09 (307)	42.94 (1091)	7.17 (182)		C1	19.58 (497)	17.63 (448)	12.09 (307)	48.48 (1232)	6.50 (165)							
	C2	19.58 (497)	17.63 (448)	12.09 (307)	44.15 (1122)	3.63 (92)		C2	19.58 (497)	17.63 (448)	12.09 (307)	44.15 (1122)	3.63 (92)		B2	18.58 (472)	16.16 (410)	9.50 (241)	45.42 (1154)	4.88 (124)		B2	19.58 (497)	17.63 (448)	12.09 (307)	44.15 (1122)	3.63 (92)							
324JM	B2	18.58 (472)	16.16 (410)	9.50 (241)	42.59 (1082)	4.88 (124)	324JP	B2	18.58 (472)	16.16 (410)	9.50 (241)	45.42 (1154)	4.88 (124)	326JM	C1	20.58 (523)	18.33 (466)	12.09 (307)	42.94 (1091)	7.17 (182)	326JP	B2	18.58 (472)	16.16 (410)	9.50 (241)	45.42 (1154)	4.88 (124)							
	C1	20.58 (523)	18.33 (466)	12.09 (307)	42.94 (1091)	7.17 (182)		C2	19.58 (497)	17.63 (448)	12.09 (307)	44.15 (1122)	3.63 (92)		C1	20.58 (523)	18.33 (466)	12.09 (307)	42.94 (1091)	7.17 (182)		C1	20.58 (523)	18.33 (466)	12.09 (307)	45.77 (1162)	7.17 (182)							
326JM	C1	20.58 (523)	18.33 (466)	12.09 (307)	42.94 (1091)	7.17 (182)	326JP	C1	20.58 (523)	18.33 (466)	12.09 (307)	45.77 (1162)	7.17 (182)		C2	21.58 (548)	19.88 (505)	14.59 (371)	47.50 (1206)	8.81 (224)		C2	21.58 (548)	19.88 (505)	14.59 (371)	50.33 (1278)	8.81 (224)							

NOTE: Drives with single phase input have three phase output and include three phase motors.  
Kv=2 (50)



Xylem Inc.  
8200 N. Austin Avenue, Morton Grove, IL 60053  
Phone: (847)966-3700 Fax: (847)965-8379  
www.xylem.com/bellgossett

Bell & Gossett is a trademark of Xylem Inc. or one of its subsidiaries. © 2019 Xylem Inc.