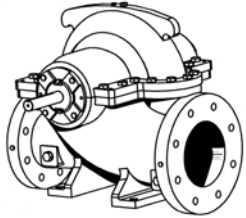


<b>JOB:</b>   <b>UNIT TAG:</b> <b>ENGINEER:</b> <b>CONTRACTOR:</b>	<b>REPRESENTATIVE:</b>   <b>ORDER NO.</b> <b>SUBMITTED BY:</b> <b>APPROVED BY:</b>	<b>DATE:</b> <b>DATE:</b> <b>DATE:</b>
---	---	--



# 6x8x12S

## Series HSC<sup>3</sup>

### Base Mounted - Double Suction Centrifugal Pumps

**SPECIFICATIONS**

FLOW \_\_\_\_\_ HEAD \_\_\_\_\_

HP \_\_\_\_\_ RPM \_\_\_\_\_

VOLTS \_\_\_\_\_

CYCLE \_\_\_\_\_ PHASE \_\_\_\_\_

ENCLOSURE \_\_\_\_\_

APPROX. WEIGHT \_\_\_\_\_

SPECIALS \_\_\_\_\_

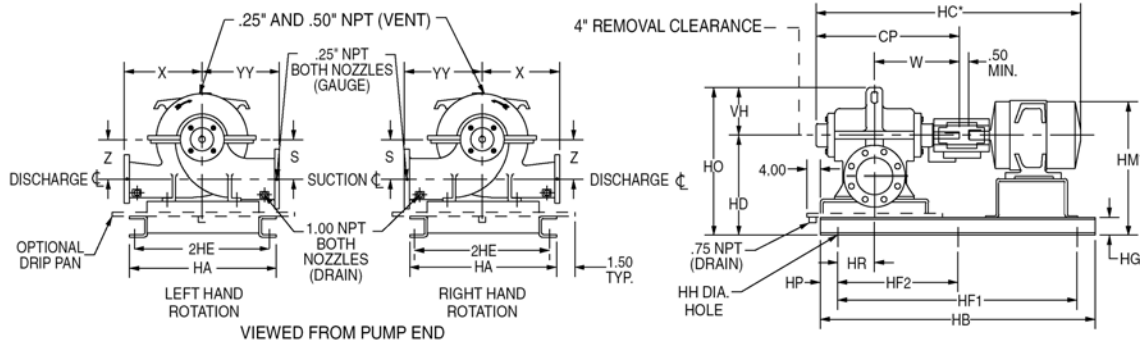
\_\_\_\_\_

**MATERIALS OF CONSTRUCTION**

- Cast Iron Bronze Fitted
- Internally Self Flushing Mech. Seals
- Fabricated Heavy Duty Baseplate
- ANSI/OSHA Coupling Guard
- Flexible Coupling
- Spacer Coupling (Optional)
- Galvanized Drip Pan (Optional)

**TYPE OF SEAL**

- STANDARD SEAL CONSTRUCTION, 175 PSIG (12 BAR)  
WORKING PRESSURE, 125# ANSI FLANGE CONFIGURATION
- STANDARD:** Crane Type 21, BUNA/Carbon Ceramic, 100 psig (6.8 Bar) maximum suction pressure, from -20° to 225°F (-29 °C to 107 °C).
  - OPTIONAL:** Crane Type 21, EPR/Carbon Ceramic, 100 psig (6.8 Bar) maximum suction pressure, from -20° to 250°F (-29 °C to 121 °C).
  - OPTIONAL:** Crane Type 21, EPR/Carbon Tungsten Carbide, 100 psig (6.8 Bar) maximum suction pressure, from -20° to 250°F (-29 °C to 121 °C).



FLANGE DIMENSIONS IN INCHES	
Discharge	Suction
6	8

**DIMENSIONS - Inches (mm)**

MOTOR FRAME	HA	HB	2HE	HF <sub>1</sub>	HF <sub>2</sub>	HG	HH	HP	HR	CP	HC*	HD	HM*	HO	S & Z	VH	W	X	YY
182	21.5 (546)	48 (1219)	19.5 (495)	36 (914)	18 (457)	4 (102)	1 (25)	6 (152)	3.25 (83)	20.62 (524)	36 (914)	21.25 (540)	27 (686)	28.75 (730)	9 (229)	9.6 (244)	12.56 (319)	14 (356)	14 (356)
184	21.5 (546)	48 (1219)	19.5 (495)	36 (914)	18 (457)	4 (102)	1 (25)	6 (152)	3.25 (83)	20.62 (524)	37 (940)	21.25 (540)	27 (686)	28.75 (730)	9 (229)	9.6 (244)	12.56 (319)	14 (356)	14 (356)
213	21.5 (546)	48 (1219)	19.5 (495)	36 (914)	18 (457)	4 (102)	1 (25)	6 (152)	3.25 (83)	20.62 (524)	39 (991)	21.25 (540)	28 (711)	28.75 (730)	9 (229)	9.6 (244)	12.56 (319)	14 (356)	14 (356)
215	21.5 (546)	48 (1219)	19.5 (495)	36 (914)	18 (457)	4 (102)	1 (25)	6 (152)	3.25 (83)	20.62 (524)	41 (1041)	21.25 (540)	28 (711)	28.75 (730)	9 (229)	9.6 (244)	12.56 (319)	14 (356)	14 (356)
254	21.5 (546)	48 (1219)	19.5 (495)	36 (914)	18 (457)	4 (102)	1 (25)	6 (152)	3.25 (83)	20.62 (524)	43 (1092)	21.25 (540)	29 (737)	28.75 (730)	9 (229)	9.6 (244)	12.56 (319)	14 (356)	14 (356)
256	21.5 (546)	48 (1219)	19.5 (495)	36 (914)	18 (457)	4 (102)	1 (25)	6 (152)	3.25 (83)	20.62 (524)	45 (1143)	21.25 (540)	29 (737)	28.75 (730)	9 (229)	9.6 (244)	12.56 (319)	14 (356)	14 (356)
284	21.5 (546)	54 (1372)	19.5 (495)	42 (1067)	21 (533)	4 (102)	1 (25)	6 (152)	3.25 (83)	20.62 (524)	46 (1168)	21.25 (540)	30 (762)	28.75 (730)	9 (229)	9.6 (244)	12.56 (319)	14 (356)	14 (356)
286	21.5 (546)	54 (1372)	19.5 (495)	42 (1067)	21 (533)	4 (102)	1 (25)	6 (152)	3.25 (83)	20.62 (524)	48 (1219)	21.25 (540)	30 (762)	28.75 (730)	9 (229)	9.6 (244)	12.56 (319)	14 (356)	14 (356)
324	21.5 (546)	54 (1372)	19.5 (495)	42 (1067)	21 (533)	4 (102)	1 (25)	6 (152)	3.25 (83)	20.62 (524)	49 (1245)	21.25 (540)	31 (787)	28.75 (730)	9 (229)	9.6 (244)	12.56 (319)	14 (356)	14 (356)
326	21.5 (546)	54 (1372)	19.5 (495)	42 (1067)	21 (533)	4 (102)	1 (25)	6 (152)	3.25 (83)	20.62 (524)	51 (1295)	21.25 (540)	31 (787)	28.75 (730)	9 (229)	9.6 (244)	12.56 (319)	14 (356)	14 (356)
364	21.5 (546)	60 (1524)	19.5 (495)	48 (1219)	24 (610)	4 (102)	1 (25)	6 (152)	3.25 (83)	20.62 (524)	53 (1346)	21.25 (540)	32 (813)	28.75 (730)	9 (229)	9.6 (244)	12.56 (319)	14 (356)	14 (356)
365	21.5 (546)	60 (1524)	19.5 (495)	48 (1219)	24 (610)	4 (102)	1 (25)	6 (152)	3.25 (83)	20.62 (524)	54 (1372)	21.25 (540)	32 (813)	28.75 (730)	9 (229)	9.6 (244)	12.56 (319)	14 (356)	14 (356)

Dimensions are subject to change. Not to be used for construction purposes unless certified.

Xylem Inc.  
 8200 N. Austin Avenue  
 Morton Grove, IL 60053  
 Phone: (847)966-3700  
 Fax: (847)965-8379  
 www.xyleminc.com/brands/bellgossett

