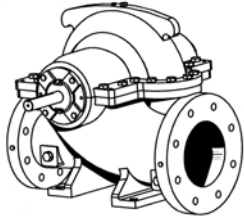


| | | |
|---|---|--|
| JOB: UNIT TAG: ENGINEER: CONTRACTOR: | REPRESENTATIVE: ORDER NO. SUBMITTED BY: APPROVED BY: | DATE: DATE: DATE: |
|---|---|--|



6x8x13

Series HSC³

Base Mounted - Double Suction Centrifugal Pumps

SPECIFICATIONS

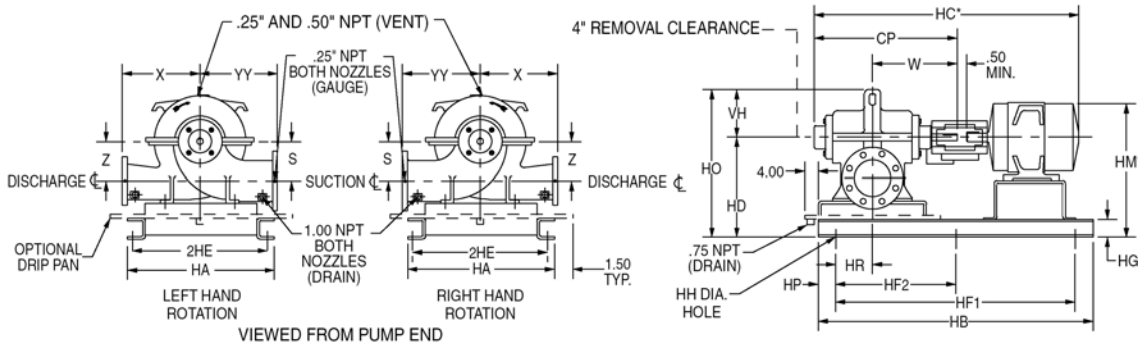
FLOW _____ HEAD _____
 HP _____ RPM _____
 VOLTS _____
 CYCLE _____ PHASE _____
 ENCLOSURE _____
 APPROX. WEIGHT _____
 SPECIALS _____

MATERIALS OF CONSTRUCTION

- Cast Iron Bronze Fitted
- Internally Self Flushing Mech. Seals
- Fabricated Heavy Duty Baseplate
- ANSI/OSHA Coupling Guard
- Flexible Coupling
- Spacer Coupling (Optional)
- Galvanized Drip Pan (Optional)

TYPE OF SEAL

- STANDARD SEAL CONSTRUCTION, 175 PSIG (12 BAR)
 WORKING PRESSURE, 125# ANSI FLANGE CONFIGURATION
- STANDARD:** Crane Type 21, BUNA/Carbon Ceramic, 100 psig (6.8 Bar) maximum suction pressure, from -20° to 225°F (-29 °C to 107 °C).
 - OPTIONAL:** Crane Type 21, EPR/Carbon Ceramic, 100 psig (6.8 Bar) maximum suction pressure, from -20° to 250°F (-29 °C to 121 °C).
 - OPTIONAL:** Crane Type 21, EPR/Carbon Tungsten Carbide, 100 psig (6.8 Bar) maximum suction pressure, from -20° to 250°F (-29 °C to 121 °C).



| FLANGE DIMENSIONS IN INCHES | |
|-----------------------------|---------|
| Discharge | Suction |
| 6 | 8 |

DIMENSIONS - Inches (mm)

| MOTOR FRAME | HA | HB | 2HE | HF ₁ | HF ₂ | HG | HH | HP | HR | CP | HC* | HD | HM* | HO | S & Z | VH | W | X | YY |
|-------------|-------------|--------------|-------------|-----------------|-----------------|------------|-----------|------------|---------------|----------------|--------------|-------------|-------------|---------------|------------|--------------|----------------|-------------|---------------|
| 254 | 24 (610) | 62 (1575) | 22 (559) | 50 (1270) | 25 (635) | 4 (102) | 1 (25) | 6 (152) | 5.62 (143) | 26.19 (665) | 50 (1270) | 20 (508) | 27 (686) | 29.4 (747) | 8 (203) | 9.4 (239) | 16.06 (408) | 13 (330) | 15.5 (394) |
| 256 | 24 (610) | 62 (1575) | 22 (559) | 50 (1270) | 25 (635) | 4 (102) | 1 (25) | 6 (152) | 5.62 (143) | 26.19 (665) | 51 (1296) | 20 (508) | 27 (686) | 29.4 (747) | 8 (203) | 9.4 (239) | 16.06 (408) | 13 (330) | 15.5 (394) |
| 284 | 24 (610) | 62 (1575) | 22 (559) | 50 (1270) | 25 (635) | 4 (102) | 1 (25) | 6 (152) | 5.62 (143) | 26.19 (665) | 52 (1321) | 20 (508) | 28 (711) | 29.4 (747) | 8 (203) | 9.4 (239) | 16.06 (408) | 13 (330) | 15.5 (394) |
| 286 | 24 (610) | 62 (1575) | 22 (559) | 50 (1270) | 25 (635) | 4 (102) | 1 (25) | 6 (152) | 5.62 (143) | 26.19 (665) | 53 (1346) | 20 (508) | 28 (711) | 29.4 (747) | 8 (203) | 9.4 (239) | 16.06 (408) | 13 (330) | 15.5 (394) |
| 324 | 24 (610) | 62 (1575) | 22 (559) | 50 (1270) | 25 (635) | 4 (102) | 1 (25) | 6 (152) | 5.62 (143) | 26.19 (665) | 55 (1397) | 20 (508) | 29 (737) | 29.4 (747) | 8 (203) | 9.4 (239) | 16.06 (408) | 13 (330) | 15.5 (394) |
| 326 | 24 (610) | 62 (1575) | 22 (559) | 50 (1270) | 25 (635) | 4 (102) | 1 (25) | 6 (152) | 5.62 (143) | 26.19 (665) | 56 (1422) | 20 (508) | 29 (737) | 29.4 (747) | 8 (203) | 9.4 (239) | 16.06 (408) | 13 (330) | 15.5 (394) |
| 364 | 24 (610) | 68 (1727) | 22 (559) | 56 (1422) | 28 (711) | 4 (102) | 1 (25) | 6 (152) | 5.62 (143) | 26.19 (665) | 57 (1448) | 20 (508) | 30 (762) | 29.4 (747) | 8 (203) | 9.4 (239) | 16.06 (408) | 13 (330) | 15.5 (394) |
| 365 | 24 (610) | 68 (1727) | 22 (559) | 56 (1422) | 28 (711) | 4 (102) | 1 (25) | 6 (152) | 5.62 (143) | 26.19 (665) | 58 (1473) | 20 (508) | 30 (762) | 29.4 (747) | 8 (203) | 9.4 (239) | 16.06 (408) | 13 (330) | 15.5 (394) |
| 404 | 24 (610) | 68 (1727) | 22 (559) | 56 (1422) | 28 (711) | 4 (102) | 1 (25) | 6 (152) | 5.62 (143) | 26.19 (665) | 63 (1600) | 20 (508) | 31 (787) | 29.4 (747) | 8 (203) | 9.4 (239) | 16.06 (408) | 13 (330) | 15.5 (394) |
| 405 | 24 (610) | 68 (1727) | 22 (559) | 56 (1422) | 28 (711) | 4 (102) | 1 (25) | 6 (152) | 5.62 (143) | 26.19 (665) | 65 (1651) | 20 (508) | 31 (787) | 29.4 (747) | 8 (203) | 9.4 (239) | 16.06 (408) | 13 (330) | 15.5 (394) |

Dimensions are subject to change. Not to be used for construction purposes unless certified.

Xylem Inc.
 8200 N. Austin Avenue
 Morton Grove, IL 60053
 Phone: (847)966-3700
 Fax: (847)965-8379
 www.xyleminc.com/brands/bellgossett



Bell & Gossett is a trademark of Xylem Inc. or one of its subsidiaries.
 © 2012 Xylem Inc.