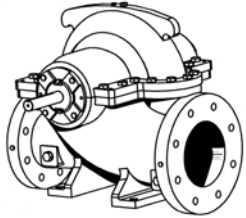


<b>JOB:</b>    <b>UNIT TAG:</b> <b>ENGINEER:</b> <b>CONTRACTOR:</b>	<b>REPRESENTATIVE:</b>    <b>ORDER NO.</b> <b>SUBMITTED BY:</b> <b>APPROVED BY:</b>	<b>DATE:</b> <b>DATE:</b> <b>DATE:</b>
---------------------------------------------------------------------------------------	-------------------------------------------------------------------------------------------------------	----------------------------------------------



# 8x10x20S

## Series HSC<sup>3</sup>

### Base Mounted - Double Suction Centrifugal Pumps

**SPECIFICATIONS**

FLOW \_\_\_\_\_ HEAD \_\_\_\_\_

HP \_\_\_\_\_ RPM \_\_\_\_\_

VOLTS \_\_\_\_\_

CYCLE \_\_\_\_\_ PHASE \_\_\_\_\_

ENCLOSURE \_\_\_\_\_

APPROX. WEIGHT \_\_\_\_\_

SPECIALS \_\_\_\_\_

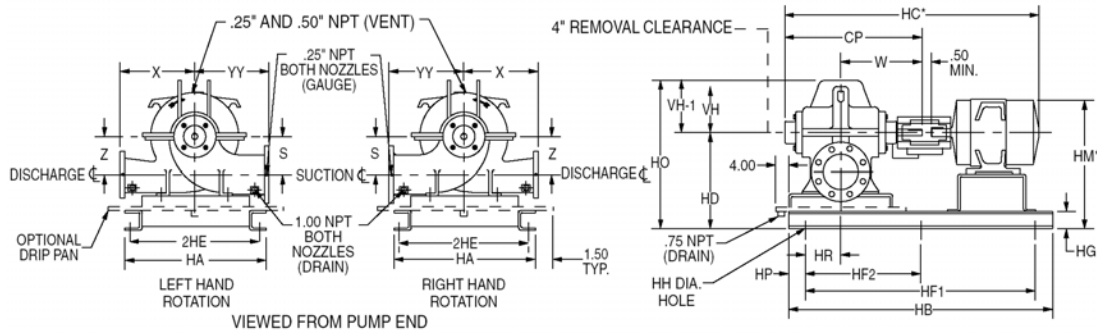
\_\_\_\_\_

**MATERIALS OF CONSTRUCTION**

- Cast Iron Bronze Fitted
- Internally Self Flushing Mech. Seals
- Fabricated Heavy Duty Baseplate
- ANSI/OSHA Coupling Guard
- Flexible Coupling
- Spacer Coupling (Optional)
- Galvanized Drip Pan (Optional)

**TYPE OF SEAL**

- STANDARD SEAL CONSTRUCTION, 175 PSIG (12 BAR)  
WORKING PRESSURE, 125# ANSI FLANGE CONFIGURATION
- STANDARD:** Crane Type 21, BUNA/Carbon Ceramic, 100 psig (6.8 Bar) maximum suction pressure, from -20° to 225°F (-29 °C to 107 °C).
  - OPTIONAL:** Crane Type 21, EPR/Carbon Ceramic, 100 psig (6.8 Bar) maximum suction pressure, from -20° to 250°F (-29 °C to 121 °C).
  - OPTIONAL:** Crane Type 21, EPR/Carbon Tungsten Carbide, 100 psig (6.8 Bar) maximum suction pressure, from -20° to 250°F (-29 °C to 121 °C).



FLANGE DIMENSIONS IN INCHES	
Discharge	Suction
8	10

HQ: HOLES PER SIDE

**DIMENSIONS - Inches (mm)**

MOTOR FRAME	HA	HB	2HE	HF <sub>1</sub>	HF <sub>2</sub>	HG	HH	HP	HR	CP	HC*	HD	HM*	HO	HQ	S & Z	VH	VH-1	W	X	YY
324	26 (660)	66 (1676)	24 (610)	54 (1372)	27 (686)	4 (102)	1 (25)	6 (152)	7 (178)	28.94 (735)	58 (1473)	27.25 (692)	36 (914)	49.5 (1257)	3	14 (356)	15.44 (392)	22.25 (565)	17.56 (446)	18 (457)	20 (508)
326	26 (660)	66 (1676)	24 (610)	54 (1372)	27 (686)	4 (102)	1 (25)	6 (152)	7 (178)	28.94 (735)	61 (1549)	27.25 (692)	36 (914)	49.5 (1257)	3	14 (356)	15.44 (392)	22.25 (565)	17.56 (446)	18 (457)	20 (508)
364	26 (660)	66 (1676)	24 (610)	54 (1372)	27 (686)	4 (102)	1 (25)	6 (152)	7 (178)	28.94 (735)	62 (1575)	27.25 (692)	37 (940)	49.5 (1257)	3	14 (356)	15.44 (392)	22.25 (565)	17.56 (446)	18 (457)	20 (508)
365	26 (660)	66 (1676)	24 (610)	54 (1372)	27 (686)	4 (102)	1 (25)	6 (152)	7 (178)	28.94 (735)	60 (1524)	27.25 (692)	37 (940)	49.5 (1257)	3	14 (356)	15.44 (392)	22.25 (565)	17.56 (446)	18 (457)	20 (508)
404	31.4 (798)	76 (1930)	29.5 (749)	66 (1676)	16.5 (419)	6 (152)	0.88 (22)	5 (127)	8 (203)	28.94 (735)	66 (1676)	29.25 (743)	40 (1016)	51.5 (1308)	5	14 (356)	15.44 (392)	22.25 (565)	17.56 (446)	18 (457)	20 (508)
405	31.4 (798)	76 (1930)	29.5 (749)	66 (1676)	16.5 (419)	6 (152)	0.88 (22)	5 (127)	8 (203)	28.94 (735)	67 (1702)	29.25 (743)	40 (1016)	51.5 (1308)	5	14 (356)	15.44 (392)	22.25 (565)	17.56 (446)	18 (457)	20 (508)
444	31.4 (798)	76 (1930)	29.5 (749)	66 (1676)	16.5 (419)	6 (152)	0.88 (22)	5 (127)	8 (203)	28.94 (735)	72 (1829)	29.25 (743)	41 (1041)	51.5 (1308)	5	14 (356)	15.44 (392)	22.25 (565)	17.56 (446)	18 (457)	20 (508)
445	31.4 (798)	76 (1930)	29.5 (749)	66 (1676)	16.5 (419)	6 (152)	0.88 (22)	5 (127)	8 (203)	28.94 (735)	74 (1880)	29.25 (743)	41 (1041)	51.5 (1308)	5	14 (356)	15.44 (392)	22.25 (565)	17.56 (446)	18 (457)	20 (508)
447	31.4 (798)	86 (2184)	29.5 (749)	76 (1930)	19 (483)	6 (152)	0.88 (22)	5 (127)	8 (203)	28.94 (735)	77 (1956)	29.25 (743)	41 (1041)	51.5 (1308)	5	14 (356)	15.44 (392)	22.25 (565)	17.56 (446)	18 (457)	20 (508)
449	31.4 (798)	86 (2184)	29.5 (749)	76 (1930)	19 (483)	6 (152)	0.88 (22)	5 (127)	8 (203)	28.94 (735)	82 (2083)	29.25 (743)	41 (1041)	51.5 (1308)	5	14 (356)	15.44 (392)	22.25 (565)	17.56 (446)	18 (457)	20 (508)

Dimensions are subject to change. Not to be used for construction purposes unless certified.

\*Motor dimensions are approximate for "T" frames, vary by manufacturer and type.

Xylem Inc.  
8200 N. Austin Avenue  
Morton Grove, IL 60053  
Phone: (847)966-3700  
Fax: (847)965-8379  
www.xyleminc.com/brands/bellgossett

