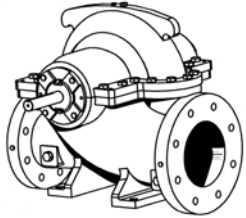


JOB:	REPRESENTATIVE:	
UNIT TAG:	ORDER NO.	DATE:
ENGINEER:	SUBMITTED BY:	DATE:
CONTRACTOR:	APPROVED BY:	DATE:



10x12x12M

Series HSC³

Base Mounted - Double Suction Centrifugal Pumps

SPECIFICATIONS

FLOW _____ HEAD _____

HP _____ RPM _____

VOLTS _____

CYCLE _____ PHASE _____

ENCLOSURE _____

APPROX. WEIGHT _____

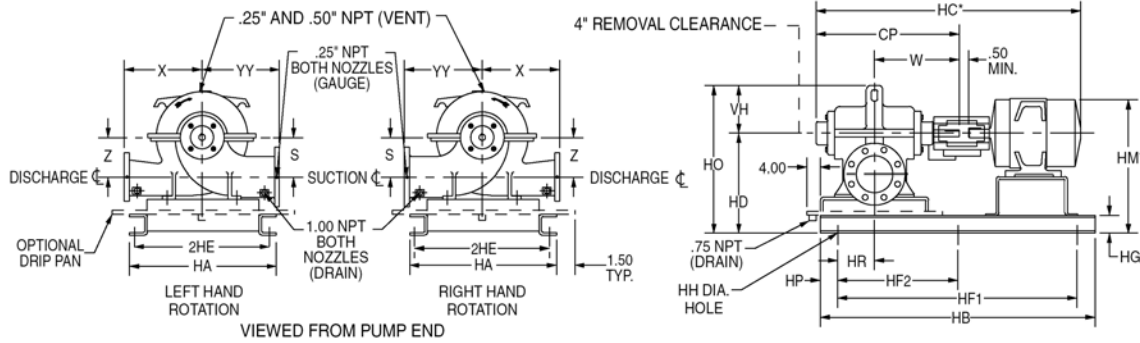
SPECIALS _____

MATERIALS OF CONSTRUCTION

- Cast Iron Bronze Fitted
- Internally Self Flushing Mech. Seals
- Fabricated Heavy Duty Baseplate
- ANSI/OSHA Coupling Guard
- Flexible Coupling
- Spacer Coupling (Optional)
- Galvanized Drip Pan (Optional)

TYPE OF SEAL

- STANDARD SEAL CONSTRUCTION, 175 PSIG (12 BAR) WORKING PRESSURE, 125# ANSI FLANGE CONFIGURATION
- STANDARD:** Crane Type 21, BUNA/Carbon Ceramic, 100 psig (6.8 Bar) maximum suction pressure, from -20° to 225°F (-29 °C to 107 °C).
 - OPTIONAL:** Crane Type 21, EPR/Carbon Ceramic, 100 psig (6.8 Bar) maximum suction pressure, from -20° to 250°F (-29 °C to 121 °C).
 - OPTIONAL:** Crane Type 21, EPR/Carbon Tungsten Carbide, 100 psig (6.8 Bar) maximum suction pressure, from -20° to 250°F (-29 °C to 121 °C).



HQ: HOLES PER SIDE

FLANGE DIMENSIONS IN INCHES	
Discharge	Suction
10	12

DIMENSIONS - Inches (mm)

MOTOR FRAME	HA	HB	2HE	HF ₁	HF ₂	HG	HH	HP	HR	CP	HC*	HD	HM*	HO	HQ	S & Z	VH	W	X	YY
284	24 (610)	68 (1727)	22 (559)	56 (1422)	28 (711)	4 (102)	1 (25)	6 (152)	8.5 (216)	31.94 (811)	62 (1575)	24.5 (622)	32 (813)	36 (914)	3	10 (254)	11.5 (292)	19.06 (484)	16 (406)	19 (483)
286	24 (610)	68 (1727)	22 (559)	56 (1422)	28 (711)	4 (102)	1 (25)	6 (152)	8.5 (216)	31.94 (811)	63 (1600)	24.5 (622)	32 (813)	36 (914)	3	10 (254)	11.5 (292)	19.06 (484)	16 (406)	19 (483)
324	24 (610)	68 (1727)	22 (559)	56 (1422)	28 (711)	4 (102)	1 (25)	6 (152)	8.5 (216)	31.94 (811)	65 (1651)	24.5 (622)	33 (838)	36 (914)	3	10 (254)	11.5 (292)	19.06 (484)	16 (406)	19 (483)
326	24 (610)	68 (1727)	22 (559)	56 (1422)	28 (711)	4 (102)	1 (25)	6 (152)	8.5 (216)	31.94 (811)	66 (1677)	24.5 (622)	33 (838)	36 (914)	3	10 (254)	11.5 (292)	19.06 (484)	16 (406)	19 (483)
364	24 (610)	68 (1727)	22 (559)	56 (1422)	28 (711)	4 (102)	1 (25)	6 (152)	8.5 (216)	31.94 (811)	67 (1702)	24.5 (622)	34 (864)	36 (914)	3	10 (254)	11.5 (292)	19.06 (484)	16 (406)	19 (483)
365	24 (610)	68 (1727)	22 (559)	56 (1422)	28 (711)	4 (102)	1 (25)	6 (152)	8.5 (216)	31.94 (811)	68 (1727)	24.5 (622)	34 (864)	36 (914)	3	10 (254)	11.5 (292)	19.06 (484)	16 (406)	19 (483)
404	29.4 (747)	80 (2032)	27.5 (699)	70 (1778)	17.5 (445)	6 (152)	0.88 (22)	5 (127)	9.5 (241)	31.94 (811)	73 (1854)	26.5 (673)	37 (940)	38 (965)	5	10 (254)	11.5 (292)	19.06 (484)	16 (406)	19 (483)
405	29.4 (747)	80 (2032)	27.5 (699)	70 (1778)	17.5 (445)	6 (152)	0.88 (22)	5 (127)	9.5 (241)	31.94 (811)	75 (1905)	26.5 (673)	37 (940)	38 (965)	5	10 (254)	11.5 (292)	19.06 (484)	16 (406)	19 (483)
444	29.4 (747)	80 (2032)	27.5 (699)	70 (1778)	17.5 (445)	6 (152)	0.88 (22)	5 (127)	9.5 (241)	31.94 (811)	79 (2007)	26.5 (673)	38 (965)	38 (965)	5	10 (254)	11.5 (292)	19.06 (484)	16 (406)	19 (483)
445	29.4 (747)	80 (2032)	27.5 (699)	70 (1778)	17.5 (445)	6 (152)	0.88 (22)	5 (127)	9.5 (241)	31.94 (811)	81 (2057)	26.5 (673)	38 (965)	38 (965)	5	10 (254)	11.5 (292)	19.06 (484)	16 (406)	19 (483)

Dimensions are subject to change. Not to be used for construction purposes unless certified.

*Motor dimensions are approximate for "T" frames, vary by manufacturer and type.

Xylem Inc.
 8200 N. Austin Avenue
 Morton Grove, IL 60053
 Phone: (847)966-3700
 Fax: (847)965-8379
 www.xyleminc.com/brands/bellgossett

