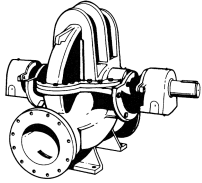


JOB: _____ REPRESENTATIVE: _____

UNIT TAG: _____ ORDER NO. _____ DATE: _____

ENGINEER: _____ SUBMITTED BY: _____ DATE: _____

CONTRACTOR: _____ APPROVED BY: _____ DATE: _____



14x16x17 - Frames: 404T-449TS

Bell & Gossett Series HSCS

Base Mounted - Double Suction Centrifugal Pumps

SPECIFICATIONS:

_____ GPM _____ FT. _____ RPM

MOTOR DATA: _____ HP _____ VOLTS

_____ ENCL. _____ HZ _____ PHASE

SPEC. CONSTR.: _____

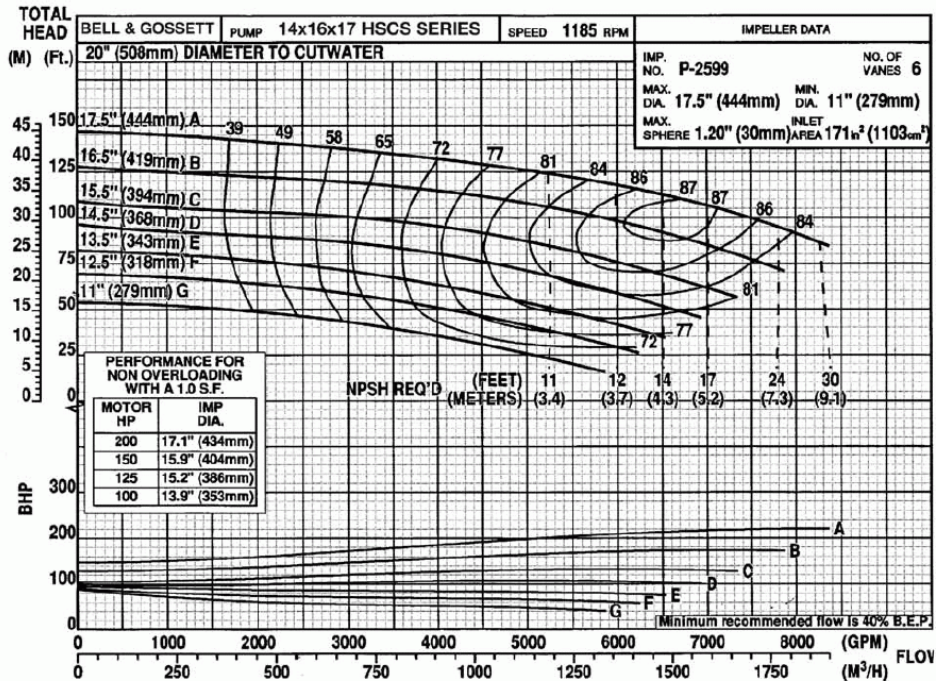
APPROX. WEIGHT _____ LBS.

MATERIALS OF CONSTRUCTION

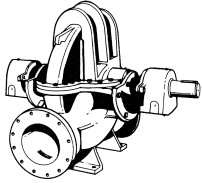
- CAST IRON BRONZE FITTED
- FABRICATED HEAVY DUTY
- OSHA COUPLING GUARD
- ALL METAL GEAR TYPE COUPLING
- GALVANIZED DRIP PAN UNDER FLANGES (OPTIONAL)

TYPE OF SEAL

- STANDARD:** 175 PSIG (12 Bar) working pressure, **125# ANSI Flange Configuration
- OPTIONAL:** 300 PSIG (21 bar) working pressure, ***250# ANSI Flange Configuration
- STANDARD:** Crane Type 8-1, Viton/Carbon Ceramic, 75 psig (5 Bar) maximum suction pressure, from -10° to 220°F (-23 °C to 104 °C).
- OPTIONAL:** Crane Type 8-1, Viton/Carbon Tungsten Carbide, 75 psig (5 Bar) maximum suction pressure, from -10° to 220°F (-23 °C to 104 °C).
- OPTIONAL:** Crane Type 8B-1, Viton/Carbon-Ceramic, 200 PSIG (13 Bar) maximum suction pressure, from -10° to 220°F (-23 °C to 104 °C).
- OTHER:** _____



JOB:	REPRESENTATIVE:	
UNIT TAG:	ORDER NO.:	DATE:
ENGINEER:	SUBMITTED BY:	DATE:
CONTRACTOR:	APPROVED BY:	DATE:



14x16x17 - Frames: 404T-449TS

Bell & Gossett Series HSCS

Base Mounted - Double Suction Centrifugal Pumps

SPECIFICATIONS:

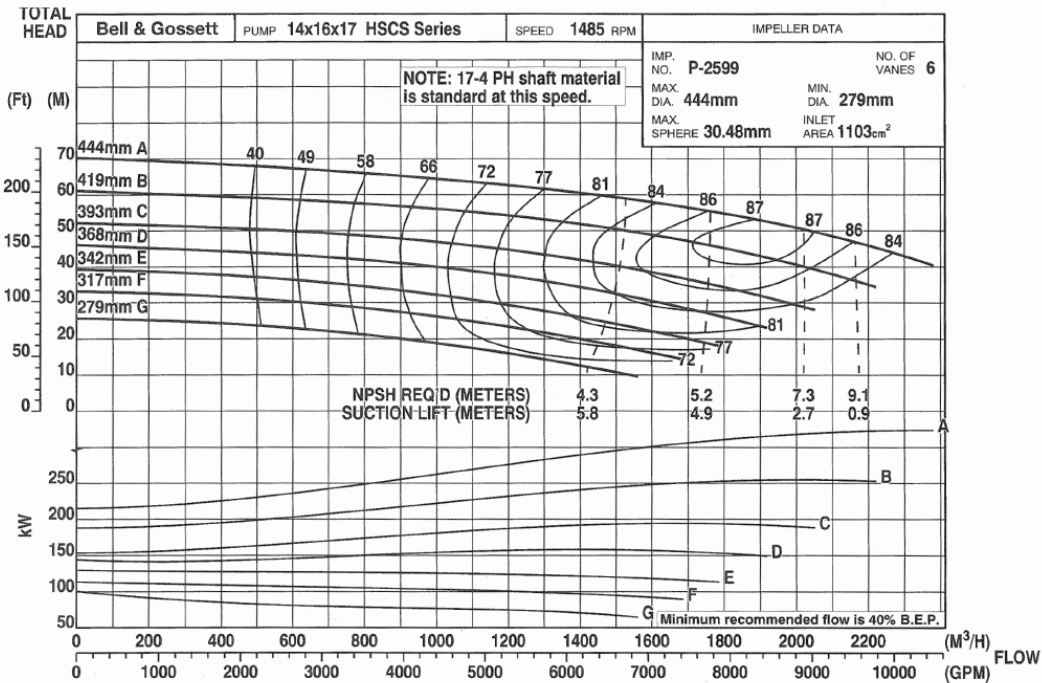
_____ GPM _____ FT. _____ RPM
 MOTOR
 DATA: _____ HP _____ VOLTS
 _____ ENCL. _____ HZ _____ PHASE
 SPEC. CONSTR.: _____
 APPROX.
 WEIGHT _____ LBS.

MATERIALS OF CONSTRUCTION

- CAST IRON BRONZE FITTED
- FABRICATED HEAVY DUTY
- OSHA COUPLING GUARD
- ALL METAL GEAR TYPE COUPLING
- GALVANIZED DRIP PAN UNDER FLANGES (OPTIONAL)

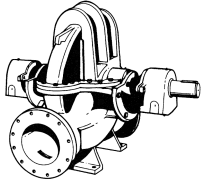
TYPE OF SEAL

- STANDARD:** 175 PSIG (12 Bar) working pressure, **125# ANSI Flange Configuration
- OPTIONAL:** 300 PSIG (21 bar) working pressure, ***250# ANSI Flange Configuration
- STANDARD:** Crane Type 8-1, Viton/Carbon Ceramic, 75 psig (5 Bar) maximum suction pressure, from -10° to 220°F (-23 °C to 104 °C).
- OPTIONAL:** Crane Type 8-1, Viton/Carbon Tungsten Carbide, 75 psig (5 Bar) maximum suction pressure, from -10° to 220°F (-23 °C to 104 °C).
- OPTIONAL:** Crane Type 8B-1, Viton/Carbon-Ceramic, 200 PSIG (13 Bar) maximum suction pressure, from -10° to 220°F (-23 °C to 104 °C).
- OTHER:**



JOB: _____ REPRESENTATIVE: _____

UNIT TAG: _____ ORDER NO. _____ DATE: _____
 ENGINEER: _____ SUBMITTED BY: _____ DATE: _____
 CONTRACTOR: _____ APPROVED BY: _____ DATE: _____



14x16x17 - Frames: 404T-449TS

Bell & Gossett Series HSCS

Base Mounted - Double Suction Centrifugal Pumps

SPECIFICATIONS:

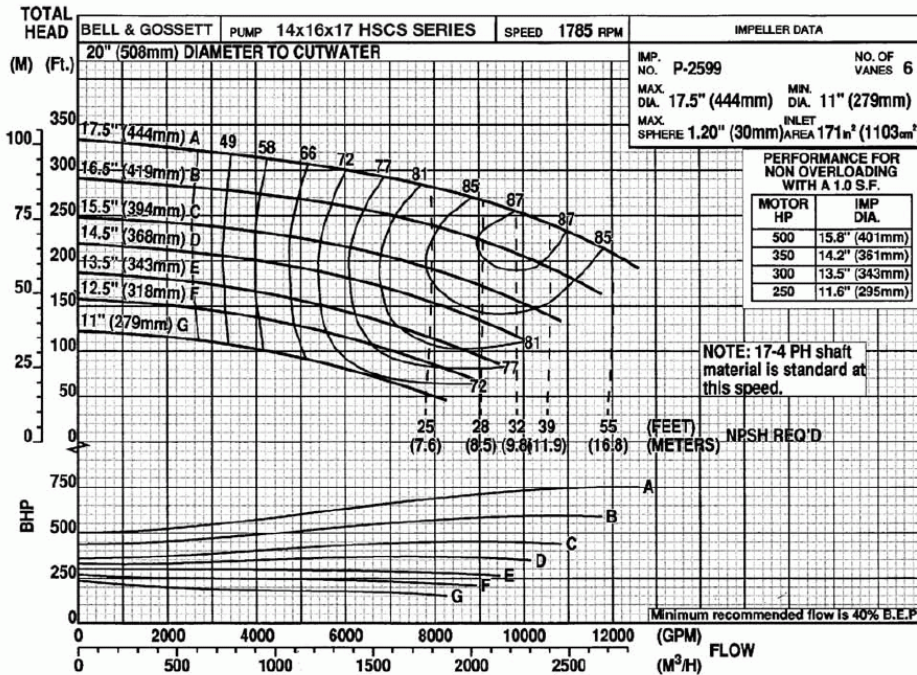
_____ GPM _____ FT. _____ RPM
 MOTOR DATA: _____ HP _____ VOLTS
 _____ ENCL. _____ HZ _____ PHASE
 SPEC. CONSTR.: _____
 APPROX. WEIGHT _____ LBS.

MATERIALS OF CONSTRUCTION

- CAST IRON BRONZE FITTED
- FABRICATED HEAVY DUTY
- OSHA COUPLING GUARD
- ALL METAL GEAR TYPE COUPLING
- GALVANIZED DRIP PAN UNDER FLANGES (OPTIONAL)

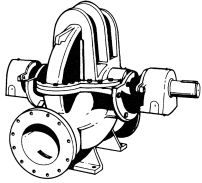
TYPE OF SEAL

- STANDARD:** 175 PSIG (12 Bar) working pressure, **125# ANSI Flange Configuration
- OPTIONAL:** 300 PSIG (21 bar) working pressure, ***250# ANSI Flange Configuration
- STANDARD:** Crane Type 8-1, Viton/Carbon Ceramic, 75 psig (5 Bar) maximum suction pressure, from -10° to 220°F (-23 °C to 104 °C).
- OPTIONAL:** Crane Type 8-1, Viton/Carbon Tungsten Carbide, 75 psig (5 Bar) maximum suction pressure, from -10° to 220°F (-23 °C to 104 °C).
- OPTIONAL:** Crane Type 8B-1, Viton/Carbon-Ceramic, 200 PSIG (13 Bar) maximum suction pressure, from -10° to 220°F (-23 °C to 104 °C).
- OTHER:** _____



JOB: _____ REPRESENTATIVE: _____

UNIT TAG: _____ ORDER NO. _____ DATE: _____
 ENGINEER: _____ SUBMITTED BY: _____ DATE: _____
 CONTRACTOR: _____ APPROVED BY: _____ DATE: _____



14x16x17 - Frames: 404T-449TS

Bell & Gossett Series HSCS

Base Mounted - Double Suction Centrifugal Pumps

SPECIFICATIONS:

_____ GPM _____ FT. _____ RPM
 MOTOR DATA: _____ HP _____ VOLTS
 _____ ENCL. _____ HZ _____ PHASE
 SPEC. CONSTR.: _____
 APPROX. WEIGHT _____ LBS.

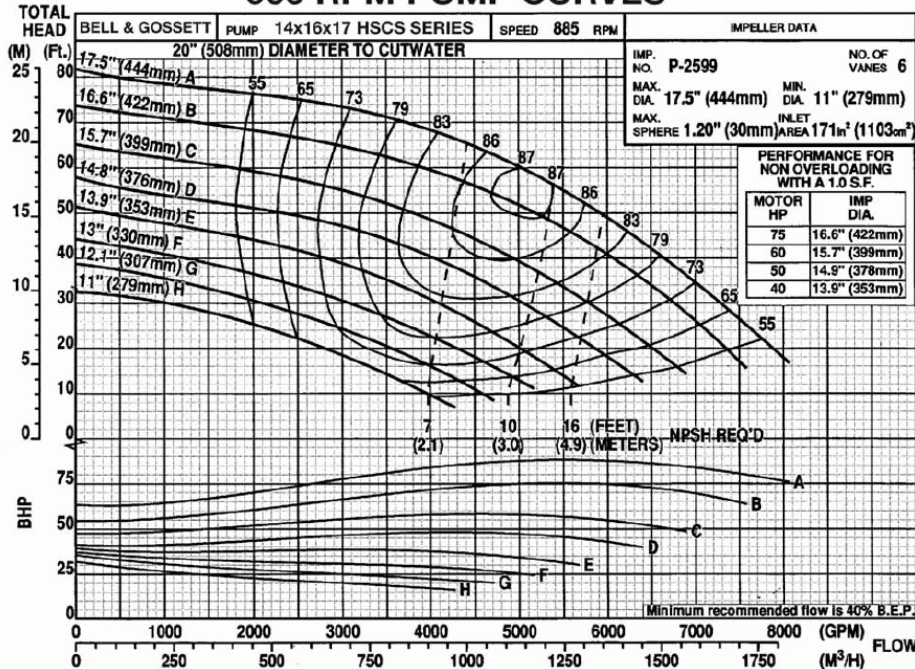
MATERIALS OF CONSTRUCTION

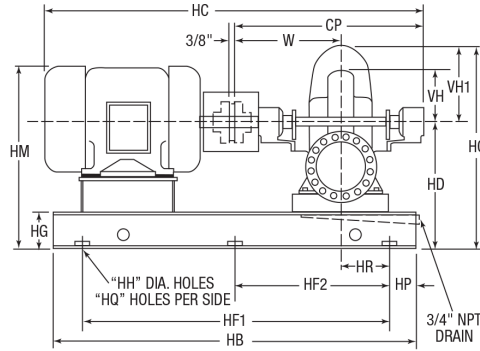
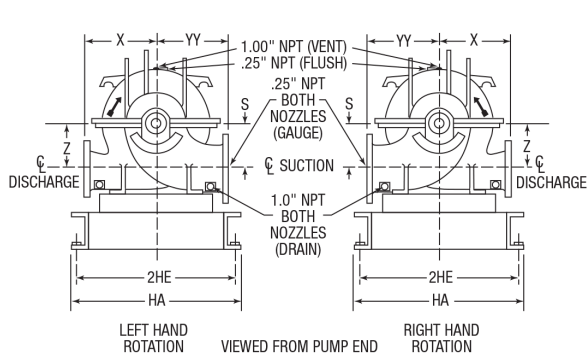
- CAST IRON BRONZE FITTED
- FABRICATED HEAVY DUTY
- OSHA COUPLING GUARD
- ALL METAL GEAR TYPE COUPLING
- GALVANIZED DRIP PAN UNDER FLANGES (OPTIONAL)

TYPE OF SEAL

- STANDARD:** 175 PSIG (12 Bar) working pressure, **125# ANSI Flange Configuration
- OPTIONAL:** 300 PSIG (21 bar) working pressure, ***250# ANSI Flange Configuration
- STANDARD:** Crane Type 8-1, Viton/Carbon Ceramic, 75 psig (5 Bar) maximum suction pressure, from -10° to 220°F (-23 °C to 104 °C).
- OPTIONAL:** Crane Type 8-1, Viton/Carbon Tungsten Carbide, 75 psig (5 Bar) maximum suction pressure, from -10° to 220°F (-23 °C to 104 °C).
- OPTIONAL:** Crane Type 8B-1, Viton/Carbon-Ceramic, 200 PSIG (13 Bar) maximum suction pressure, from -10° to 220°F (-23 °C to 104 °C).
- OTHER:** _____

900 RPM PUMP CURVES





**Flange dimensions are in accordance with ANSI A21.10, AWWA C110 & ANSI B16.1 class 125.
 ***Flange dimensions are in accordance with ANSI B16.1 class 250 except flanges are flat faced, i.e., F.F.

FLANGE DIMENSIONS IN INCHES (MM)

Discharge	Suction
14	16

DIMENSIONS - Inches (mm)

MOTOR FRAME	HA	HB	2HE	HF ₁	HF ₂	HG	HH	HP	HR	CP	HC*	HD	HM*	HO	HQ	S & Z	VH	VH ₁	W	X	YY
404T	27 (686)	82 (2083)	25.76 (654)	70 (1778)	35 (889)	6 (152)	.75 (19)	6 (152)	7.75 (197)	54.25 (1378)	91 (2311)	30.5 (775)	41 (1041)	53.5 (1359)	3	14 (356)	16.25 (413)	23.80 (584)	30.5 (775)	18 (457)	24 (610)
404TS	27 (686)	82 (2083)	25.76 (654)	70 (1778)	35 (889)	6 (152)	.75 (19)	6 (152)	7.75 (197)	54.25 (1378)	90 (2286)	30.5 (775)	41 (1041)	53.5 (1359)	3	14 (356)	16.25 (413)	23.80 (584)	30.5 (775)	18 (457)	24 (610)
405T	27 (686)	82 (2083)	25.76 (654)	70 (1778)	35 (889)	6 (152)	.75 (19)	6 (152)	7.75 (197)	54.25 (1378)	93 (2362)	30.5 (775)	41 (1041)	53.5 (1359)	3	14 (356)	16.25 (413)	23.80 (584)	30.5 (775)	18 (457)	24 (610)
405TS	27 (686)	82 (2083)	25.76 (654)	70 (1778)	35 (889)	6 (152)	.75 (19)	6 (152)	7.75 (197)	54.25 (1378)	90 (2286)	30.5 (775)	41 (1041)	53.5 (1359)	3	14 (356)	16.25 (413)	23.80 (584)	30.5 (775)	18 (457)	24 (610)
444T	27 (686)	82 (2083)	25.76 (654)	70 (1778)	35 (889)	6 (152)	.75 (19)	6 (152)	7.75 (197)	54.25 (1378)	99 (2515)	30.5 (775)	42 (1067)	53.5 (1359)	3	14 (356)	16.25 (413)	23.80 (584)	30.5 (775)	18 (457)	24 (610)
444TS	27 (686)	82 (2083)	25.76 (654)	70 (1778)	35 (889)	6 (152)	.75 (19)	6 (152)	7.75 (197)	54.25 (1378)	95 (2413)	30.5 (775)	42 (1067)	53.5 (1359)	3	14 (356)	16.25 (413)	23.80 (584)	30.5 (775)	18 (457)	24 (610)
445T	27 (686)	82 (2083)	25.76 (654)	70 (1778)	35 (889)	6 (152)	.75 (19)	6 (152)	7.75 (197)	54.25 (1378)	101 (2565)	30.5 (775)	42 (1067)	53.5 (1359)	3	14 (356)	16.25 (413)	23.80 (584)	30.5 (775)	18 (457)	24 (610)
445TS	27 (686)	82 (2083)	25.76 (654)	70 (1778)	35 (889)	6 (152)	.75 (19)	6 (152)	7.75 (197)	54.25 (1378)	97 (2464)	30.5 (775)	42 (1067)	53.5 (1359)	3	14 (356)	16.25 (413)	23.80 (584)	30.5 (775)	18 (457)	24 (610)
447T	27 (686)	90 (2286)	25.76 (654)	78 (1981)	26 (660)	6 (152)	.75 (19)	6 (152)	7.75 (197)	54.25 (1378)	104 (2642)	30.5 (775)	42 (1067)	53.5 (1359)	4	14 (356)	16.25 (413)	23.80 (584)	30.5 (775)	18 (457)	24 (610)
447TS	27 (686)	90 (2286)	25.76 (654)	78 (1981)	26 (660)	6 (152)	.75 (19)	6 (152)	7.75 (197)	54.25 (1378)	100 (2540)	30.5 (775)	42 (1067)	53.5 (1359)	4	14 (356)	16.25 (413)	23.80 (584)	30.5 (775)	18 (457)	24 (610)
449T	27 (686)	90 (2286)	25.76 (654)	78 (1981)	26 (660)	6 (152)	.75 (19)	6 (152)	7.75 (197)	54.25 (1378)	109 (2769)	30.5 (775)	42 (1067)	53.5 (1359)	4	14 (356)	16.25 (413)	23.80 (584)	30.5 (775)	18 (457)	24 (610)
449TS	27 (686)	90 (2286)	25.76 (654)	78 (1981)	26 (660)	6 (152)	.75 (19)	6 (152)	7.75 (197)	54.25 (1378)	106 (2692)	30.5 (775)	42 (1067)	53.5 (1359)	4	14 (356)	16.25 (413)	23.80 (584)	30.5 (775)	18 (457)	24 (610)

*Motor dimensions are approximate, vary by manufacturer and motor type.
 Dimensions are subject to change. Not to be used for construction purposes unless certified.

Xylem Inc.
 8200 N. Austin Avenue
 Morton Grove, IL 60053
 Phone: (847)966-3700
 Fax: (847)965-8379
 www.bellgossett.com

