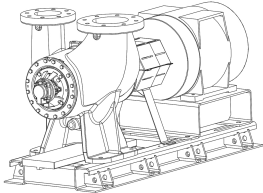


JOB:	REPRESENTATIVE:	
UNIT TAG:	ORDER NO.	DATE:
ENGINEER:	SUBMITTED BY:	DATE:
CONTRACTOR:	APPROVED BY:	DATE:



Model VSC 6x8x17 1/2 A Double Suction Split Case Pump



SPECIFICATIONS

FLOW _____ HEAD _____
 HP _____ RPM _____
 VOLTS _____
 CYCLE _____ PHASE _____
 ENCLOSURE _____
 APPROX. WEIGHT _____
 SPECIALS _____

STANDARD MATERIALS OF CONSTRUCTION

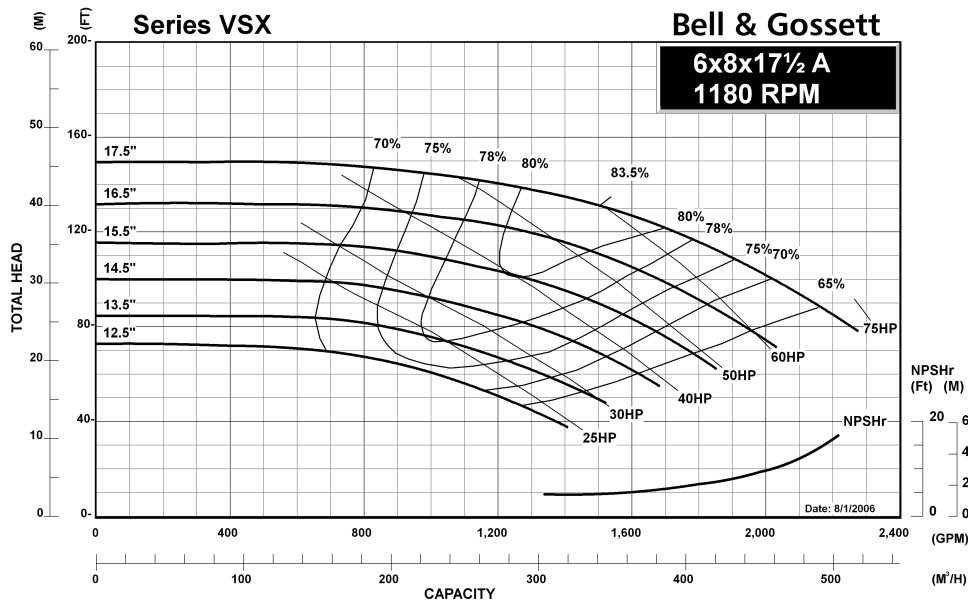
- Cast Iron Bronze Fitted
- Heavy Duty Maintenance Free Bearings
- Alignment Friendly Coupling
- Heavy Duty Groutless Baseplate
- ANSI/OSHA Coupling Guard
- ISO 1940-1:2003 Impeller Balance

OPTIONAL MATERIALS OF CONSTRUCTION

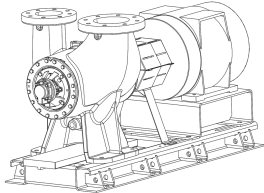
- Galvanized Drip Pan
- Spacer Coupling

TYPE OF SEAL AND WORKING PRESSURE

- Standard:** 175 PSIG (12 BAR) max. working pressure, flat face flanges, 125# ANSI flange drilling, Unitized mechanical seal, EPR/Carbon/Silicon Carbide, 175 PSIG (12 BAR) max. suction pressure, 0 to 300°F (-18 to 149°C)
- Optional:** 300 PSIG (20 BAR) max. working pressure, flat face flanges, 250# ANSI flange drilling, Unitized mechanical seal, EPR/Carbon/Silicon Carbide, 200 PSIG (13.7 BAR) max. suction pressure, 0 to 300°F (-18 to 149°C)
- Optional:** 300 PSIG (20 BAR) max. working pressure, flat face flanges, 250# ANSI flange drilling, balanced mechanical seal, EPR/Graphite loaded Silicon Carbide on Graphite loaded Silicon Carbide, 300 PSIG (20 BAR) max. suction pressure, 0 to 300°F (-18 to 149°C)



JOB:	REPRESENTATIVE:	
UNIT TAG:	ORDER NO.	DATE:
ENGINEER:	SUBMITTED BY:	DATE:
CONTRACTOR:	APPROVED BY:	DATE:



Model VSC

6x8x17 1/2 A

Double Suction Split Case Pump



SPECIFICATIONS

FLOW _____ HEAD _____
 HP _____ RPM _____
 VOLTS _____
 CYCLE _____ PHASE _____
 ENCLOSURE _____
 APPROX. WEIGHT _____
 SPECIALS _____

STANDARD MATERIALS OF CONSTRUCTION

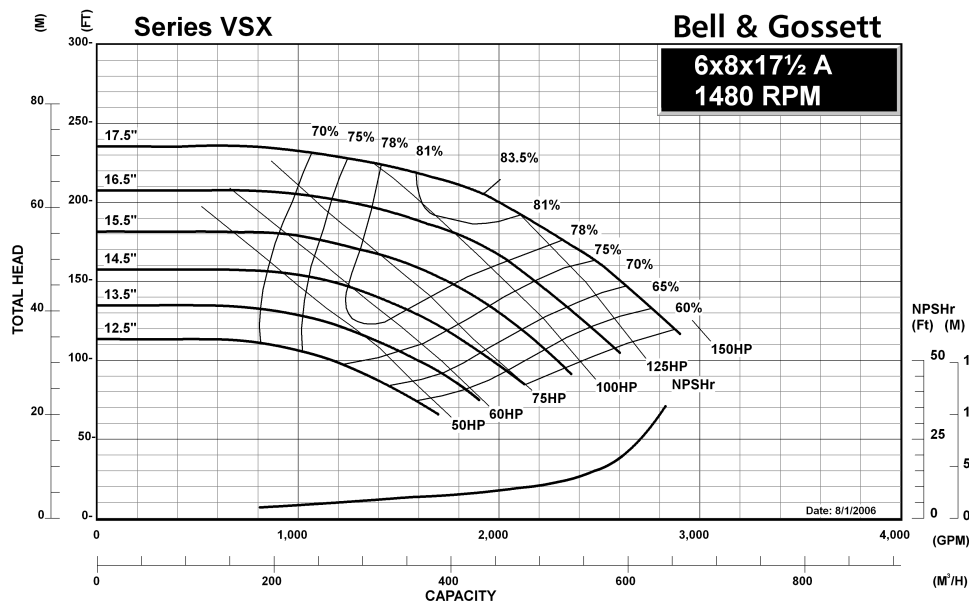
- Cast Iron Bronze Fitted
- Heavy Duty Maintenance Free Bearings
- Alignment Friendly Coupling
- Heavy Duty Groutless Baseplate
- ANSI/OSHA Coupling Guard
- ISO 1940-1:2003 Impeller Balance

OPTIONAL MATERIALS OF CONSTRUCTION

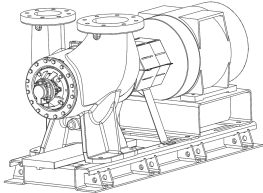
- Galvanized Drip Pan
- Spacer Coupling

TYPE OF SEAL AND WORKING PRESSURE

- Standard:** 175 PSIG (12 BAR) max. working pressure, flat face flanges, 125# ANSI flange drilling, Unitized mechanical seal, EPR/Carbon/Silicon Carbide, 175 PSIG (12 BAR) max. suction pressure, 0 to 300°F (-18 to 149°C)
- Optional:** 300 PSIG (20 BAR) max. working pressure, flat face flanges, 250# ANSI flange drilling, Unitized mechanical seal, EPR/Carbon/Silicon Carbide, 200 PSIG (13.7 BAR) max. suction pressure, 0 to 300°F (-18 to 149°C)
- Optional:** 300 PSIG (20 BAR) max. working pressure, flat face flanges, 250# ANSI flange drilling, balanced mechanical seal, EPR/Graphite loaded Silicon Carbide on Graphite loaded Silicon Carbide, 300 PSIG (20 BAR) max. suction pressure, 0 to 300°F (-18 to 149°C)



JOB:	REPRESENTATIVE:	
UNIT TAG:	ORDER NO.	DATE:
ENGINEER:	SUBMITTED BY:	DATE:
CONTRACTOR:	APPROVED BY:	DATE:



Model VSC

6x8x17 1/2 A

Double Suction Split Case Pump



SPECIFICATIONS

FLOW _____ HEAD _____

HP _____ RPM _____

VOLTS _____

CYCLE _____ PHASE _____

ENCLOSURE _____

APPROX. WEIGHT _____

SPECIALS _____

STANDARD MATERIALS OF CONSTRUCTION

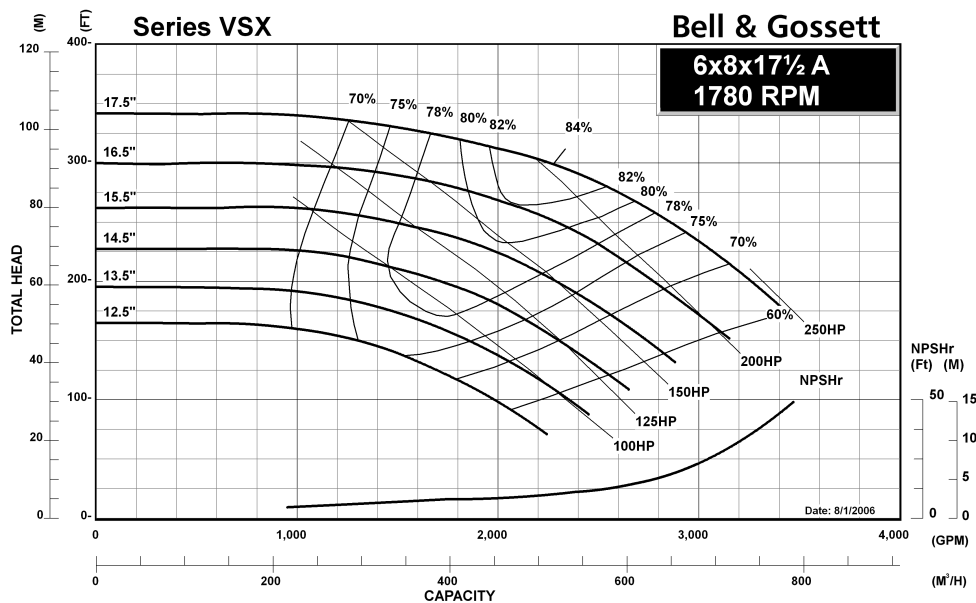
- Cast Iron Bronze Fitted
- Heavy Duty Maintenance Free Bearings
- Alignment Friendly Coupling
- Heavy Duty Groutless Baseplate
- ANSI/OSHA Coupling Guard
- ISO 1940-1:2003 Impeller Balance

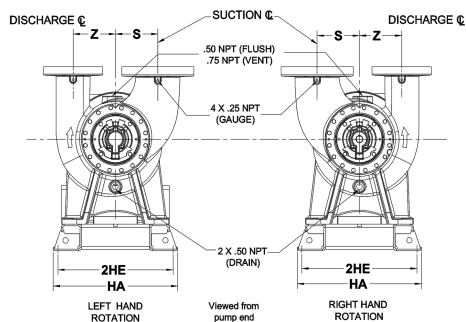
OPTIONAL MATERIALS OF CONSTRUCTION

- Galvanized Drip Pan
- Spacer Coupling

TYPE OF SEAL AND WORKING PRESSURE

- Standard:** 175 PSIG (12 BAR) max. working pressure, flat face flanges, 125# ANSI flange drilling, Unitized mechanical seal, EPR/Carbon/Silicon Carbide, 175 PSIG (12 BAR) max. suction pressure, 0 to 300°F (-18 to 149°C)
- Optional:** 300 PSIG (20 BAR) max. working pressure, flat face flanges, 250# ANSI flange drilling, Unitized mechanical seal, EPR/Carbon/Silicon Carbide, 200 PSIG (13.7 BAR) max. suction pressure, 0 to 300°F (-18 to 149°C)
- Optional:** 300 PSIG (20 BAR) max. working pressure, flat face flanges, 250# ANSI flange drilling, balanced mechanical seal, EPR/Graphite loaded Silicon Carbide on Graphite loaded Silicon Carbide, 300 PSIG (20 BAR) max. suction pressure, 0 to 300°F (-18 to 149°C)





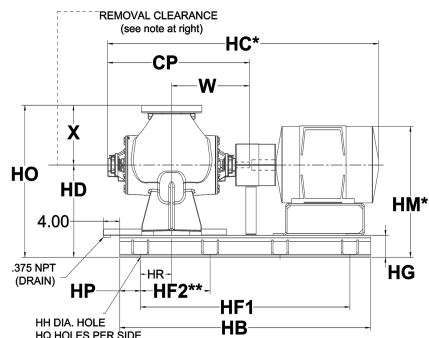
FLANGE DIMENSIONS IN INCHES (MM)			
	SIZE	THICKNESS	O.D.
Discharge	6"	1.63 (41)	12.13 (308)
Suction	8"	1.81 (46)	14.75 (375)

FLANGES ARE 125# ANSI - STANDARD
250# ANSI - AVAILABLE

DIMENSIONS IN INCHES (MM)		
S	X	Z
10.13 (257)	20 (508)	10.3 (262)

Removal clearance from end
of bracket: 24 Inches (610 mm)

STANDARD COUPLER



*Motor dimensions are approximate and vary by manufacturer and motor type.
**Distance to the next available hole.

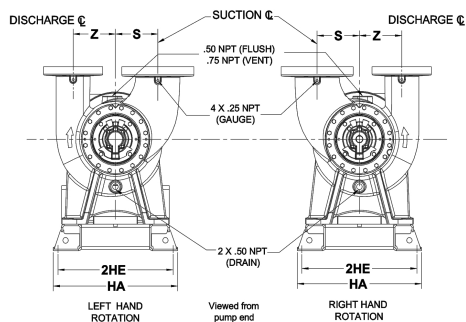
MOTOR FRAME	DIMENSIONS - INCHES (mm) FOR STANDARD COUPLER															
	CP	HA	HB	HC*	HD	2HE	HF ₁	HF ₂ **	HG	HH	HM*	HO	HP	HQ	HR	W
286T/TS	34.14 (867)	31.4 (798)	73 (1854)	62.57 (1589)	27.25 (692)	29.52 (750)	63 (1600)	15.75 (400)	6.25 (159)	0.88 (22)	35.07 (891)	47.25 (1200)	5 (127)	5	9.13 (232)	18.94 (481)
324T/TS	34.14 (867)	31.4 (798)	73 (1854)	65.39 (1661)	27.25 (692)	29.52 (750)	63 (1600)	15.75 (400)	6.25 (159)	0.88 (22)	35.82 (910)	47.25 (1200)	5 (127)	5	9.13 (232)	18.94 (481)
326T/TS	34.14 (867)	31.4 (798)	73 (1854)	66.51 (1689)	27.25 (692)	29.52 (750)	63 (1600)	15.75 (400)	6.25 (159)	0.88 (22)	36.35 (923)	47.25 (1200)	5 (127)	5	9.13 (232)	18.94 (481)
364T/TS	34.14 (867)	31.4 (798)	73 (1854)	68.35 (1736)	27.25 (692)	29.52 (750)	63 (1600)	15.75 (400)	6.25 (159)	0.88 (22)	37.2 (945)	47.25 (1200)	5 (127)	5	9.13 (232)	18.94 (481)
365T/TS	34.14 (867)	31.4 (798)	73 (1854)	68.35 (1736)	27.25 (692)	29.52 (750)	63 (1600)	15.75 (400)	6.25 (159)	0.88 (22)	37.2 (945)	47.25 (1200)	5 (127)	5	9.13 (232)	18.94 (481)
404T/TS	34.14 (867)	31.4 (798)	73 (1854)	71.45 (1815)	27.25 (692)	29.52 (750)	63 (1600)	15.75 (400)	6.25 (159)	0.88 (22)	37.72 (958)	47.25 (1200)	5 (127)	5	9.13 (232)	18.94 (481)
405T/TS	34.14 (867)	31.4 (798)	73 (1854)	73.45 (1866)	27.25 (692)	29.52 (750)	63 (1600)	15.75 (400)	6.25 (159)	0.88 (22)	37.72 (958)	47.25 (1200)	5 (127)	5	9.13 (232)	18.94 (481)
444T/TS	34.14 (867)	31.4 (798)	84 (2134)	78.92 (2004)	27.25 (692)	29.52 (750)	74 (1880)	18.50 (470)	6.25 (159)	0.88 (22)	42.77 (1086)	47.25 (1200)	5 (127)	5	9.13 (232)	18.94 (481)
445T/TS	34.14 (867)	31.4 (798)	84 (2134)	80.52 (2045)	27.25 (692)	29.52 (750)	74 (1880)	18.50 (470)	6.25 (159)	0.88 (22)	42.77 (1086)	47.25 (1200)	5 (127)	5	9.13 (232)	18.94 (481)
447T/TS	34.14 (867)	31.4 (798)	84 (2134)	87 (2210)	27.25 (692)	29.52 (750)	74 (1880)	18.50 (470)	6.25 (159)	0.88 (22)	41.13 (1045)	47.25 (1200)	5 (127)	5	9.13 (232)	18.94 (481)
449T/TS	34.14 (867)	31.4 (798)	84 (2134)	87.7 (2228)	27.25 (692)	29.52 (750)	74 (1880)	18.50 (470)	6.25 (159)	0.88 (22)	41.13 (1045)	47.25 (1200)	5 (127)	5	9.13 (232)	18.94 (481)

Dimensions are subject to change. Not to be used for construction purposes unless certified.

Units may be built where foot/feet overhang the motor mounting platform. If overhang is unacceptable, consult factory for a custom submittal, quotation and/or lead time. A certified motor drawing will be required.

Xylem Inc.
8200 N. Austin Avenue
Morton Grove, IL 60053
Phone: (847)966-3700
Fax: (847)965-8379
www.bellgossett.com





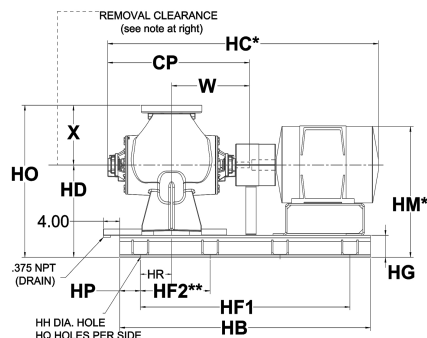
FLANGE DIMENSIONS IN INCHES (MM)			
	SIZE	THICKNESS	O.D.
Discharge	6"	1.63 (41)	12.13 (308)
Suction	8"	1.81 (46)	14.75 (375)

FLANGES ARE 125# ANSI - STANDARD
250# ANSI - AVAILABLE

DIMENSIONS IN INCHES (MM)		
S	X	Z
10.13 (257)	20 (508)	10.3 (262)

Removal clearance from end of bracket: 24 Inches (610 mm)

SPACER COUPLER



*Motor dimensions are approximate and vary by manufacturer and motor type.
**Distance to the next available hole.

MOTOR FRAME	DIMENSIONS - INCHES (mm) FOR SPACER COUPLER															
	CP	HA	HB	HC*	HD	2HE	HF ₁	HF ₂ **	HG	HH	HM*	HO	HP	HQ	HR	W
286T/TS	34.14 (867)	31.4 (798)	73 (1854)	71.82 (1824)	27.25 (692)	29.52 (750)	63 (1600)	15.75 (400)	6.25 (159)	0.88 (22)	35.07 (891)	47.25 (1200)	5 (127)	5	9.13 (232)	18.94 (481)
324T/TS	34.14 (867)	31.4 (798)	84 (2134)	74.64 (1896)	27.25 (692)	29.52 (750)	74 (1880)	18.50 (470)	6.25 (159)	0.88 (22)	35.82 (910)	47.25 (1200)	5 (127)	5	9.13 (232)	18.94 (481)
326T/TS	34.14 (867)	31.4 (798)	84 (2134)	75.76 (1924)	27.25 (692)	29.52 (750)	74 (1880)	18.50 (470)	6.25 (159)	0.88 (22)	36.35 (923)	47.25 (1200)	5 (127)	5	9.13 (232)	18.94 (481)
364T/TS	34.14 (867)	31.4 (798)	84 (2134)	77.60 (1971)	27.25 (692)	29.52 (750)	74 (1880)	18.50 (470)	6.25 (159)	0.88 (22)	37.2 (945)	47.25 (1200)	5 (127)	5	9.13 (232)	18.94 (481)
365T/TS	34.14 (867)	31.4 (798)	84 (2134)	77.60 (1971)	27.25 (692)	29.52 (750)	74 (1880)	18.50 (470)	6.25 (159)	0.88 (22)	37.2 (945)	47.25 (1200)	5 (127)	5	9.13 (232)	18.94 (481)
404T/TS	34.14 (867)	31.4 (798)	84 (2134)	80.2 (2037)	27.25 (692)	29.52 (750)	74 (1880)	18.50 (470)	6.25 (159)	0.88 (22)	37.72 (958)	47.25 (1200)	5 (127)	5	9.13 (232)	18.94 (481)
405T/TS	34.14 (867)	31.4 (798)	84 (2134)	82.2 (2088)	27.25 (692)	29.52 (750)	74 (1880)	18.50 (470)	6.25 (159)	0.88 (22)	37.72 (958)	47.25 (1200)	5 (127)	5	9.13 (232)	18.94 (481)
444T/TS	34.14 (867)	31.4 (798)	94 (2388)	87.67 (2227)	27.25 (692)	29.52 (750)	84 (2134)	16.80 (427)	6.25 (159)	0.88 (22)	42.77 (1086)	47.25 (1200)	5 (127)	6	9.13 (232)	18.94 (481)
445T/TS	34.14 (867)	31.4 (798)	94 (2388)	89.27 (2267)	27.25 (692)	29.52 (750)	84 (2134)	16.80 (427)	6.25 (159)	0.88 (22)	42.77 (1086)	47.25 (1200)	5 (127)	6	9.13 (232)	18.94 (481)
447T/TS	34.14 (867)	31.4 (798)	94 (2388)	95.75 (2432)	27.25 (692)	29.52 (750)	84 (2134)	16.80 (427)	6.25 (159)	0.88 (22)	41.13 (1045)	47.25 (1200)	5 (127)	6	9.13 (232)	18.94 (481)
449T/TS	34.14 (867)	31.4 (798)	94 (2388)	96.45 (2450)	27.25 (692)	29.52 (750)	84 (2134)	16.80 (427)	6.25 (159)	0.88 (22)	41.13 (1045)	47.25 (1200)	5 (127)	6	9.13 (232)	18.94 (481)

Dimensions are subject to change. Not to be used for construction purposes unless certified.

Units may be built where foot/feet overhang the motor mounting platform. If overhang is unacceptable, consult factory for a custom submittal, quotation and/or lead time. A certified motor drawing will be required.

These dimensions are valid when using the Woods Duraflex spacer coupling option. For dimensions on Falk SteelFlex coupling options, consult factory for a special submittal drawing.

