



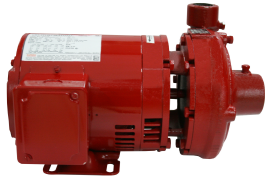
JOB:

REPRESENTATIVE:

UNIT TAG:  
ENGINEER:  
CONTRACTOR:

ORDER NO.  
SUBMITTED BY:  
APPROVED BY:

DATE:  
DATE:  
DATE:



**Series e-1535**  
**1.25AAC**  
Close Coupled Small End Suction Pump

**DESCRIPTION:**

Close coupled industrial pump designed for heavy duty requirements in cooling tower, refrigeration, industrial and general service applications

**SPECIFICATIONS**

FLOW \_\_\_\_\_ HEAD \_\_\_\_\_  
HP \_\_\_\_\_ RPM \_\_\_\_\_  
VOLTS \_\_\_\_\_  
CYCLE \_\_\_\_\_ PHASE \_\_\_\_\_  
ENCLOSURE \_\_\_\_\_  
APPROX. WEIGHT \_\_\_\_\_  
SPECIALS \_\_\_\_\_

**MATERIALS OF CONSTRUCTION**

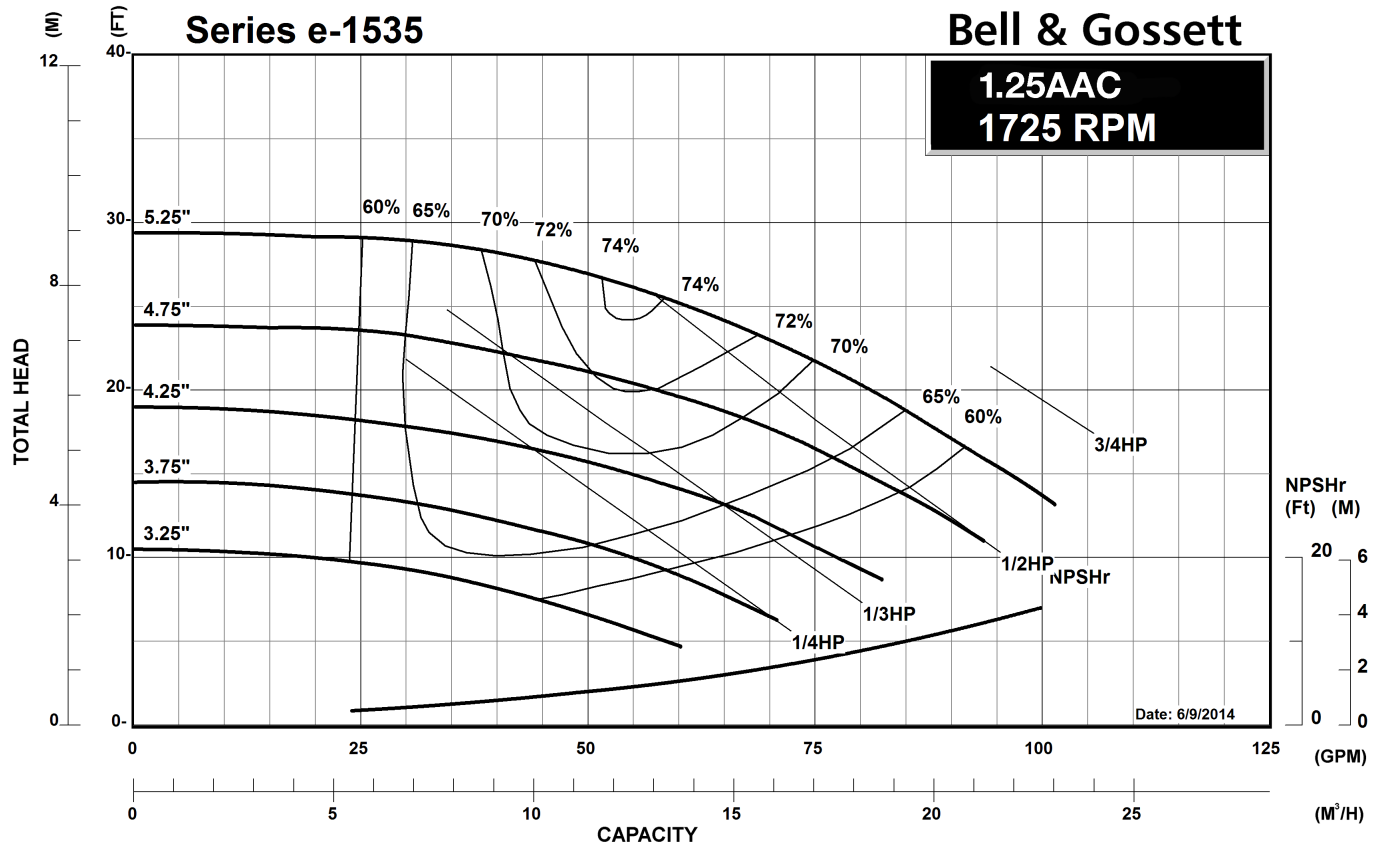
- BRONZE FITTED
- ALL BRONZE

**MAXIMUM WORKING PRESSURE**

- 175 psi (12 bar) W.P.

**TYPE OF SEAL**

- Standard Seal  
EPR/Carbon/Silicon Carbide  
-10 to 250°F (-23 to 121°C)
- Optional Seal  
Viton/Carbon/Silicon Carbide  
-10 to 225°F (-23 to 107°C)
- Optional Seal  
EPR/Graphite loaded Silicon Carbide on  
Graphite loaded Silicon Carbide  
-10 to 250°F (-23 to 121°C)





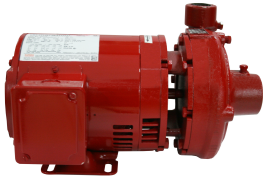
JOB:

REPRESENTATIVE:

UNIT TAG:  
ENGINEER:  
CONTRACTOR:

ORDER NO.  
SUBMITTED BY:  
APPROVED BY:

DATE:  
DATE:  
DATE:



**Series e-1535**  
**1.25AAC**  
Close Coupled Small End Suction Pump

**DESCRIPTION:**

Close coupled industrial pump designed for heavy duty requirements in cooling tower, refrigeration, industrial and general service applications

**SPECIFICATIONS**

FLOW \_\_\_\_\_ HEAD \_\_\_\_\_  
 HP \_\_\_\_\_ RPM \_\_\_\_\_  
 VOLTS \_\_\_\_\_  
 CYCLE \_\_\_\_\_ PHASE \_\_\_\_\_  
 ENCLOSURE \_\_\_\_\_  
 APPROX. WEIGHT \_\_\_\_\_  
 SPECIALS \_\_\_\_\_

**MATERIALS OF CONSTRUCTION**

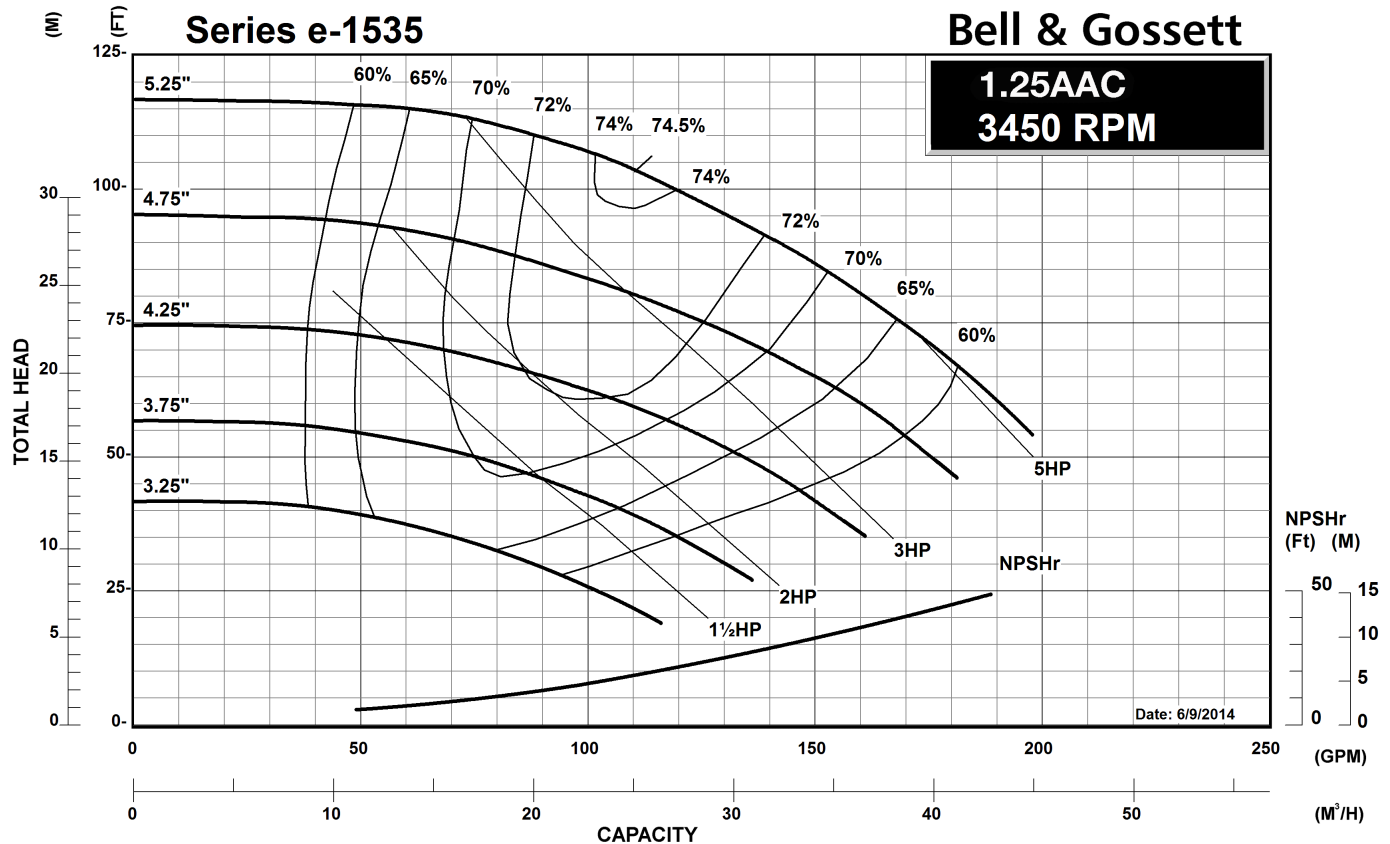
- BRONZE FITTED
- ALL BRONZE

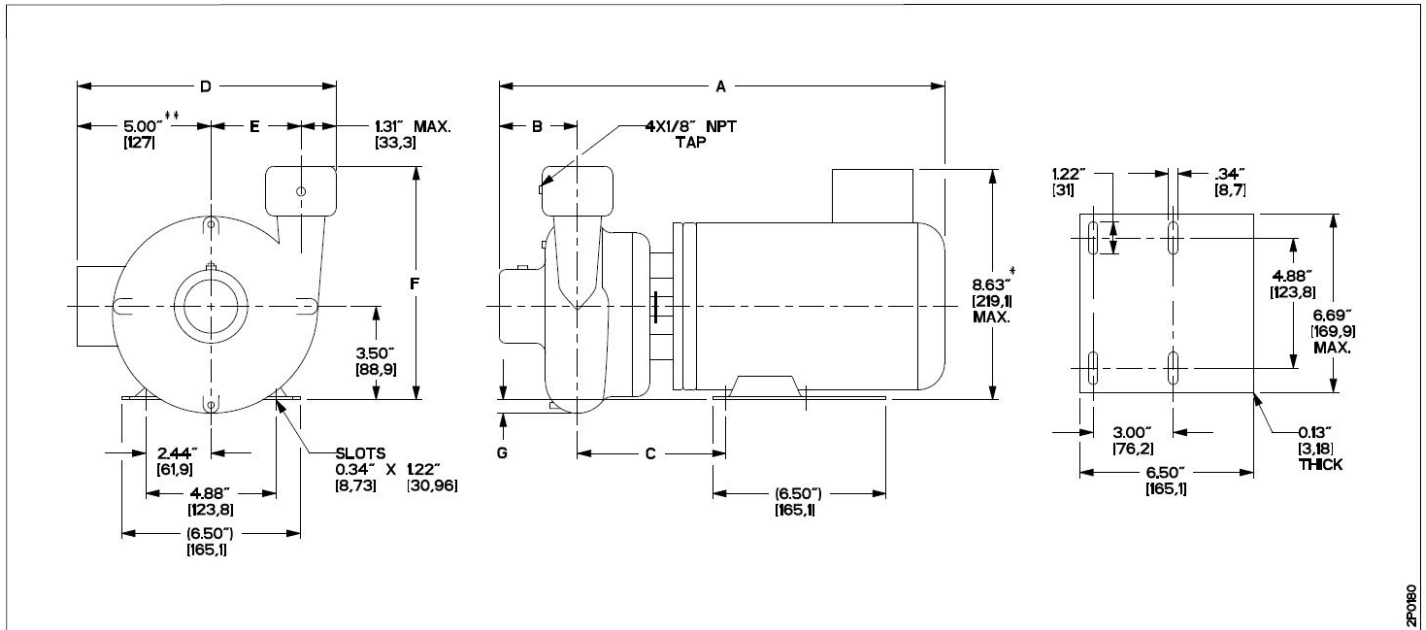
**MAXIMUM WORKING PRESSURE**

- 175 psi (12 bar) W.P.

**TYPE OF SEAL**

- Standard Seal  
EPR/Carbon/Silicon Carbide  
-10 to 250°F (-23 to 121°C)
- Optional Seal  
Viton/Carbon/Silicon Carbide  
-10 to 225°F (-23 to 107°C)
- Optional Seal  
EPR/Graphite loaded Silicon Carbide on  
Graphite loaded Silicon Carbide  
-10 to 250°F (-23 to 121°C)





MOTOR DIMENSIONS IN INCHES (MM)

Motor HP			Dimensions in Inches (mm)								
1725	3450	PHASE	Suction	Discharge	A(max)	B	C	D	E	F	G
1/4	-	1	1-1/2	1-1/4	14.75 (375)	3.06 (78)	5.42 (138)	8.12 (206)	3.31 (84)	7.875 (200)	0.35 (9)
1/3	-	1	1-1/2	1-1/4	14 (356)	3.06 (78)	5.42 (138)	8.12 (206)	3.31 (84)	7.875 (200)	0.35 (9)
1/2	-	1	1-1/2	1-1/4	14.25 (362)	3.06 (78)	5.42 (138)	8.12 (206)	3.31 (84)	7.875 (200)	0.35 (9)
1/2	-	3	1-1/2	1-1/4	15.31 (389)	3.06 (78)	5.42 (138)	8.12 (206)	3.31 (84)	7.875 (200)	0.35 (9)
3/4	-	1	1-1/2	1-1/4	14.69 (373)	3.06 (78)	5.42 (138)	8.12 (206)	3.31 (84)	7.875 (200)	0.35 (9)
3/4	-	3	1-1/2	1-1/4	15.81 (402)	3.06 (78)	5.42 (138)	8.12 (206)	3.31 (84)	7.875 (200)	0.35 (9)
-	1-1/2	1	1-1/2	1-1/4	16.25 (413)	3.06 (78)	5.42 (138)	8.12 (206)	3.31 (84)	7.875 (200)	0.35 (9)
-	1-1/2	3	1-1/2	1-1/4	15.75 (400)	3.06 (78)	5.42 (138)	8.12 (206)	3.31 (84)	7.875 (200)	0.35 (9)
-	2	1	1-1/2	1-1/4	16.25 (413)	3.06 (78)	5.42 (138)	8.12 (206)	3.31 (84)	7.875 (200)	0.35 (9)
-	2	3	1-1/2	1-1/4	16.25 (413)	3.06 (78)	5.42 (138)	8.12 (206)	3.31 (84)	7.875 (200)	0.35 (9)
-	3	1	1-1/2	1-1/4	16.75 (425)	3.06 (78)	5.42 (138)	8.12 (206)	3.31 (84)	7.875 (200)	0.35 (9)
-	3	3	1-1/2	1-1/4	17.25 (438)	3.06 (78)	5.42 (138)	8.12 (206)	3.31 (84)	7.875 (200)	0.35 (9)
-	5	3	1-1/2	1-1/4	20.31 (516)	3.06 (78)	5.42 (138)	8.12 (206)	3.31 (84)	7.875 (200)	0.35 (9)

Dimensions are subject to change. Not to be used for construction purposes unless certified.

\* Single Phase Motor 8.6" Max

\*\* TEFC Motor have Conduit Box 5" Max.



Xylem Inc.  
 8200 N. Austin Avenue, Morton Grove, IL 60053  
 Phone: (847)966-3700 Fax: (847)965-8379  
 www.bellgossett.com  
 Bell & Gossett is a trademark of Xylem Inc. or one of its subsidiaries.  
 © 2017 Xylem Inc.