

JOB:
REPRESENTATIVE:

UNIT TAG:

ORDER NUMBER:

DATE:

ENGINEER:

SUBMITTED BY:

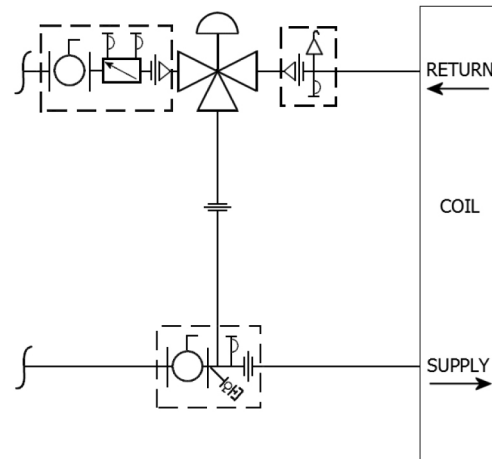
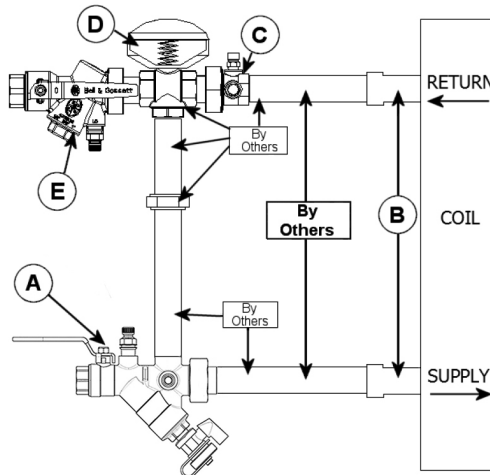
DATE:

CONTRACTOR:

APPROVED BY:

DATE:

AC3Y VALVE KIT


DESCRIPTION

The Bell & Gossett AC3Y Valve Kit is a packaged and partially pre-assembled collection of common components required for commissioning a terminal unit. Temperature control valves, piping and coils are not supplied by B&G.

The AC3Y Kit consists of:

| Balloon | Part Number | Inlet Connection | Outlet Connection | Description |
|---------|-------------|------------------|-------------------|---|
| A | | | | Model UBY - Combination Wye Strainer and Shut Off Valve with one Pressure / Temperature Port, Drain Valve, Tailpiece and Union End. |
| B | | | | Connection Size for Coil/Terminal |
| C | | | | Model UA - Union Accessory with one Pressure / Temperature Port, Manual Air Vent, Tailpiece and Union End. |
| D | | | | Connection Size for Two-Way Temperature Control Valve (by others) |
| E | | | | Model AC - Circuit Sentry™ - Automatic Flow Limiting, Commissioning and Shut Off Valve with two Pressure / Temperature Ports, Tailpiece and Union End. |