

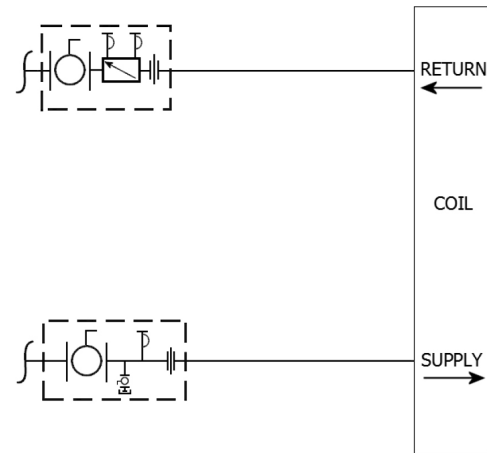
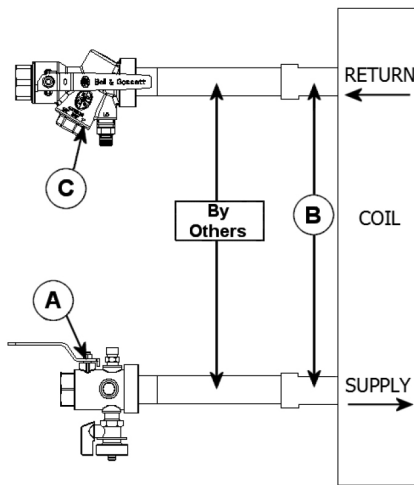
JOB:
REPRESENTATIVE:

 UNIT TAG:
 ENGINEER:
 CONTRACTOR:

 ORDER NUMBER:
 SUBMITTED BY:
 APPROVED BY:

 DATE:
 DATE:
 DATE:

ACB VALVE KIT


DESCRIPTION

The Bell & Gossett ACB Valve Kit is a packaged and partially pre-assembled collection of common components required for commissioning a terminal unit. Temperature control valves, piping and coils are not supplied by B&G.

The ACB Kit consists of:

Balloon	Part Number	Inlet Connection	Outlet Connection	Description
A				Model UBV - Combination Shut Off Valve and Union End with one Pressure / Temperature Port, Drain Valve, and Tailpiece.
B				Connection Size for Coil/Terminal
C				Model AC - Circuit Sentry™ - Automatic Flow Limiting, Commissioning and Shut Off Valve with two Pressure / Temperature Ports, Tailpiece and Union End.