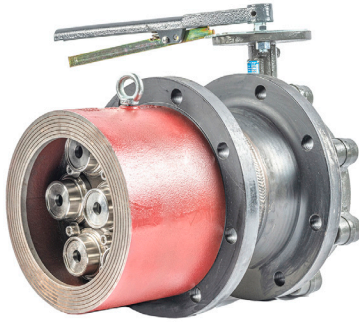


JOB:
REPRESENTATIVE:

 UNIT TAG:
 ENGINEER:
 CONTRACTOR:

 ORDER NUMBER:
 SUBMITTED BY:
 APPROVED BY:

 DATE:
 DATE:
 DATE:


Model WVB

Combination Wafer with Butterfly Valve

CONSTRUCTION
Wafer Valve

Body: Ductile iron
 DIN 1693-CGG-40
O-Ring: EPDM
Diaphragm: Reinforced EPDM
Spring: Stainless Steel

Butterfly Valve

Body: Nodular Cast Steel
ASTM: A536 65-45-12
Stem: Stainless Steel
Disc: Aluminum/Bronze
Liner: EPDM

Spool Piece

Body: Cast Iron
Gasket: Non-Asbestos

MAXIMUM WORKING PRESSURE

150 psig (1,034 kPa)

TEMPERATURE RANGE

-4°F (-20°C) to 212°F (100°C)

CONTROL RANGE

Min: Varies on valve size and flow.
 See submittal A-606.22.
 Max: 60 psi (414 kPa)

Accuracy

+/-5%

MINIMUM FLOW

15 gpm (0.95L/s)

MAXIMUM FLOW

2,700 gpm (170.3L/s)

+Suitable For Dead-End Service

Note: Wafer Valves are not intended for use in open systems

DESCRIPTION

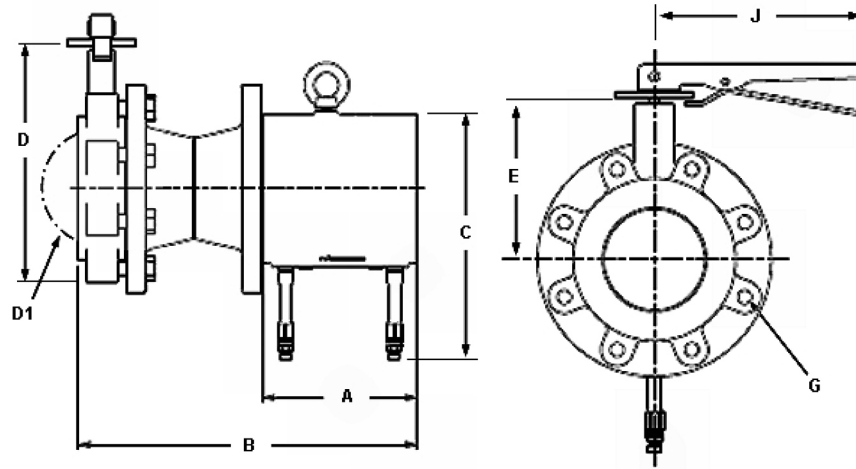
The Bell & Gossett Model WVB is a combination Wafer Valve and Butterfly Valve. The Wafer valve is an automatic flow limiting and commissioning valve for use in closed HVAC systems. The Butterfly Valve+ is a steel throttling and shut off valve. Model WVB Wafer with Butterfly Valves are furnished with flow cartridges, two 4" pressure/temperature ports, and an ID tag for commissioning. A lifting lug is provided on valve sizes 4" thru 20". Also includes hex rods and nuts required to connect to 125# or 150# ANSI flanges.

SCHEDULE

MODEL NUMBER	TAGGING INFORMATION	QUANTITY
WVB-2-1/2		
WVB-3		
WVB-4		
WVB-5		
WVB-6		
WVB-8		
WVB-10		
WVB-12		

Note: 4" thru 12" models include accessory spool piece and gasket between the Wafer Valve and Butterfly Valve, as well as cap screws to connect the spool piece to the Butterfly Valve.

DIMENSIONS



Size (mm)	Model No.	DIMENSIONS* IN INCHES (mm)								Maximum Number of Cartridges per Valve	Maximum Flow GPM (L/s)	Approx. Wt.w/ Max Cartridges lbs.(kg)
		A**	B	C	D	D1	E	G	J			
2-1/2" (63.5)	WVB-2-1/2	6.7 (170)	8.5 (216)	9.3 (237)	10.4 (264)	2.5 (64)	6.9 (175)	5/8"	10.5 (267)	1	180 (11.4)	23 (10)
3" (76.2)	WVB-3	6.7 (170)	8.5 (216)	9.8 (249)	10.9 (277)	3.1 (79)	7.1 (180)	5/8"	10.5 (267)	1	180 (11.4)	26 (12)
4" (101.6)	WVB-4	6.7 (170)	15.0 (380)	11.1 (281)	12.4 (315)	4.0 (102)	7.9 (201)	5/8"	10.5 (267)	2	360 (22.7)	71 (32)
5" (127.0)	WVB-5	6.7 (170)	16.0 (406)	12.2 (311)	13.4 (340)	4.8 (122)	8.4 (213)	3/4"	10.5 (267)	3	540 (34.1)	91 (41)
6" (152.4)	WVB-6	6.7 (170)	16.1 (410)	13.1 (334)	14.4 (366)	6.1 (155)	8.9 (226)	3/4"	10.5 (267)	4	720 (45.4)	106 (48)
8" (203.2)	WVB-8	6.7 (170)	17.4 (441)	15.3 (389)	17.1 (434)	8.0 (203)	10.2 (259)	3/4"	***	7	1,260 (79.5)	174 (79)
10" (254.0)	WVB-10	6.7 (170)	17.6 (446)	17.3 (440)	19.5 (495)	9.8 (249)	11.5 (292)	7/8"	***	12	2,160 (136.3)	233 (106)
12" (304.8)	WVB-12	6.7 (170)	19.0 (481)	19.7 (501)	22.8 (579)	12.2 (310)	13.3 (338)	7/8"	***	15	2,700 (170.3)	340 (154)

*All dimensions +/- 0.25 (6.4 mm) tolerance. Dimensions are subject to change. Not to be used for construction purposes unless certified.

**Dimension A is for Model WV Wafer valve (without Butterfly Valve or spool piece).

***Denotes gear operated valve.



Xylem Inc.
 8200 N. Austin Avenue
 Morton Grove, IL 60053
 Tel: (847) 966-3700 Fax: (847) 965-8379
 www.xylem.com/bellgossett