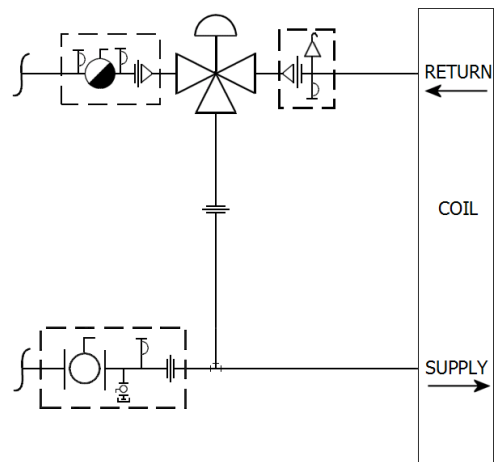
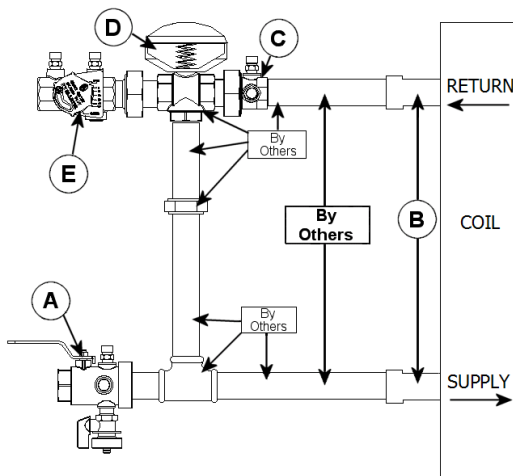


Circuit Setter® Plus MC3B Valve Kit

Job	Representative	
Unit tag	Order number	Date
Engineer	Submitted by	Date
Contractor	Approved by	Date



Description

The Bell & Gossett MC3B Valve Kit is a packaged and partially pre-assembled collection of common components required for commissioning a terminal unit. Temperature control valves, piping and coils are not supplied by Bell & Gossett.

The MC3B Kit consists of:

Balloon	Part number	Inlet connection	Outlet connection	Description
A				Model UBV - combination shut off valve and union end with one Pressure / temperature port, drain valve, and tail
B				Connection size for coil/terminal
C				Model UA - union accessory with one pressure / temperature port, manual air vent, tailpiece and union end
D				Connection size for two-way temperature control valve (by others)
E				Model MC - Circuit Setter Plus - calibrated balance, commissioning and shut off valve with two pressure / temperature ports, tailpiece and union end

Xylem
8200 N. Austin Avenue
Morton Grove, IL 60053

Tel +1 847.966.3700
Fax +1 847.965.8379
xylem.com/bellgossett

Learn more
about Circuit
Setter Plus:



This information is subject to revision without notice. Users are responsible for evaluating suitability for specific applications. Xylem makes no implied warranties including without limitation warranties as to fitness for a particular purpose. Xylem makes no representation regarding the completeness or accuracy of this information and is not liable for any direct or indirect damages arising from or relating to this information or its use.

© 2025 Xylem and Bell & Gossett are registered trademarks of Xylem Inc. or one of its subsidiaries. All other trademarks or registered trademarks are the property of their respective owners.