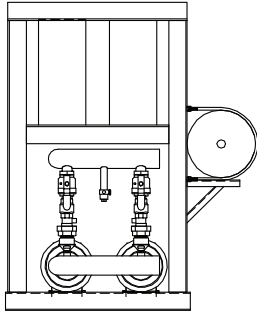
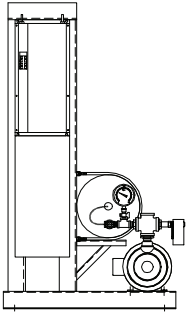


JOB UNIT TAG NO. ENGINEER CONTRACTOR	B & G REPRESENTATIVE ORDER NO. SUBMITTED BY APPROVED BY DATE DATE DATE
---	--



Simplex or Duplex MiniSpeed Variable Speed Pressure Boosters

 Simplex

System Capacity: _____ GPM
 Discharge Pressure: _____ PSIG
 Suction Pressure: _____ PSIG

Pump Data

Gallons Per Minute: _____
 Pump TDH (Feet): _____

Series 3530: 1" x 1 1/4"
 1 1/4" x 1 1/2"

Motor HP: _____ Motor RPM: _____
 Voltage: _____ Hertz: _____ Phase: _____

 Duplex

System Capacity: _____ GPM
 Discharge Pressure: _____ PSIG
 Suction Pressure: _____ PSIG

Pump Data

Gallons Per Minute (Pump 1): _____
 Gallons Per Minute (Pump 2): _____
 Pump(s) TDH (Feet): _____

Series 3530: 1" x 1 1/4" with 2" Copper Headers
 1 1/4" x 1 1/2" with 3" Copper Headers

Motor HP: _____ Motor RPM: _____
 Voltage: _____ Hertz: _____ Phase: _____

Tech 500 Controller & Variable Speed Drive

Standard Features: • Pump Alternation • No Flow Shut Down • Local-Off-Remote Switch • Nema 1 Enclosure
 • Fused Door Interlock Disconnect • Motor Overload Protection • High System Cutout • Low Suction Cutout
 Switch • Pressure Sensor Mounted On Package • Variable Speed Drive

 Manual Bypass on Tech 500 (and drive)

Options – (Ship Loose)
 PRV – 1 1/4" 1 1/2" 2" – NPT or FLNG

 Remote Pressure Sensor – Model____, Qty____

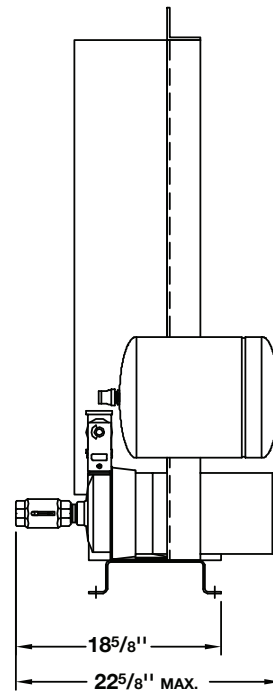
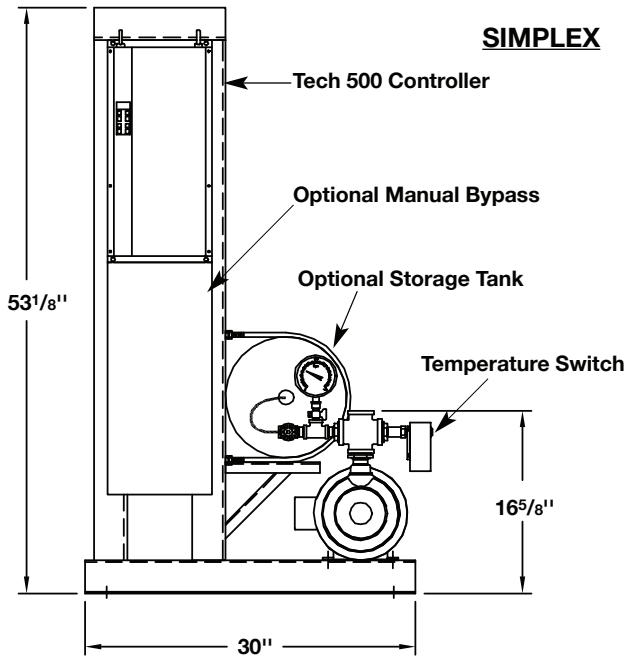
 Flowmeter calibrated for____" pipe

 Storage Tank Volume / Acceptance (gallons)

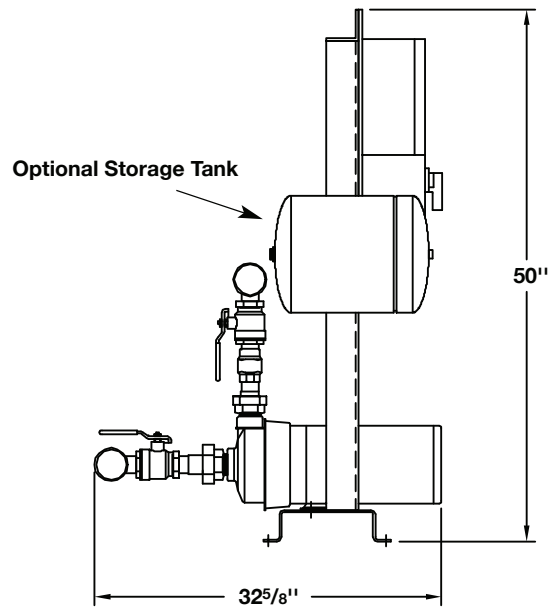
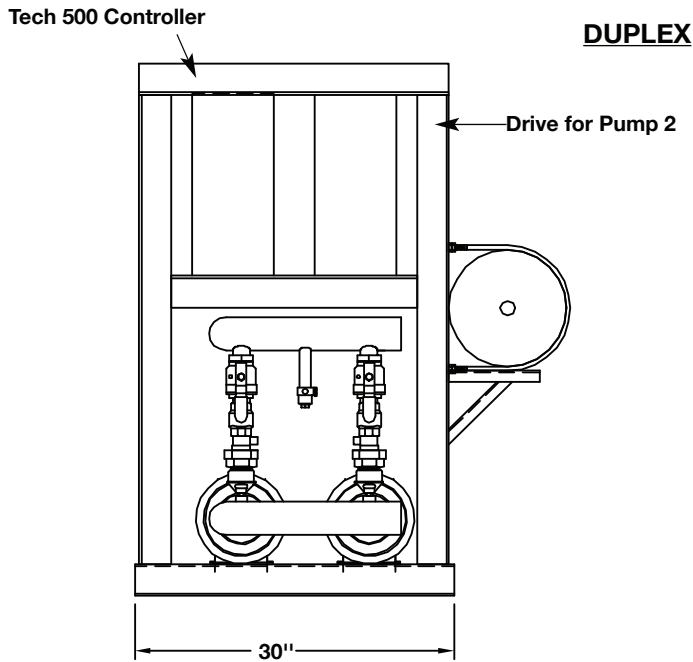
 PT-5 2/.9

 PT-12 4.4/3.2

Dimensions



MAXIMUM WEIGHT 400 LBS.



MAXIMUM WEIGHT 600 LBS.

Bell & Gossett

USA
 Bell & Gossett
 8200 N. Austin Avenue
 Morton Grove, IL 60053
 Phone: (847) 966-3700
 Facsimile: (847) 966-9052
<http://www.bellgossett.com>



INTL.
 Bell & Gossett / Export Dept.
 8200 N. Austin Avenue
 Morton Grove, IL 60053
 Phone: (847) 966-3700
 Facsimile: (847) 966-8366
<http://www.bellgossett.com>

CANADA
 Fluid Products Canada
 55 Royal Road
 Guelph, Ontario,
 N1H 1T1, Canada
 Phone: (519) 821-1900