



# 3886 (WS\_B) Series

## Cast iron sewage pumps

3886 (WS\_B) Series sewage pumps are built with rugged cast iron construction for long-lasting durability. Designed for hassle-free performance, they feature an oil-filled motor dome that ensures superior cooling and reliability. With a 2" NPT discharge and the ability to pass solids up to 2", this "Complete. Reliable. Blue." pump delivers dependable operation for a wide range of residential applications.



### Features

- Cast iron, semi-open, dynamically balanced, non-clogging impeller with pump-out vanes for mechanical seal protection (an optional silicon bronze impeller is available)
- Cast iron volute type casing for maximum efficiency, which is designed for easy installation
- Mechanical seal with silicon carbide vs. silicon carbide sealing faces for superior abrasion resistance, stainless steel parts and BUNA-N elastomers
- Corrosion-resistant, stainless steel shaft with a threaded design for long-lasting performance
- Locknut to guard against component damage on accidental reverse rotation
- 300 series stainless steel fasteners for added durability
- Capable of running dry without damaging the components for reliable performance
- Three (3) year standard warranty/Four (4) year GPDA

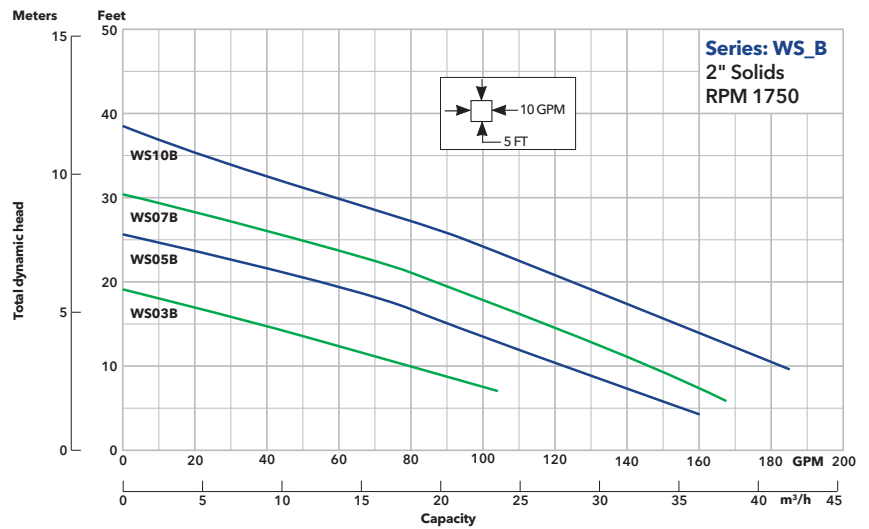
### Applications

- Homes
- Sewage systems
- Dewatering
- Effluent
- Water transfer

## Product specifications

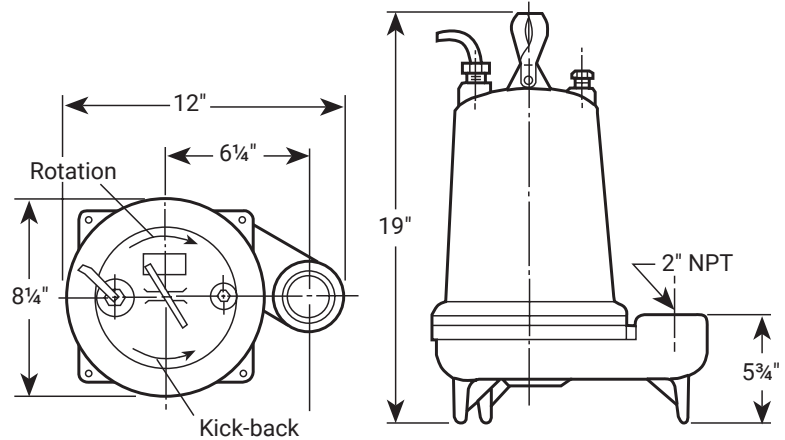
Order number	HP	Phase	Volts	RPM	Maximum amps
WS0311B	0.33	1	115	1750	10.7
WS0318B			208		6.8
WS0312B			230		4.9
WS0511B	0.5	1	115		14.5
WS0518B			208		8.0
WS0512B			230		7.3
WS0538B	0.5	3	200		3.8
WS0532B			230		3.3
WS0534B			460		1.7
WS0537B			575		1.4
WS0718B	0.75	1	208		11.0
WS0712B			230		9.4
WS0738B		3	200		4.1
WS0732B			230		3.6
WS0734B			460		1.8
WS0737B			575		1.5
WS1018B	1	1	208		14.0
WS1012B			230	12.3	
WS1038B		3	200	6.0	
WS1032B			230	5.8	
WS1034B			460	2.9	
WS1037B			575	2.4	

## Performance curves



## Dimensions

(All dimensions are in inches. Do not use for construction purposes.)



## Materials of construction

Part name	Material
Impeller	Cast iron*
Casing & motor dome	Cast iron
Motor adapter	Cast iron
Mechanical seal	Silicon carbide/silicon carbide/buna
Cord	STOW or SJTOW
Fasteners	Stainless steel
Handle	Stainless steel

\* Silicon bronze impeller available as an option.

## Agency listings



Tested to UL778 CAN 22.2 by CSA International (Canadian Standards Association)

**COMPLETE. RELIABLE. BLUE.**  
Learn more about our complete line of wastewater products.



Learn more about 3886 Series pumps



Learn more about "Core 4" control panels



Xylem Inc. [www.xylem.com/goulds](http://www.xylem.com/goulds)

This information is subject to change without notice. All information presented herein is believed reliable and in accordance with accepted engineering practices. Xylem makes no warranties as to the completeness of this information. Users are responsible for evaluating individual product suitability for specific applications. Xylem assumes no liability whatsoever for any special, indirect or consequential damages arising from the sale, resale or misuse of its products.

©2025 Xylem is a registered trademark of Xylem Inc. or one of its subsidiaries. Goulds Water Technology is a registered trademark of ITT Manufacturing Enterprises LLC and is used under license. All other trademarks or registered trademarks are the property of their respective owners.

GWT3886WS-SS-120065 R3 2/2026



**xylem**  
Let's Solve Water