



GFK and GFV Series

SUBMERSIBLE SEWAGE PUMPS

PROVEN PERFORMANCE



The GFK & GFV Series is a range of submersible sewage pumps that are proven to deliver dependable performance.

Based on technology developed and tested in tough environments throughout the world, count on the GFK & GFV Series available through Goulds Water Technology to ensure reliability and reduce downtime in harsh residential, light commercial and industrial wastewater applications.



TOUGH TO BEAT

SELF-CLEANING: The patented design of the self-cleaning K-impeller has been proven to reduce clogging and maintain efficiency when pumping wastewater

SOLIDS HANDLING: The vortex impeller can handle solids up to 2½" in size and resists clogging better than a traditional two-vane impeller

POWERFUL: An efficient air-filled motor provides built-in thermal overload protection allowing the pump to run continuously without overheating

ROBUST: Components are made from robust cast iron for long life and easy maintenance

DURABLE: Heavy-duty long life bearings provide peace of mind

SMOOTH: The double mechanical seal provides extra reliability and protects against leakage

***INSTALLATION OPTIONS:** Pump has built-in dual seal and sensors for high temperature and seal leak detection which accommodate upgraded panel installations

* Upgraded installation for seal leak detection requires MiniCAS module in control panel

TOUGH TO BEAT

GFK Sewage Pump

Motor Class F insulation

Air-filled

Cable Entry

Cable sized for NEC Cable is Subcab. 230V for models >20 HP cable size is certified UL778

Mechanical Seals

Premium upper and lower seals

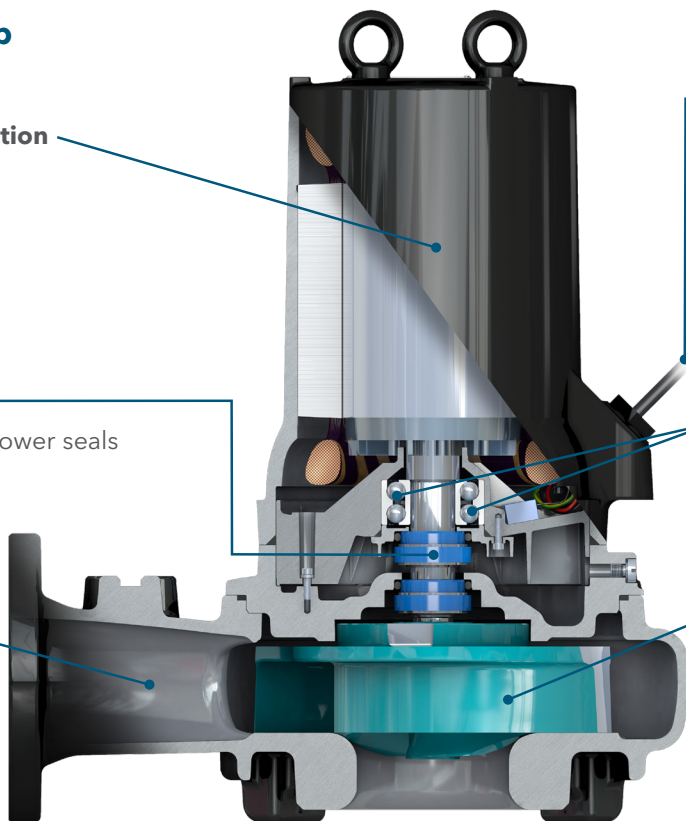
Double Row Bearings

Discharge

ANSI 3" & 4"
2" vertical discharge
NPT

Impeller

Cast iron
Self-cleaning K-impeller



GFV Sewage Pump

Motor Class F insulation

Air-filled

Cable Entry

Subcab cable sized for NEC

Mechanical Seals

Premium upper and lower seals

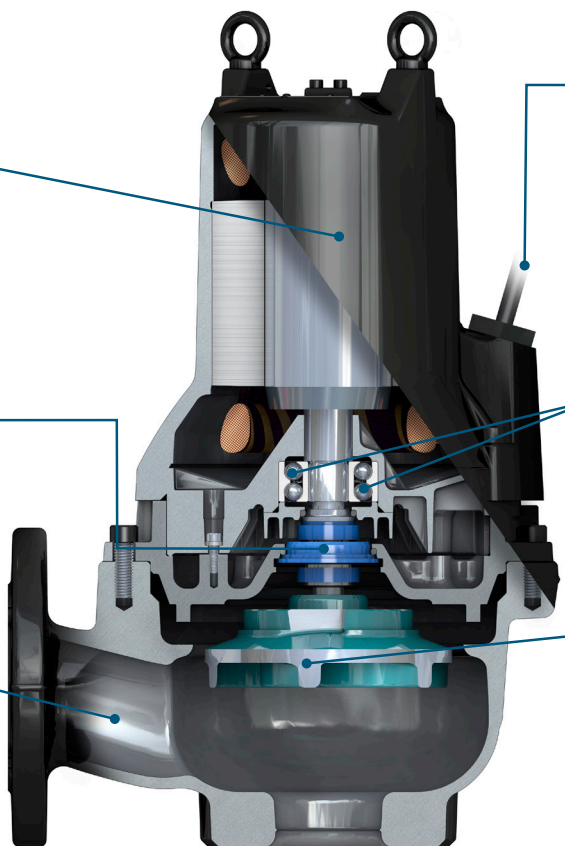
Double Row Bearings

Discharge

ANSI 3"
2" vertical discharge
NPT

Impeller

Cast iron
Vortex impeller



APPLICATIONS:

Used in a variety of residential, light commercial and industrial applications such as:

- Sewage systems
- Flood and pollution control
- Dewatering/effluent
- Farms
- Hospitals
- Trailer courts
- Motels

SPECIFICATIONS:

• Capacities:

2" Series: Up to 290 gpm

3" Series: Up to 560 gpm

4" Series: Up to 1600 gpm

• Total head:

2" Series: Up to 88 feet TDH

3" Series: Up to 157 feet TDH

4" Series: Up to 112 feet TDH

• Horsepower:

2" Series: Up to 3.8 hp

3" Series: Up to 11 hp

4" Series: Up to 20 hp

• Discharge Size:

2" Series: 2" outlet, threaded 2-11 ½ NPT

3" Series: 3" ANSI Flange

4" Series: 4" ANSI Flange

• Insulation: Class F: 310° F (155° C)

• Maximum Fluid Temperature: 104° F (40° C)

• Phase: 3 Phase

• Frequency: 60 Hz

• Impeller:

GFK Series: Self-Cleaning K-Impeller

GFV Series: Vortex impeller

• Motor:

Air-filled 3400 rpm with built-in thermal overload protection (2" & 3" GFK/GFV)

Airfilled 1750 rpm (4" GFK)

• Bearings: Single row ball bearings

• Upper - Lower Seal Configurations:

- Carbon/Aluminum Oxide - SilCar/SilCar

- Carbon/Aluminum Oxide - Aluminum Oxide/
WCCR

- Carbon/WCCR - WCCR/WCCR

(Configurations vary by pump models)

• Cable Length: 50 ft (16 m) power cord

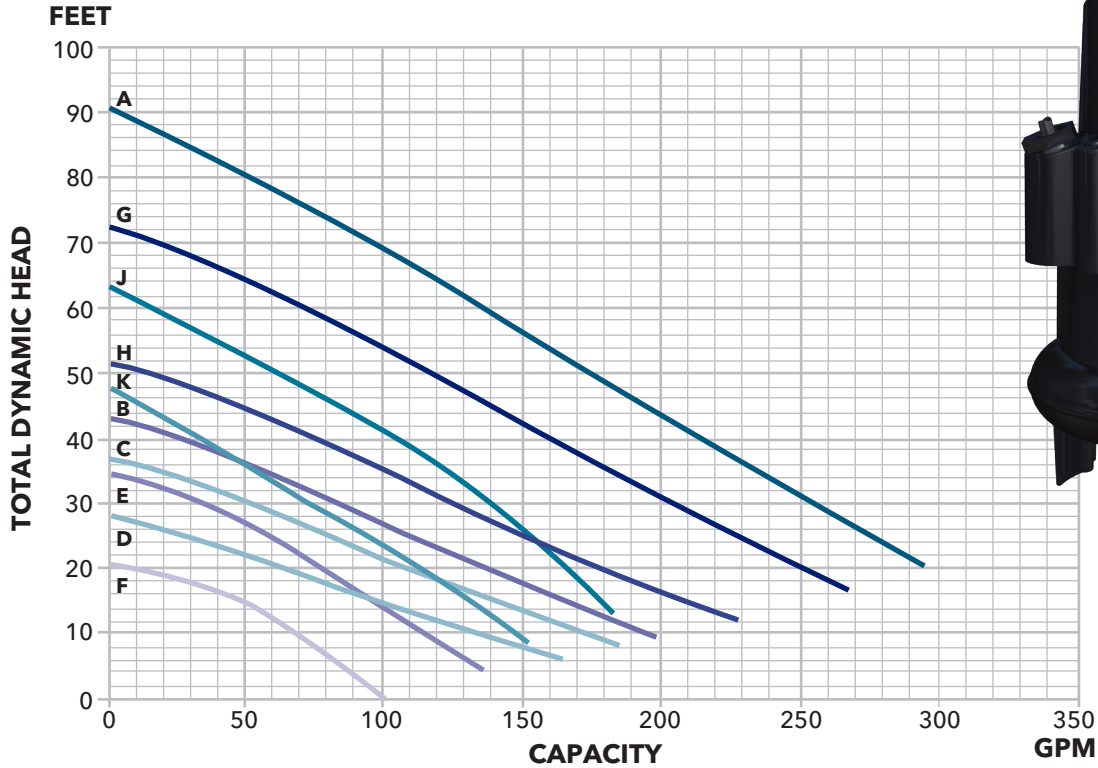


Tested to UL 778 and CSA 22.2 108 standards
by Canadian Standards Association



2" GFK & GFV

PERFORMANCE CURVE



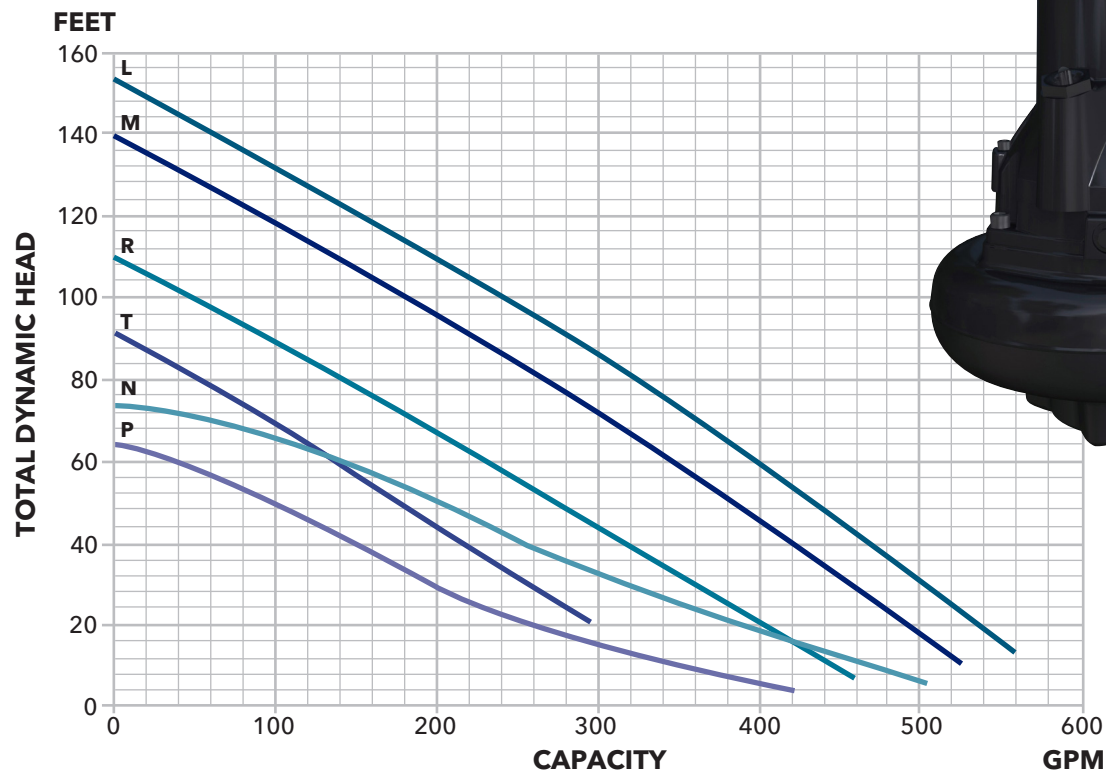
PRODUCT SPECIFICATIONS

GWT Part No.	Impeller Type	Curve ID	Voltage	HP	Rated Current
2GFV1212F	Vortex	F	200	1.2	3.8
2GFV1213F	Vortex	F	230	1.2	4
2GFV1214F	Vortex	F	460	1.2	2
2GFV1712E	Vortex	E	200	1.7	5.1
2GFV1713E	Vortex	E	230	1.7	5
2GFV1714E	Vortex	E	460	1.7	2.5
2GFV3212K	Vortex	K	200	3.2	9.8
2GFV3213K	Vortex	K	230	3.2	8.8
2GFV3214K	Vortex	K	460	3.2	4.4
2GFK1212D	K	D	200	1.2	3.8
2GFK1213D	K	D	230	1.2	4
2GFK1214D	K	D	460	1.2	2
2GFV3812J	Vortex	J	200	3.8	12
2GFV3813J	Vortex	J	230	3.8	10.2
2GFV3814J	Vortex	J	460	3.8	5.1

GWT Part No.	Impeller Type	Curve ID	Voltage	HP	Rated Current
2GFK1712C	K	C	200	1.7	5.1
2GFK1713C	K	C	230	1.7	5
2GFK1714C	K	C	460	1.7	2.5
2GFK1712B	K	B	200	1.7	5.1
2GFK1713B	K	B	230	1.7	5
2GFK1714B	K	B	460	1.7	2.5
2GFK2412H	K	H	200	2.4	7.7
2GFK2413H	K	H	230	2.4	7.2
2GFK2414H	K	H	460	2.4	3.6
2GFK3212G	K	G	200	3.2	9.8
2GFK3213G	K	G	230	3.2	8.8
2GFK3214G	K	G	460	3.2	4.4
2GFK3812A	K	A	200	3.8	12
2GFK3813A	K	A	230	3.8	10.2
2GFK3814A	K	A	460	3.8	5.1

3" GFK & GFV

PERFORMANCE CURVE



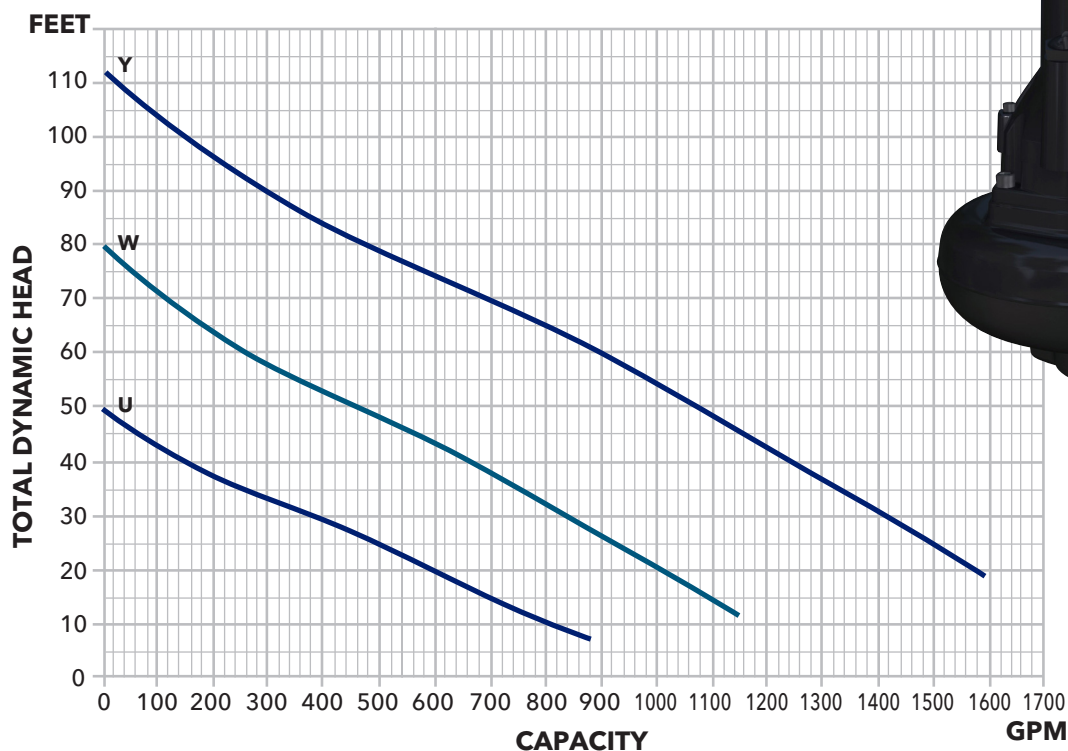
PRODUCT SPECIFICATIONS

GWT Part No.	Impeller Type	Curve ID	Voltage	HP	Rated Current
3GFK3812T	K	T	200	3.8	12
3GFK3813T	K	T	230	3.8	10
3GFK3814T	K	T	460	3.8	4.9
3GFK3815T	K	T	575	3.8	3.8
3GFV6412P	Vortex	P	200	6.4	18
3GFV6413P	Vortex	P	230	6.4	16
3GFV6414P	Vortex	P	460	6.4	7.9
3GFV6415P	Vortex	P	575	6.4	6.3
3GFK6412R	K	R	200	6.4	18
3GFK6413R	K	R	230	6.4	16
3GFK6414R	K	R	460	6.4	7.9
3GFK6415R	K	R	575	6.4	6.3

GWT Part No.	Impeller Type	Curve ID	Voltage	HP	Rated Current
3GFV9512N	Vortex	N	200	9.5	26
3GFV9513N	Vortex	N	230	9.5	23
3GFV9514N	Vortex	N	460	9.5	12
3GFV9515N	Vortex	N	575	9.5	9.9
3GFK9512M	K	M	200	9.5	26
3GFK9513M	K	M	230	9.5	23
3GFK9514M	K	M	460	9.5	12
3GFK9515M	K	L	575	9.5	9.9
3GFK1112L	K	L	200	11	30
3GFK1113L	K	L	230	11	26
3GFK1114L	K	L	460	11	13
3GFK1115L	K	L	575	11	11

4" GFK

PERFORMANCE CURVE



PRODUCT SPECIFICATIONS

GWT Part No.	Impeller Type	Curve ID	Voltage	HP	Rated Current
4GFK5022U	K	U	200	5	16
4GFK5023U		U	230		14
4GFK5024U		U	460		6.9
4GFK5025U		U	575		6
4GFK1022W		W	200	10	31
4GFK1023W		W	230		26
4GFK1024W		W	460		13
4GFK1025W		W	575		11
4GFK2022Y		Y	200	20	59
4GFK2023Y		Y	230		52
4GFK2024Y		Y	460		26
4GFK2025Y		Y	575		21

Xylem |'zīləm|

- 1) The tissue in plants that brings water upward from the roots;
- 2) a leading global water technology company.

We're a global team unified in a common purpose: creating advanced technology solutions to the world's water challenges. Developing new technologies that will improve the way water is used, conserved, and re-used in the future is central to our work. Our products and services move, treat, analyze, monitor and return water to the environment, in public utility, industrial, residential and commercial building services settings. Xylem also provides a leading portfolio of smart metering, network technologies and advanced analytics solutions for water, electric and gas utilities. In more than 150 countries, we have strong, long-standing relationships with customers who know us for our powerful combination of leading product brands and applications expertise with a strong focus on developing comprehensive, sustainable solutions.

For more information on how Xylem can help you, go to www.xylem.com



Xylem Inc.
Phone: (866) 325-4210 • Fax: (888) 322-5877
www.xylem.com/goulds

Goulds is a registered trademark of Goulds Pumps, Inc. and is used under license.
© 2020 Xylem Inc. BRGFKVSR R1 April 2020