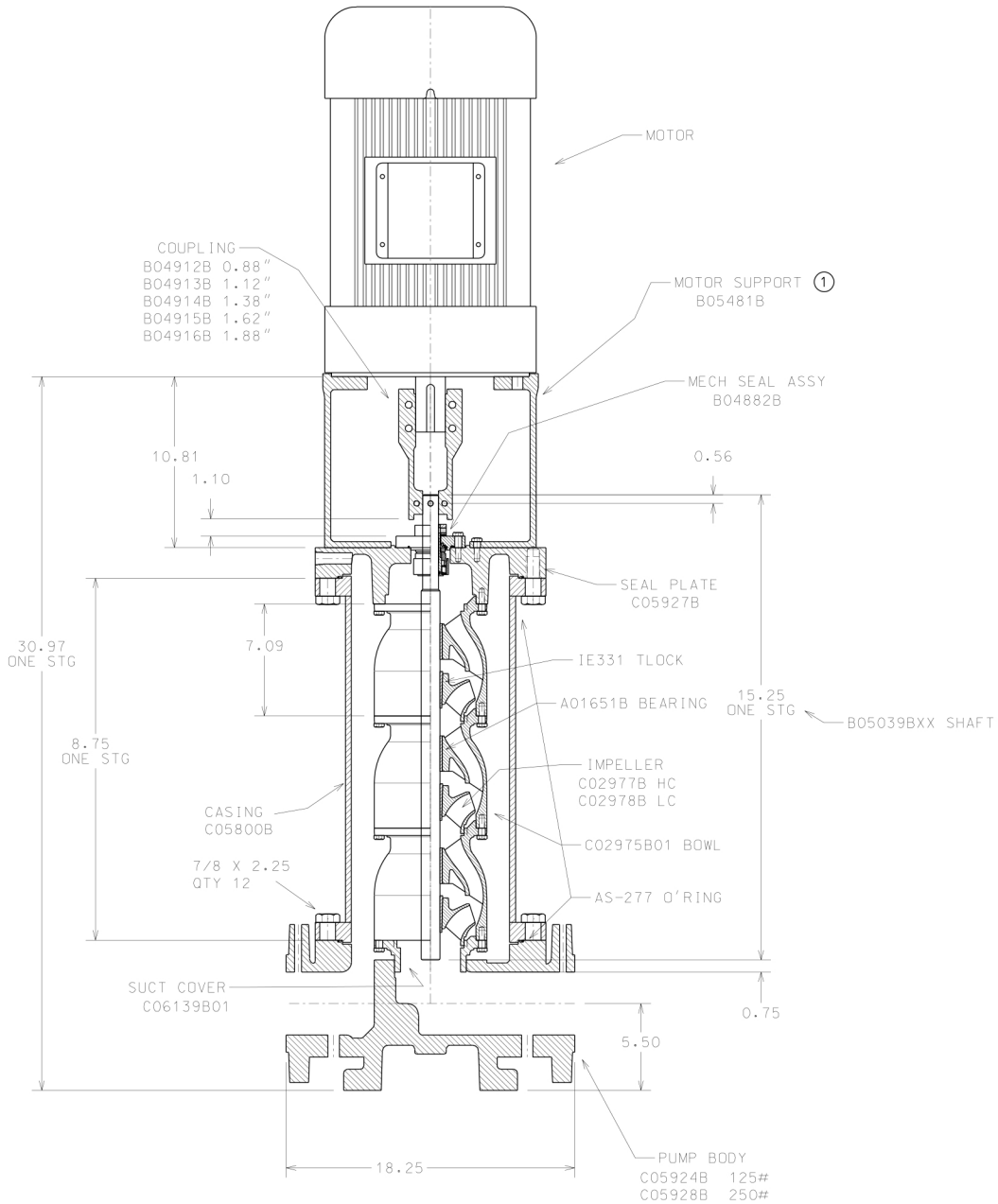


1. ALL DIMENSIONS ARE WITH IMPELLERS RAISED 0.12



REV	ISS	ZONE
01		
MOTOR SUPPORT B05481B HAS BEEN REDRAWN TO ACCEPT 8.5", 10.5", AND 12.5". 11/08 SRG		

NOTE: DO NOT SCALE DIMS  
 TOLERANCE FOR FINISH DIMS  
 NOT OTHERWISE SPECIFIED

INCHES  
 X.X ± 0.060  
 X.XX ± 0.030  
 X.XXX ± 0.010  
 ANGLES ± 1.5°

☐ = DATUM SYMBOL  
 ⊕ = DATUM TARGET  
 ≡ = PROFILE  
 // = PARALLEL  
 ⊥ = PERPENDICULAR  
 ⊕ = TRUE POSITION  
 ⊖ = TIR  
 ⊙ = CONCENTRIC

THIS DRAWING IS THE PROPERTY  
 OF GOULDS WATER TECHNOLOGY,  
 LUBBOCK, TEXAS, USA AND SHALL  
 NOT BE EXCEPT UPON WRITTEN  
 PERMISSION OF GOULDS WATER  
 TECHNOLOGY BE USED FOR ANY  
 PURPOSE EXCEPT THE  
 MANUFACTURE OF ARTICLES FOR  
 GOULDS WATER TECHNOLOGY.  
 DRAWINGS TO BE RETURNED ON  
 REQUEST.

PART	ASSY PUMP SMVT 4" SMS-SM6 7T FLG		NAME	
MODEL	SMVT		D.A.	
DRAWN	LAH	06-SEP-2007	CHECKED	
APPROVED			ORDER	
			THIRD ANGLE PROJECTION	
			FOUNDRY	
GOULDS WATER TECHNOLOGY TEXAS OP			DRAWING NO.	D03732B
			REV.	1
			ISSUE	
PATTERN	MAT'L	WEIGHT-LBS	SCALE	SHEET