



RPFRAFLO

Ag./Irrigation

# Goulds Pumps

Ag-Flo Power Frame  
Repair Parts

*Engineered for life*

# Goulds Pumps

Ag. / Irrigation

## AG-FLO

Power Frame for Mechanical  
Seals and Packed Box Pumps

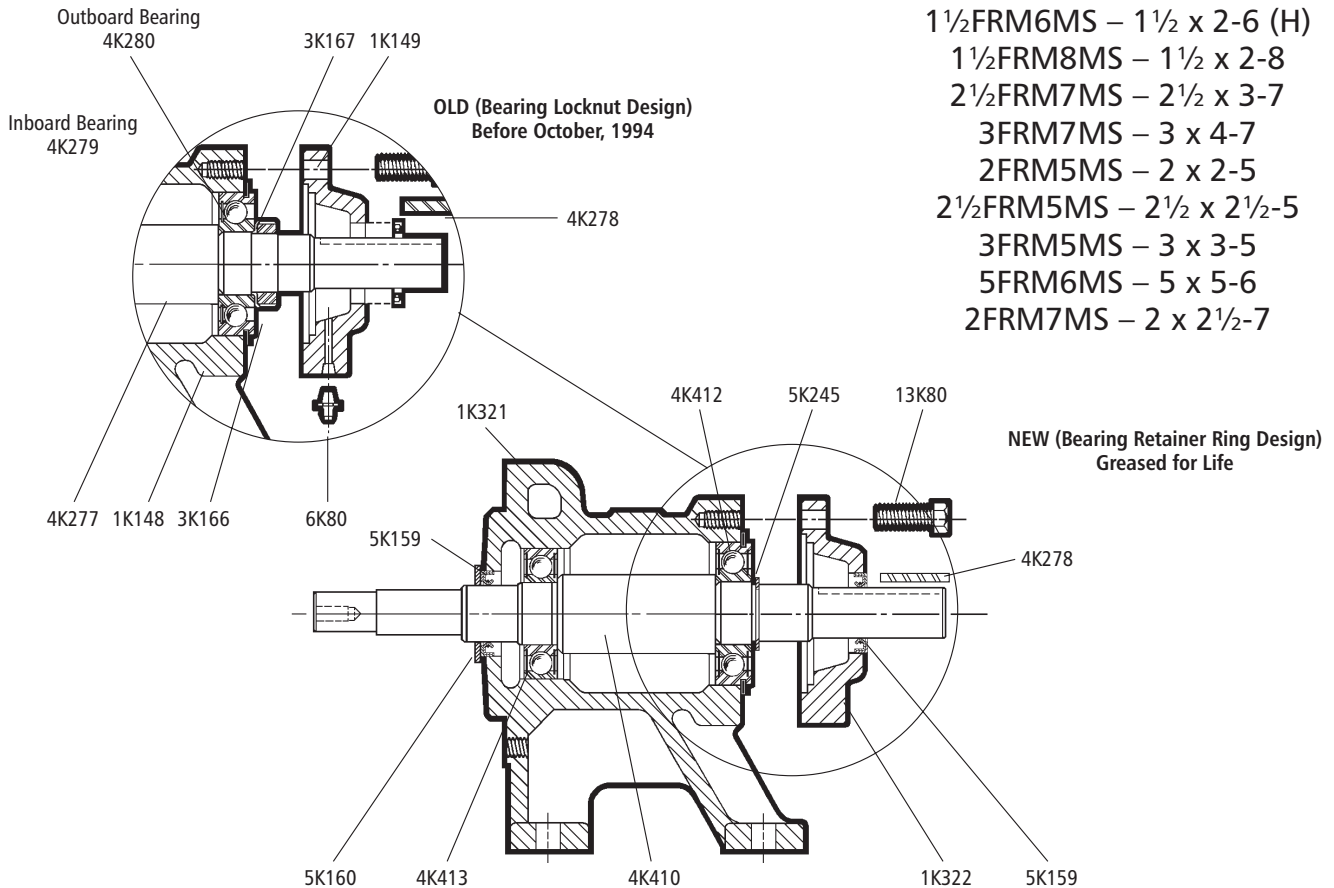
Drive Shaft – 1 1/8" Ø

Impeller Bore – 7/8" Ø

# Repair Parts

## AG-FLO Sizes

- 1FRM7MS – 1 x 2-7
- 1FRM8MS – 1 x 2-8
- 1 1/2FRM6MS – 1 1/2 x 2-6 (H)
- 1 1/2FRM8MS – 1 1/2 x 2-8
- 2 1/2FRM7MS – 2 1/2 x 3-7
- 3FRM7MS – 3 x 4-7
- 2FRM5MS – 2 x 2-5
- 2 1/2FRM5MS – 2 1/2 x 2 1/2-5
- 3FRM5MS – 3 x 3-5
- 5FRM6MS – 5 x 5-6
- 2FRM7MS – 2 x 2 1/2-7



| OLD<br>Regreasable | NEW<br>Grease for life | DESCRIPTION                              | MATERIAL   | PATTERN NO. |
|--------------------|------------------------|--|------------|-------------|
| 1K149              | 1K322                  | Bearing cover                            | Cast iron  | 59027       |
| 4K277              | 4K410                  | Shaft – mechanical seal                  | Steel      |             |
| —                  | 4K465                  | Shaft – packed box                       | Steel      |             |
| 4K278              | 4K278                  | Key – motor end                          | Steel      |             |
| 4K279              | 4K412                  | Inboard bearing                          | Steel      |             |
| 4K280              | 4K413                  | Outboard bearing                         | Steel      |             |
| 5K159              | 5K159                  | Lip seal                                 | BUNA/steel |             |
| 5K160              | 5K160                  | Deflector                                | BUNA-N     |             |
| NA                 | 5K245                  | Retaining ring                           | Steel      |             |
| 6K80               | NA                     | Grease fitting – frame and bearing cover | Steel      |             |
| 13K80              | 13K80                  | Hex head cap screw – bearing cover       | Steel      |             |
| 13K166             | NA                     | Locknut                                  | Steel      |             |
| 13K167             | NA                     | Lockwasher                               | Steel      |             |

To order complete assembly (grease for life only) use part number 14L52 – for mechanical seal and 15K17 for packed box.

For parts pricing and package stock quantities refer to published parts price list using "K" part no. listed above.

Shaft and mounting face duplicates NEMA 184JM dimensions.

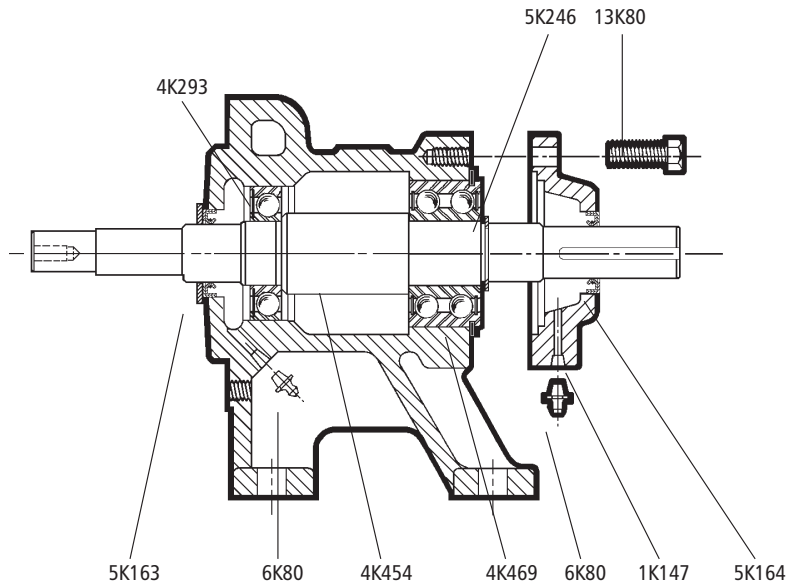
**AG-FLO**

Power Frame for Mechanical  
Seals and Packed Box Pumps  
Drive Shaft – 1 5/8" Ø  
Impeller Bore – 1 5/8" Ø

# Repair Parts

**AG-FLO Sizes**

- 6FRM13MS – 6 x 8-13
- 8FRM13MS – 8 x 10-13
- 4FRM16MS – 4 x 6-16



| PART NO. | DESCRIPTION  | MATERIAL          | PATTERN NO. |
|----------|--|-------------------|-------------|
| 15K7     | Power Frame Complete (Mechanical Seal or Packed Box) |                   |             |
| 1K147    | Bearing cover  | Cast iron         | 59056       |
| 4K454    | Shaft  | Steel             |             |
| 4K292    | Shaft key – motor end (not shown)                    | Steel             |             |
| 4K293    | Ball bearing – inboard                               | Steel             |             |
| 4K469    | Ball bearing – outboard                              | Steel             |             |
| 5K163    | Deflector  | BUNA-N            |             |
| 5K164    | Lip seal – outboard                                  | BUNA/Steel        |             |
| 5K280    | Lip seal – inboard                                   | BUNA/Steel        |             |
| 5K246    | Retaining ring                                       | Steel             |             |
| 6K80     | Grease fitting – frame and bearing cover             | Zinc-Plated Steel |             |
| 13K80    | Hex head cap screw – bearing cover                   | Zinc-Plated Steel |             |

For parts pricing and package stock quantities refer to published parts price list using "K" part no. listed above.

# Goulds Pumps

Ag. / Irrigation

## AG-FLO

Power Frame for Mechanical  
Seals and Packed Box Pumps

Drive Shaft – 1 5/8" Ø

Impeller Bore – 1 1/4" Ø

# Repair Parts

## AG-FLO Sizes

2 1/2FRM8MS – 2 1/2 x 3-8

3FRM8MS – 3 x 4-8

4FRM8MS – 4 x 5-8

1 1/2FRM10MS – 1 1/2 x 2-10

2 1/2FRM10MS – 2 1/2 x 3-10

3FRM10MS – 3 x 4-10

2 1/2FRM10MS – 2 1/2 x 3-10

4FRM10MS – 4 x 6-10

2 1/2FRM13MS – 2 1/2 x 3-13

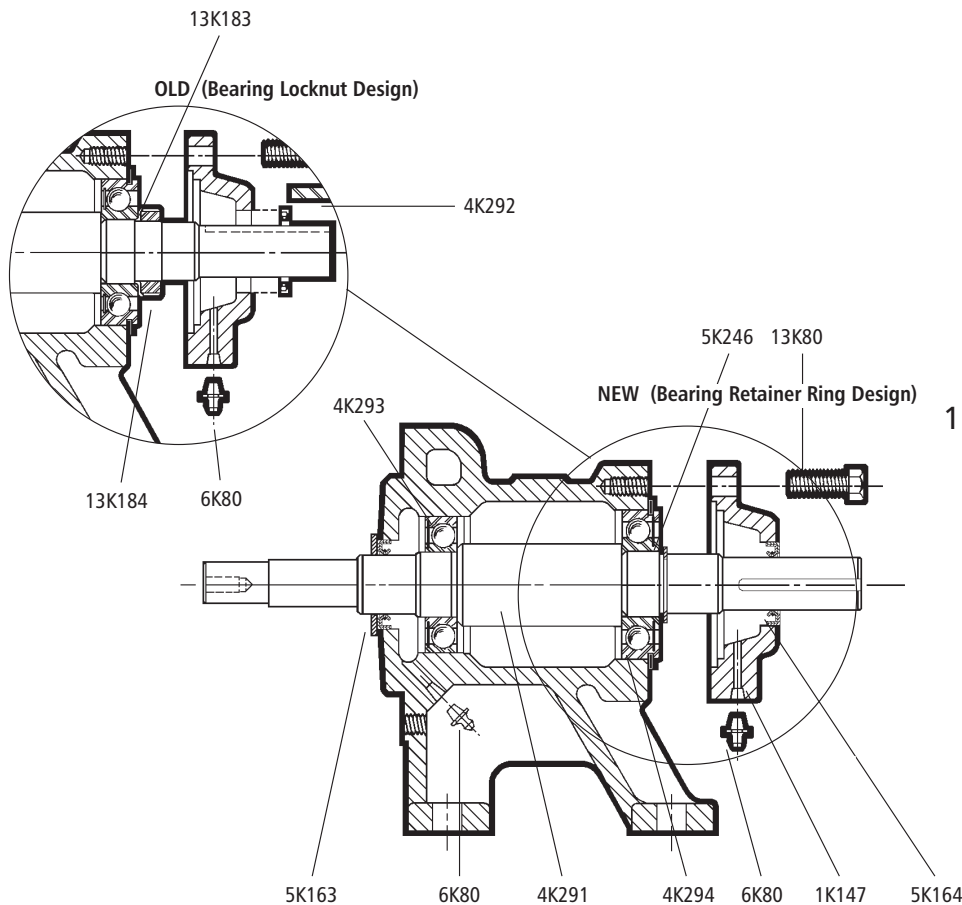
3FRM13MS – 3 x 4-13

4FRM13MS – 4 x 6-13

1 1/4FRM9 1/2MS – 1 1/4 x 1 1/2-9 1/2

5FRM7MS – 5 x 6-7

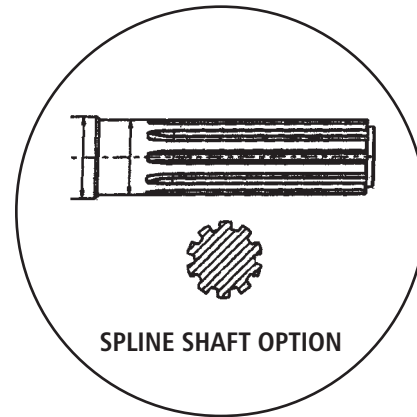
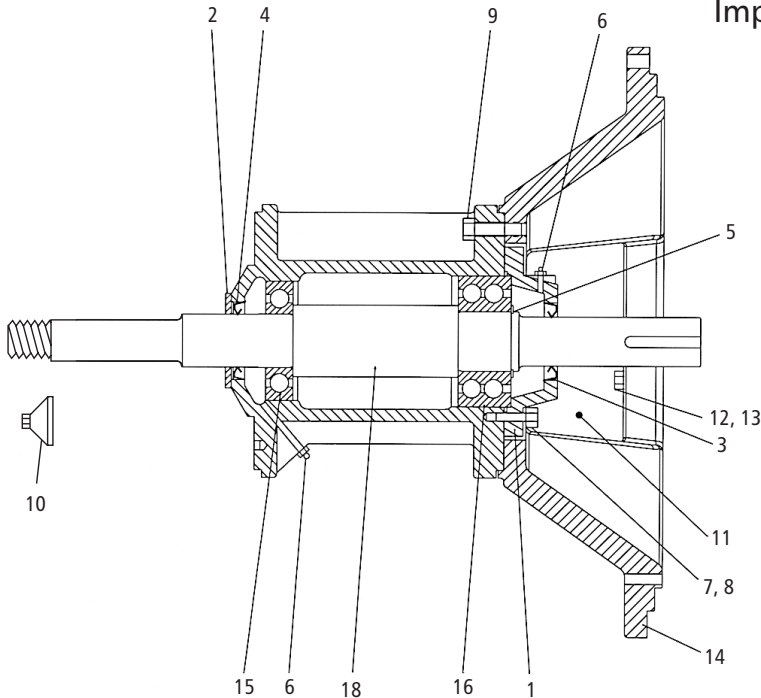
6FRM9 1/2MS – 6 x 8-9 1/2



| PART NO. | DESCRIPTION                                | MATERIAL          | PATTERN NO. |
|----------|--|-------------------|-------------|
| 14L60    | Power Frame Complete, Mechanical Seal Pump |                   |             |
| 15K6     | Power Frame Complete, Packed Box Pump      |                   |             |
| 1K147    | Bearing cover                              | Cast iron         | 59056       |
| 4K411    | Shaft – mechanical seal                    | Steel             |             |
| 4K453    | Shaft – packed box                         | Steel             |             |
| 4K292    | Shaft key – motor end                      | Steel             |             |
| 4K293    | Ball bearing – inboard                     | Steel             |             |
| 4K294    | Ball bearing – outboard                    | Steel             |             |
| 5K163    | Deflector                                  | BUNA-N            |             |
| 5K164    | Lip seal – mechanical seal                 | BUNA/Steel        |             |
| 5K280    | Lip seal – packed box                      | BUNA/Steel        |             |
| 5K246    | Retaining ring                             | Steel             |             |
| 6K80     | Grease fitting – frame and bearing cover   | Steel             |             |
| 13K80    | Hex head cap screw – bearing cover         | Zinc-Plated Steel |             |
| 13K183   | Lockwasher                                 | Zinc-Plated Steel |             |
| 13K184   | Locknut                                    | Zinc-Plated Steel |             |

For parts pricing and package stock quantities refer to published parts price list using "K" part no. listed above.  
Shaft and mounting face duplicates NEMA 254JM dimensions.

Drive Shaft (Keyed) – 1<sup>5</sup>/<sub>8</sub>" Ø  
 Drive Shaft (Spline) – 1<sup>1</sup>/<sub>2</sub>" Ø (10T)  
 Impeller Bore – 1<sup>5</sup>/<sub>8</sub>" Ø (Group 2)  
 1<sup>1</sup>/<sub>4</sub>" Ø (Group 1)



**AG-FLO Sizes**

**Group 1**

- 2<sup>1</sup>/<sub>2</sub>SAE8MS – 2<sup>1</sup>/<sub>2</sub> x 3-8
- 3SAE8MS – 3 x 4-8
- 4SAE8MS – 4 x 5-8
- 1<sup>1</sup>/<sub>2</sub>SAE10MS – 1<sup>1</sup>/<sub>2</sub> x 2-10
- 2<sup>1</sup>/<sub>2</sub>SAE10MS – 2<sup>1</sup>/<sub>2</sub> x 3-10
- 3SAE10MS – 3 x 4-10
- 2<sup>1</sup>/<sub>2</sub>SAE9MS – 2<sup>1</sup>/<sub>2</sub> x 3-9
- 4SAE10MS – 4 x 6-10
- 2<sup>1</sup>/<sub>2</sub>SAE13MS – 2<sup>1</sup>/<sub>2</sub> x 3-13
- 3SAE13MS – 3 x 4-13
- 4SAE13MS – 4 x 6-13
- 1<sup>1</sup>/<sub>4</sub>SAE9<sup>1</sup>/<sub>2</sub>MS – 1<sup>1</sup>/<sub>4</sub> x 1<sup>1</sup>/<sub>2</sub>-9<sup>1</sup>/<sub>2</sub>
- 6SAE9<sup>1</sup>/<sub>2</sub>MS – 4 x 6-13

**Group 2**

- 5SAE13MS – 6 x 8-13
- 8SAE13MS – 8 x 10-13
- 4SAE16MS – 4 x 6-16

| ITEM NO.  | PART NO. | DESCRIPTION  | MATERIAL          | PUMP SIZES |
|-----------|----------|--|-------------------|------------|
|           | 15K50    | Power Frame Assembly, Packed Box – Spline Shaft                  |                   | Group 1    |
|           | 15K56    | Power Frame Assembly, Mechanical Seal – Spline Shaft             |                   | Group 1    |
|           | 15K49    | Power Frame Assembly, Mech. Seal . Packed Box – Spline Shaft     |                   | Group 2    |
|           | 15K18    | Power Frame Assembly, Packed Box – Keyed Shaft                   |                   | Group 1    |
|           | 15K21    | Power Frame Assembly, Mechanical Seal – Keyed Shaft              |                   | Group 1    |
|           | 15K19    | Power Frame Assembly, Mechanical Seal / Packed Box – Keyed Shaft |                   | Group 2    |
| 1         | 1K147    | Bearing Cover  |                   | all        |
| 2         | 5K163    | Deflector  | BUNA-N            | all        |
| 3         | 5K164    | Lip Seal – Outboard  | BUNA / Steel      | all        |
| 4         | 5K280    | Lip Seal – Inboard   | BUNA / Steel      | all        |
| 5         | 5K246    | Retaining Ring   | Steel             | all        |
| 6         | 6K80     | Grease Fitting – Frame and Bearing Cover                         | Steel             | all        |
| 7         | 13K80    | Hex Head Cap Screw – Bearing Cover                               | Zinc-Plated Steel | all        |
| 8         | 13K158B  | Lockwasher – Bearing Cover                                       | Zinc-Plated Steel | all        |
| 9         | 13K102   | Hex Head Cap Screw – Frame Adapter Ring                          | Zinc-Plated Steel | all        |
| 10        | 13K352   | Impeller Nut   | 304 SS            | Group 2    |
|           | 13K362   | Impeller Nut   | 304 SS            | Group 1    |
| 11        | 4K482    | Guard, Adapter SAE 1, 2, 3                                       | Galvanized Steel  | all        |
|           | 4K483    | Guard, Adapter SAE 4, 5  | Galvanized Steel  | all        |
| 12        | 13K268   | Cap Screw, Guard   | 304 SS            | all        |
| 13        | 13K238   | Washer, Guard  | 304 SS            | all        |
| 14        | 1K384    | Adapter Ring, SAE #1   | Cast Iron         | all        |
|           | 1K385    | Adapter Ring, SAE #2 – #3  | Cast Iron         | all        |
|           | 1K386    | Adapter Ring, SAE #4 – #5  | Cast Iron         | all        |
| 15        | 4K293    | Ball Bearing, Inboard  | Steel             | all        |
| 16        | 4K469    | Ball Bearing, Outboard   | Steel             | all        |
| not shown | 4K491    | Shaft Key, Shaft   | Cast Iron         | 59476      |
| 18        | 4K650    | Shaft, Packed Box – Spline                                       |                   | Group 1    |
|           | 4K647    | Shaft, Mechanical Seal – Spline                                  |                   | Group 1    |
|           | 4K646    | Shaft, Mech. Seal / Packed Box – Spline                          |                   | Group 2    |
|           | 4K664    | Shaft, Packed Box Keyed  | 4140              | Group 1    |
|           | 4K624    | Shaft, Mechanical Seal – Keyed                                   | 4140              | Group 1    |
|           | 4K561    | Shaft, Mech. Seal / Packed Box – Keyed                           | 4140              | Group 2    |

For parts pricing and package stock quantities refer to published parts price list using "K" part no. listed above.

# Goulds Pumps

Ag. / Irrigation

NOTES

## NOTES

ITT

2881 East Bayard Street, Seneca Falls, NY 13148

Phone: (315) 568-7123 • Fax: (315) 568-7973

[www.goulds.com](http://www.goulds.com)

Goulds Pumps is a registered trademark of ITT Corporation. ITT, the Engineered Blocks Symbol and Engineered for Life are registered trademarks of ITT Manufacturing Enterprises, Inc.

Copyright © 2009 ITT Corporation RPFRAFLO June, 2009  
SPECIFICATIONS ARE SUBJECT TO CHANGE WITHOUT NOTICE.

Printed in U.S.A.

