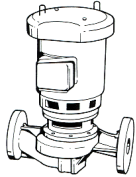


JOB:	REPRESENTATIVE:	
UNIT TAG:	ORDER NO.:	DATE:
ENGINEER:	SUBMITTED BY:	DATE:
CONTRACTOR:	APPROVED BY:	DATE:



4x4x9.5B

Marlow Series e-580

In-Line Mounted Centrifugal Pumps

SPECIFICATIONS

FLOW _____ HEAD _____
 HP _____ RPM _____
 VOLTS _____
 CYCLE _____ INPUT PHASE _____
 ENCLOSURE _____
 APPROX. WEIGHT _____
 SPECIALS _____

MATERIALS OF CONSTRUCTION

Stainless Steel Fitted

MAXIMUM WORKING PRESSURE

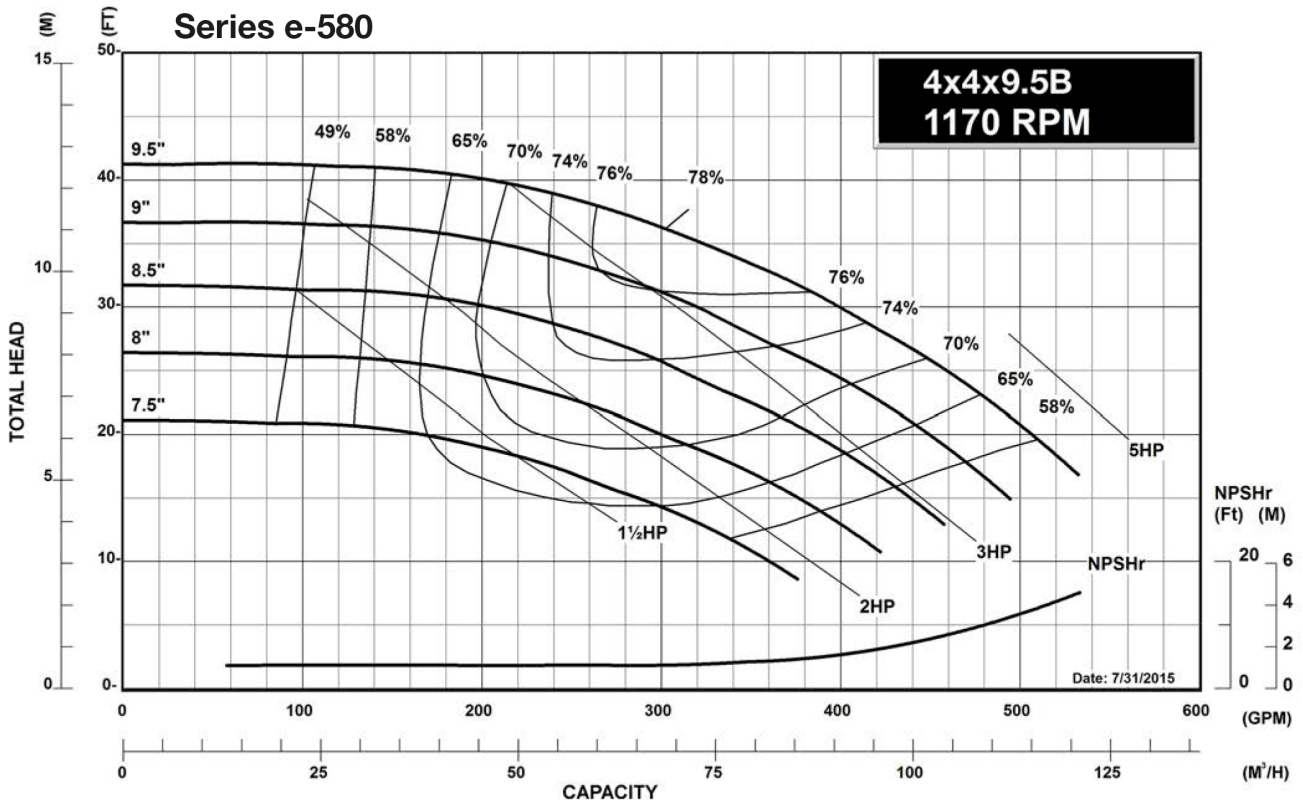
- 175 psi (12 bar) with 125# ANSI flange drilling
- 250 psi (17 bar) with 250# ANSI flange drilling (requires e-580-S)

MOUNTING

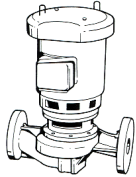
- In-Line Piping
- Flange Supports

TYPE OF SEAL

- F Standard Seal w/ Flush Line (Buna-Carbon/Ceramic)
- S Stuffing Box construction w/ Flushed Mechanical Single Seal (EPR-Tungsten Carbide/Carbon)
- PF Stuffing Box Construction w/ Flushed Packing (Graphite Impregnated PTFE)



JOB:	REPRESENTATIVE:	
UNIT TAG:	ORDER NO.:	DATE:
ENGINEER:	SUBMITTED BY:	DATE:
CONTRACTOR:	APPROVED BY:	DATE:



4x4x9.5B Marlow Series e-580 In-Line Mounted Centrifugal Pumps

SPECIFICATIONS

FLOW _____ HEAD _____
 HP _____ RPM _____
 VOLTS _____
 CYCLE _____ INPUT PHASE _____
 ENCLOSURE _____
 APPROX. WEIGHT _____
 SPECIALS _____

MATERIALS OF CONSTRUCTION

Stainless Steel Fitted

MAXIMUM WORKING PRESSURE

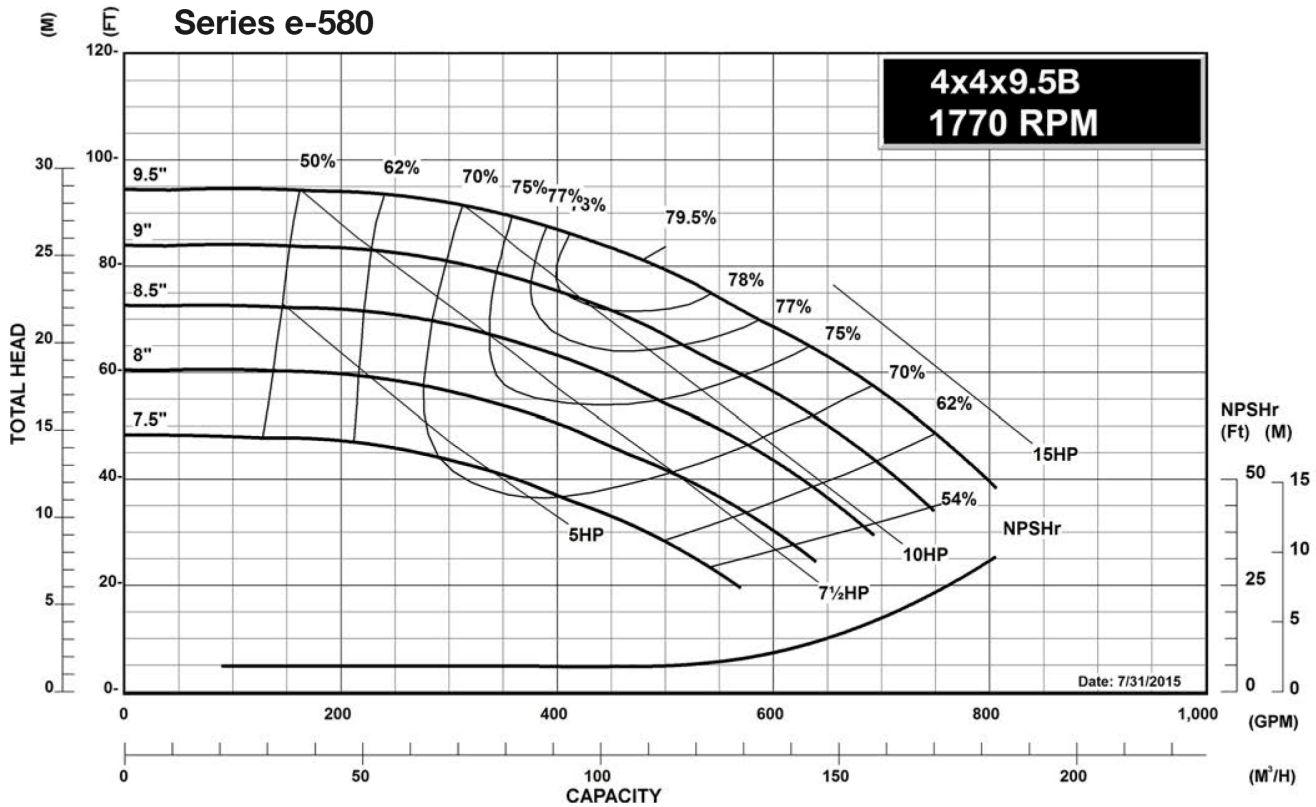
- 175 psi (12 bar) with 125# ANSI flange drilling
- 250 psi (17 bar) with 250# ANSI flange drilling (requires e-580-S)

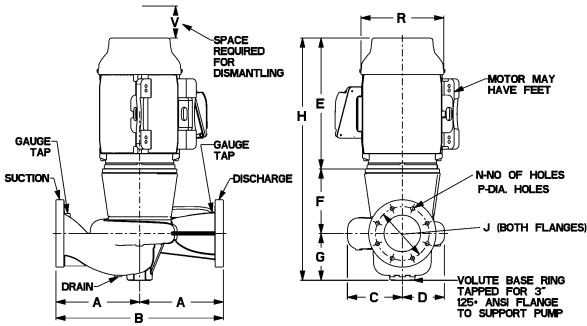
MOUNTING

- In-Line Piping
- Flange Supports

TYPE OF SEAL

- F Standard Seal w/ Flush Line (Buna-Carbon/Ceramic)
- S Stuffing Box construction w/ Flushed Mechanical Single Seal (EPR-Tungsten Carbide/Carbon)
- PF Stuffing Box Construction w/ Flushed Packing (Graphite Impregnated PTFE)





4x4x9.5B Marlow Series e-580 Centrifugal Pump Submittal - In-Line Piping

DIMENSIONS - Inches (mm)

STANDARD SEAL

MOTOR FRAME	A	B	C	D	E (max)	F	G	H (max)	125# ANSI			250# ANSI			R	S (Max)*	V (min)	Suct/Disch Gauge Taps (NPT)	Drain Tap (NPT)
									J	N	P	J	N	P					
									182JM	12.50 (318)	25.00 (635)	6.51 (165)	7.94 (202)	15.31 (389)					
184JM	12.50 (318)	25.00 (635)	6.51 (165)	7.94 (202)	15.31 (389)	5.13 (130)	7.25 (184)	27.69 (703)	7.50 (191)	8 (19)	0.75 (19)	7.88 (200)	8 (22)	0.88 (22)	11.75 (298)	1.00 (25)	5.00 (127)	0.25	0.25
213JM	12.50 (318)	25.00 (635)	6.51 (165)	7.94 (202)	19.25 (489)	5.13 (130)	7.25 (184)	31.62 (803)	7.50 (191)	8 (19)	0.75 (19)	7.88 (200)	8 (22)	0.88 (22)	14.00 (356)	-	5.00 (127)	0.25	0.25
215JM	12.50 (318)	25.00 (635)	6.51 (165)	7.94 (202)	19.25 (489)	5.13 (130)	7.25 (184)	31.62 (803)	7.50 (191)	8 (19)	0.75 (19)	7.88 (200)	8 (22)	0.88 (22)	14.00 (356)	-	5.00 (127)	0.25	0.25
254JM	12.50 (318)	25.00 (635)	6.51 (165)	7.94 (202)	24.13 (613)	6.13 (156)	7.25 (184)	37.50 (952)	7.50 (191)	8 (19)	0.75 (19)	7.88 (200)	8 (22)	0.88 (22)	17.00 (432)	-	5.00 (127)	0.25	0.25

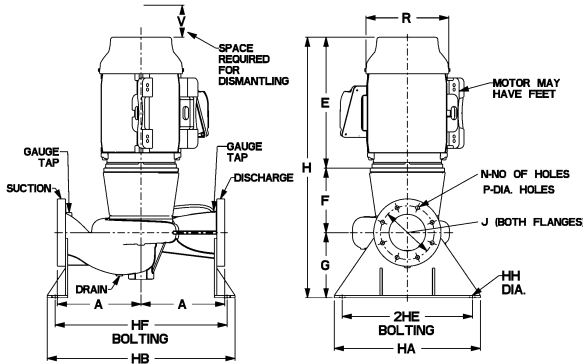
STUFFING BOX

MOTOR FRAME	A	B	C	D	E (max)	F	G	H (max)	125# ANSI			250# ANSI			R	S (Max)*	V (min)	Suct/Disch Gauge Taps (NPT)	Drain Tap (NPT)
									J	N	P	J	N	P					
									182JP	12.50 (318)	25.00 (635)	6.51 (165)	7.94 (202)	15.31 (389)					
184JP	12.50 (318)	25.00 (635)	6.51 (165)	7.94 (202)	15.31 (389)	8.25 (210)	7.25 (184)	30.81 (783)	7.50 (191)	8 (19)	0.75 (19)	7.88 (200)	8 (22)	0.88 (22)	11.75 (298)	1.00 (25)	5.00 (127)	0.25	0.25
213JP	12.50 (318)	25.00 (635)	6.51 (165)	7.94 (202)	19.25 (489)	9.00 (229)	7.25 (184)	35.50 (902)	7.50 (191)	8 (19)	0.75 (19)	7.88 (200)	8 (22)	0.88 (22)	14.00 (356)	-	5.00 (127)	0.25	0.25
215JP	12.50 (318)	25.00 (635)	6.51 (165)	7.94 (202)	19.25 (489)	9.00 (229)	7.25 (184)	35.50 (902)	7.50 (191)	8 (19)	0.75 (19)	7.88 (200)	8 (22)	0.88 (22)	14.00 (356)	-	5.00 (127)	0.25	0.25
254JP	12.50 (318)	25.00 (635)	6.51 (165)	7.94 (202)	24.13 (613)	9.00 (229)	7.25 (184)	40.37 (1026)	7.50 (191)	8 (19)	0.75 (19)	7.88 (200)	8 (22)	0.88 (22)	17.00 (432)	-	5.00 (127)	0.25	0.25

Dimensions are subject to change. Not to be used for construction purposes unless certified.

NOTE: For Single phase Motors add 1" to dimensions E & H.

*Dimensions are for ODP Motors. For TEFC add S dimension to dimensions E & H.



4x4x9.5B Marlow Series e-580 Centrifugal Pump Submittal - Flange Support Mounting

DIMENSIONS - Inches (mm)

STANDARD SEAL

MOTOR FRAME	A	HF BOLTING	HB	2HE BOLTING	HA	HH DIA	E (max)	F	G	H (max)	125# ANSI			250# ANSI			R	S (Max)*	V (min)	Suct/Disch Gauge Taps (NPT)	Drain Tap (NPT)
											J	N	P	J	N	P					
182JM	12.50 (318)	26.66 (677)	30.16 (766)	21.50 (546)	25.00 (635)	0.88 (22)	15.31 (389)	5.13 (130)	9.02 (229)	29.46 (748)	7.50 (191)	8 (19)	0.75 (19)	7.88 (200)	8 (22)	0.88 (22)	11.75 (298)	1.00 (25)	5.00 (127)	0.25	0.25
184JM	12.50 (318)	26.66 (677)	30.16 (766)	21.50 (546)	25.00 (635)	0.88 (22)	15.31 (389)	5.13 (130)	9.02 (229)	29.46 (748)	7.50 (191)	8 (19)	0.75 (19)	7.88 (200)	8 (22)	0.88 (22)	11.75 (298)	1.00 (25)	5.00 (127)	0.25	0.25
213JM	12.50 (318)	26.66 (677)	30.16 (766)	21.50 (546)	25.00 (635)	0.88 (22)	19.25 (489)	5.13 (130)	9.02 (229)	33.40 (848)	7.50 (191)	8 (19)	0.75 (19)	7.88 (200)	8 (22)	0.88 (22)	14.00 (356)	-	5.00 (127)	0.25	0.25
215JM	12.50 (318)	26.66 (677)	30.16 (766)	21.50 (546)	25.00 (635)	0.88 (22)	19.25 (489)	5.13 (130)	9.02 (229)	33.40 (848)	7.50 (191)	8 (19)	0.75 (19)	7.88 (200)	8 (22)	0.88 (22)	14.00 (356)	-	5.00 (127)	0.25	0.25
254JM	12.50 (318)	26.66 (677)	30.16 (766)	21.50 (546)	25.00 (635)	0.88 (22)	24.13 (613)	6.13 (156)	9.02 (229)	39.27 (997)	7.50 (191)	8 (19)	0.75 (19)	7.88 (200)	8 (22)	0.88 (22)	17.00 (432)	-	5.00 (127)	0.25	0.25

STUFFING BOX

MOTOR FRAME	A	HF BOLTING	HB	ZHE BOLTING	HA	HH DIA	E (max)	F	G	H (max)	125# ANSI			250# ANSI			R	S (Max)*	V (min)	Suct/Disch Gauge Taps (NPT)	Drain Tap (NPT)
											J	N	P	J	N	P					
182JP	12.50 (318)	26.66 (677)	30.16 (766)	21.50 (546)	25.00 (635)	0.88 (22)	15.31 (389)	8.25 (210)	9.02 (229)	32.58 (828)	7.50 (191)	8 (19)	0.75 (19)	7.88 (200)	8 (22)	0.88 (22)	11.75 (298)	1.00 (25)	5.00 (127)	0.25	0.25
184JP	12.50 (318)	26.66 (677)	30.16 (766)	21.50 (546)	25.00 (635)	0.88 (22)	15.31 (389)	8.25 (210)	9.02 (229)	32.58 (828)	7.50 (191)	8 (19)	0.75 (19)	7.88 (200)	8 (22)	0.88 (22)	11.75 (298)	1.00 (25)	5.00 (127)	0.25	0.25
213JP	12.50 (318)	26.66 (677)	30.16 (766)	21.50 (546)	25.00 (635)	0.88 (22)	19.25 (489)	9.00 (229)	9.02 (229)	37.27 (947)	7.50 (191)	8 (19)	0.75 (19)	7.88 (200)	8 (22)	0.88 (22)	14.00 (356)	-	5.00 (127)	0.25	0.25
215JP	12.50 (318)	26.66 (677)	30.16 (766)	21.50 (546)	25.00 (635)	0.88 (22)	19.25 (489)	9.00 (229)	9.02 (229)	37.27 (947)	7.50 (191)	8 (19)	0.75 (19)	7.88 (200)	8 (22)	0.88 (22)	14.00 (356)	-	5.00 (127)	0.25	0.25
254JP	12.50 (318)	26.66 (677)	30.16 (766)	21.50 (546)	25.00 (635)	0.88 (22)	24.13 (613)	9.00 (229)	9.02 (229)	42.15 (1070)	7.50 (191)	8 (19)	0.75 (19)	7.88 (200)	8 (22)	0.88 (22)	17.00 (432)	-	5.00 (127)	0.25	0.25

Dimensions are subject to change. Not to be used for construction purposes unless certified.

NOTE: For Single phase Motors add 1" to dimensions E & H.

*Dimensions are for ODP Motors. For TEFC add S dimension to dimensions E & H.