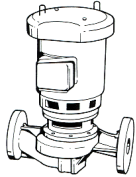


JOB:	REPRESENTATIVE:
UNIT TAG:	ORDER NO.:
ENGINEER:	SUBMITTED BY:
CONTRACTOR:	APPROVED BY:
	DATE:
	DATE:
	DATE:



4x4x11B

Marlow Series e-580

In-Line Mounted Centrifugal Pumps

SPECIFICATIONS

FLOW _____ HEAD _____
 HP _____ RPM _____
 VOLTS _____
 CYCLE _____ INPUT PHASE _____
 ENCLOSURE _____
 APPROX. WEIGHT _____
 SPECIALS _____

MATERIALS OF CONSTRUCTION

Stainless Steel Fitted

MAXIMUM WORKING PRESSURE

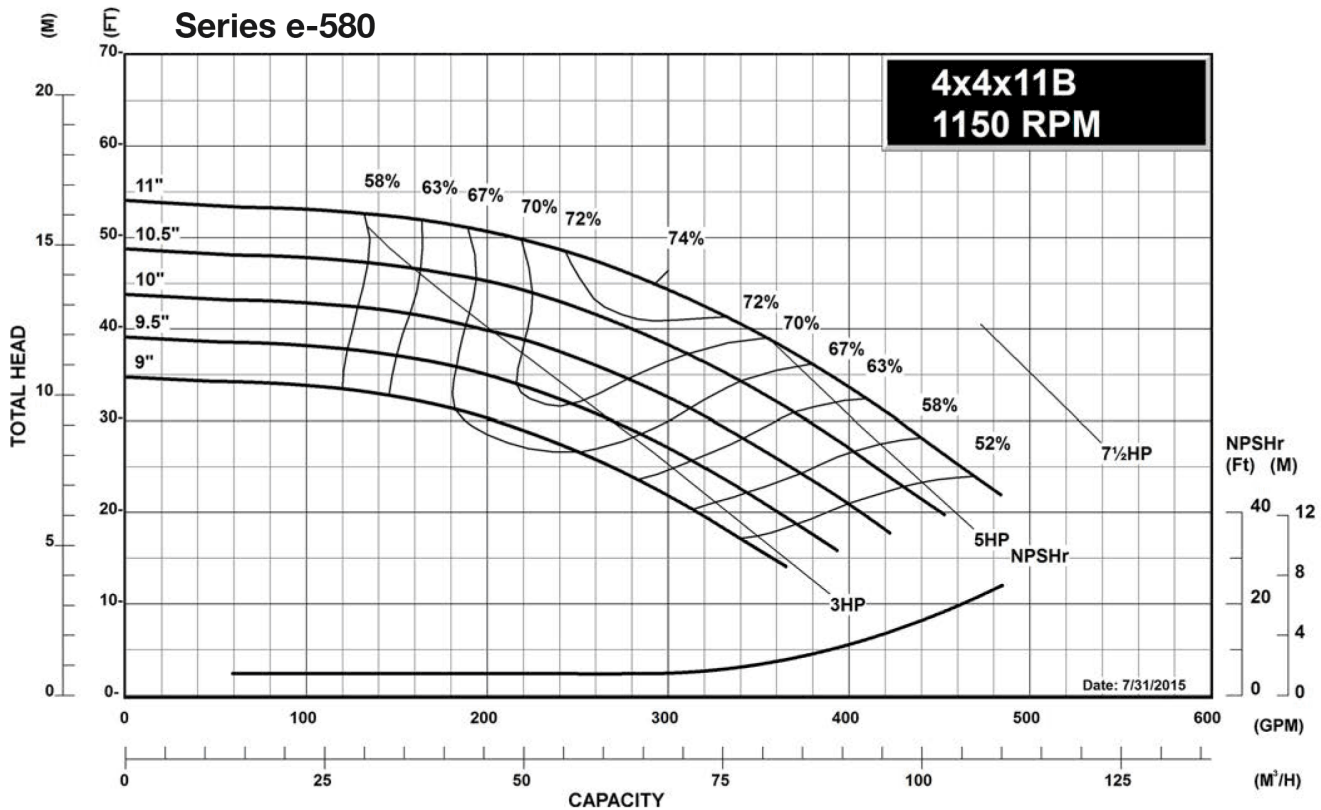
- 175 psi (12 bar) with 125# ANSI flange drilling
- 250 psi (17 bar) with 250# ANSI flange drilling (requires e-580-S)

MOUNTING

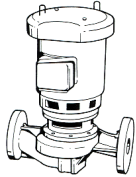
- In-Line Piping
- Flange Supports

TYPE OF SEAL

- F Standard Seal w/ Flush Line (Buna-Carbon/Ceramic)
- S Stuffing Box construction w/ Flushed Mechanical Single Seal (EPR-Tungsten Carbide/Carbon)
- PF Stuffing Box Construction w/ Flushed Packing (Graphite Impregnated PTFE)



JOB:	REPRESENTATIVE:	
UNIT TAG:	ORDER NO.:	DATE:
ENGINEER:	SUBMITTED BY:	DATE:
CONTRACTOR:	APPROVED BY:	DATE:



4x4x11B

Marlow Series e-580

In-Line Mounted Centrifugal Pumps

SPECIFICATIONS

FLOW _____ HEAD _____
 HP _____ RPM _____
 VOLTS _____
 CYCLE _____ INPUT PHASE _____
 ENCLOSURE _____
 APPROX. WEIGHT _____
 SPECIALS _____

MATERIALS OF CONSTRUCTION

Stainless Steel Fitted

MAXIMUM WORKING PRESSURE

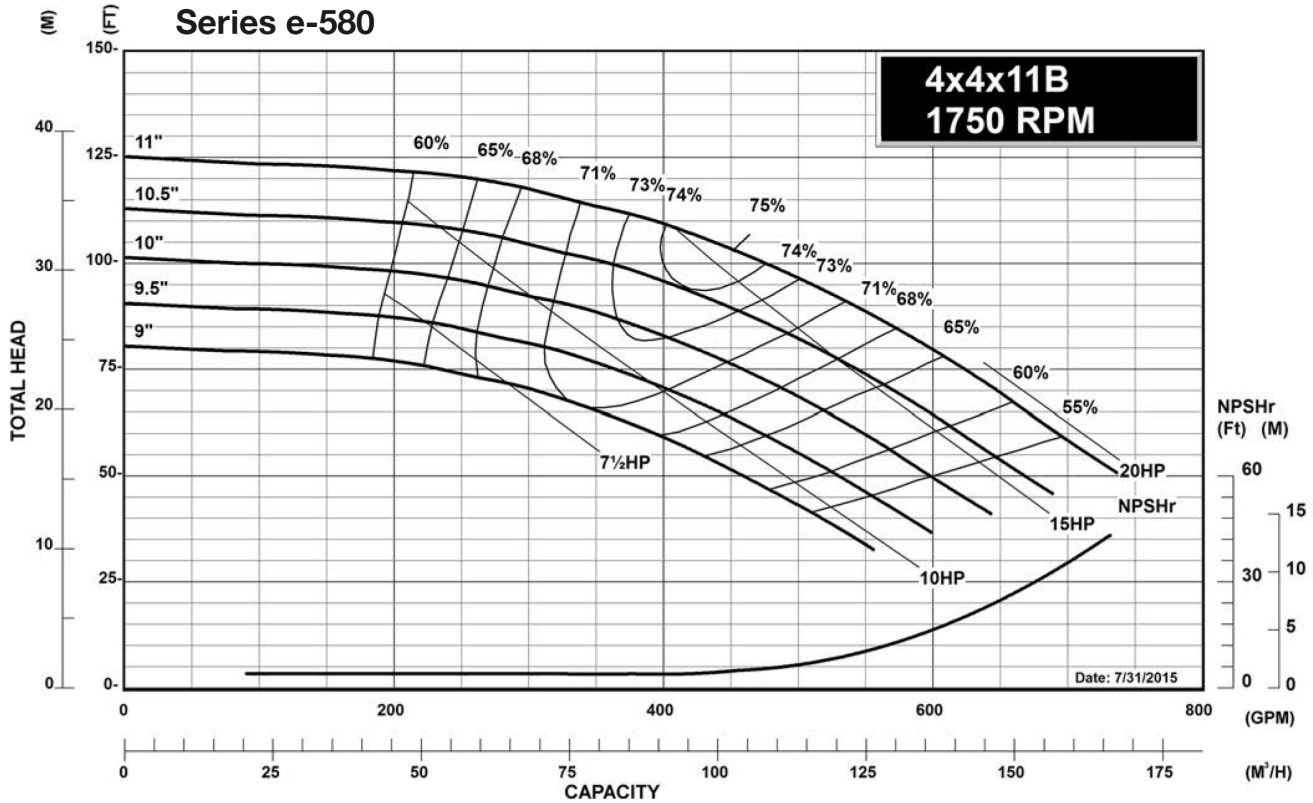
- 175 psi (12 bar) with 125# ANSI flange drilling
- 250 psi (17 bar) with 250# ANSI flange drilling (requires e-580-S)

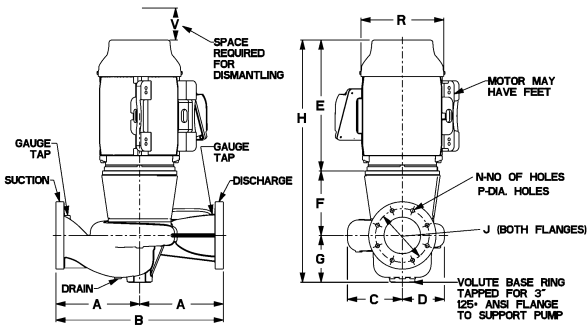
MOUNTING

- In-Line Piping
- Flange Supports

TYPE OF SEAL

- F Standard Seal w/ Flush Line (Buna-Carbon/Ceramic)
- S Stuffing Box construction w/ Flushed Mechanical Single Seal (EPR-Tungsten Carbide/Carbon)
- PF Stuffing Box Construction w/ Flushed Packing (Graphite Impregnated PTFE)





4x4x11B Marlow Series e-580 Centrifugal Pump Submittal - In-Line Piping

DIMENSIONS - Inches (mm)

STANDARD SEAL

MOTOR FRAME	A	B	C	D	E (max)	F	G	H (max)	125# ANSI			250# ANSI			R	S (Max)*	V (min)	Suct/Disch Gauge Taps (NPT)	Drain Tap (NPT)
									J	N	P	J	N	P					
									184JM	13.00 (330)	26.00 (660)	7.01 (178)	8.22 (209)	15.31 (389)					
213JM	13.00 (330)	26.00 (660)	7.01 (178)	8.22 (209)	19.25 (489)	4.38 (111)	7.50 (191)	31.13 (791)	7.50 (191)	8 (19)	0.75 (19)	7.88 (200)	8 (22)	0.88 (22)	14.00 (356)	-	5.25 (133)	0.25	0.25
215JM	13.00 (330)	26.00 (660)	7.01 (178)	8.22 (209)	19.25 (489)	4.38 (111)	7.50 (191)	31.13 (791)	7.50 (191)	8 (19)	0.75 (19)	7.88 (200)	8 (22)	0.88 (22)	14.00 (356)	-	5.25 (133)	0.25	0.25
254JM	13.00 (330)	26.00 (660)	7.01 (178)	8.22 (209)	24.13 (613)	4.86 (123)	7.50 (191)	36.48 (927)	7.50 (191)	8 (19)	0.75 (19)	7.88 (200)	8 (22)	0.88 (22)	17.00 (432)	-	5.25 (133)	0.25	0.25
256JM	13.00 (330)	26.00 (660)	7.01 (178)	8.22 (209)	24.13 (613)	4.86 (123)	7.50 (191)	36.48 (927)	7.50 (191)	8 (19)	0.75 (19)	7.88 (200)	8 (22)	0.88 (22)	17.00 (432)	-	5.25 (133)	0.25	0.25

STUFFING BOX

MOTOR FRAME	A	B	C	D	E (max)	F	G	H (max)	125# ANSI			250# ANSI			R	S (Max)*	V (min)	Suct/Disch Gauge Taps (NPT)	Drain Tap (NPT)
									J	N	P	J	N	P					
									184JP	13.00 (330)	26.00 (660)	7.01 (178)	8.22 (209)	15.31 (389)					
213JP	13.00 (330)	26.00 (660)	7.01 (178)	8.22 (209)	19.25 (489)	7.38 (187)	7.50 (191)	34.13 (867)	7.50 (191)	8 (19)	0.75 (19)	7.88 (200)	8 (22)	0.88 (22)	14.00 (356)	-	5.25 (133)	0.25	0.25
215JP	13.00 (330)	26.00 (660)	7.01 (178)	8.22 (209)	19.25 (489)	7.38 (187)	7.50 (191)	34.13 (867)	7.50 (191)	8 (19)	0.75 (19)	7.88 (200)	8 (22)	0.88 (22)	14.00 (356)	-	5.25 (133)	0.25	0.25
254JP	13.00 (330)	26.00 (660)	7.01 (178)	8.22 (209)	24.13 (613)	7.69 (195)	7.50 (191)	39.31 (999)	7.50 (191)	8 (19)	0.75 (19)	7.88 (200)	8 (22)	0.88 (22)	17.00 (432)	-	5.25 (133)	0.25	0.25
256JP	13.00 (330)	26.00 (660)	7.01 (178)	8.22 (209)	24.13 (613)	7.69 (195)	7.50 (191)	39.31 (999)	7.50 (191)	8 (19)	0.75 (19)	7.88 (200)	8 (22)	0.88 (22)	17.00 (432)	-	5.25 (133)	0.25	0.25
284JP	9.50 (241)	19.00 (483)	5.88 (149)	6.25 (159)	23.63 (600)	8.56 (217)	4.50 (114)	36.75 (933)	3.88 (98)	4 (16)	0.63 (16)	4.50 (114)	4 (22)	0.88 (22)	16.13 (410)	4.63 (117)	4.00 (102)	0.25	0.25
286JP	9.50 (241)	19.00 (483)	5.88 (149)	6.25 (159)	25.13 (638)	8.56 (217)	4.50 (114)	38.13 (968)	3.88 (98)	4 (16)	0.63 (16)	4.50 (114)	4 (22)	0.88 (22)	16.13 (410)	4.63 (117)	4.00 (102)	0.25	0.25

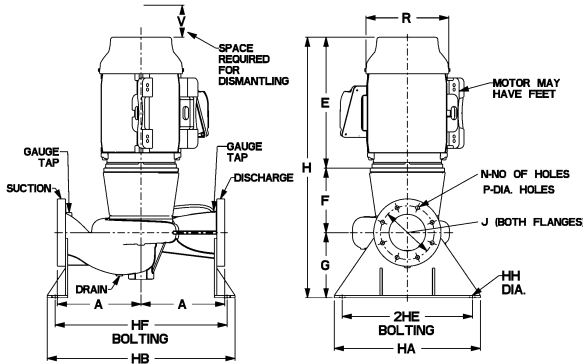
Dimensions are subject to change. Not to be used for construction purposes unless certified.

NOTE: For Single phase Motors add 1" to dimensions E & H.

*Dimensions are for ODP Motors. For TEFC add S dimension to dimensions E & H.

Xylem Inc.
8200 N. Austin Avenue
Morton Grove, IL 60053
Phone: (847)966-3700
Fax: (847)965-8379
www.gouldswatertechnology.com

xylem
Let's Solve Water



4x4x11B Marlow Series e-580 Centrifugal Pump Submittal - Flange Support Mounting

DIMENSIONS - Inches (mm)

STANDARD SEAL

MOTOR FRAME	A	HF BOLTING	HB	2HE BOLTING	HA	HH DIA	E (max)	F	G	H (max)	125# ANSI			250# ANSI			R	S (Max)*	V (min)	Suct/Disch Gauge Taps (NPT)	Drain Tap (NPT)
											J	N	P	J	N	P					
184JM	13.00 (330)	27.66 (703)	31.16 (791)	21.50 (546)	25.00 (635)	0.88 (22)	15.31 (389)	4.38 (111)	9.02 (229)	28.71 (729)	7.50 (191)	8 (19)	0.75 (19)	7.88 (200)	8 (22)	0.88 (22)	11.38 (289)	1.00 (25)	5.25 (133)	0.25	0.25
213JM	13.00 (330)	27.66 (703)	31.16 (791)	21.50 (546)	25.00 (635)	0.88 (22)	19.25 (489)	4.38 (111)	9.02 (229)	32.65 (829)	7.50 (191)	8 (19)	0.75 (19)	7.88 (200)	8 (22)	0.88 (22)	14.00 (356)	-	5.25 (133)	0.25	0.25
215JM	13.00 (330)	27.66 (703)	31.16 (791)	21.50 (546)	25.00 (635)	0.88 (22)	19.25 (489)	4.38 (111)	9.02 (229)	32.65 (829)	7.50 (191)	8 (19)	0.75 (19)	7.88 (200)	8 (22)	0.88 (22)	14.00 (356)	-	5.25 (133)	0.25	0.25
254JM	13.00 (330)	27.66 (703)	31.16 (791)	21.50 (546)	25.00 (635)	0.88 (22)	24.13 (613)	4.86 (123)	9.02 (229)	38.00 (965)	7.50 (191)	8 (19)	0.75 (19)	7.88 (200)	8 (22)	0.88 (22)	17.00 (432)	-	5.25 (133)	0.25	0.25
256JM	13.00 (330)	27.66 (703)	31.16 (791)	21.50 (546)	25.00 (635)	0.88 (22)	24.13 (613)	4.86 (123)	9.02 (229)	38.00 (965)	7.50 (191)	8 (19)	0.75 (19)	7.88 (200)	8 (22)	0.88 (22)	17.00 (432)	-	5.25 (133)	0.25	0.25

STUFFING BOX

MOTOR FRAME	A	HF BOLTING	HB	ZHE BOLTING	HA	HH DIA	E (max)	F	G	H (max)	125# ANSI			250# ANSI			R	S (Max)*	V (min)	Suct/Disch Gauge Taps (NPT)	Drain Tap (NPT)
											J	N	P	J	N	P					
184JP	13.00 (330)	27.66 (703)	31.16 (791)	21.50 (546)	25.00 (635)	0.88 (22)	15.31 (389)	7.38 (187)	9.02 (229)	31.71 (805)	7.50 (191)	8 (19)	0.75 (19)	7.88 (200)	8 (22)	0.88 (22)	11.38 (289)	1.00 (25)	5.25 (133)	0.25	0.25
213JP	13.00 (330)	27.66 (703)	31.16 (791)	21.50 (546)	25.00 (635)	0.88 (22)	19.25 (489)	7.38 (187)	9.02 (229)	35.65 (905)	7.50 (191)	8 (19)	0.75 (19)	7.88 (200)	8 (22)	0.88 (22)	14.00 (356)	-	5.25 (133)	0.25	0.25
215JP	13.00 (330)	27.66 (703)	31.16 (791)	21.50 (546)	25.00 (635)	0.88 (22)	19.25 (489)	7.38 (187)	9.02 (229)	35.65 (905)	7.50 (191)	8 (19)	0.75 (19)	7.88 (200)	8 (22)	0.88 (22)	14.00 (356)	-	5.25 (133)	0.25	0.25
254JP	13.00 (330)	27.66 (703)	31.16 (791)	21.50 (546)	25.00 (635)	0.88 (22)	24.13 (613)	7.69 (195)	9.02 (229)	40.83 (1037)	7.50 (191)	8 (19)	0.75 (19)	7.88 (200)	8 (22)	0.88 (22)	17.00 (432)	-	5.25 (133)	0.25	0.25
256JP	13.00 (330)	27.66 (703)	31.16 (791)	21.50 (546)	25.00 (635)	0.88 (22)	24.13 (613)	7.69 (195)	9.02 (229)	40.83 (1037)	7.50 (191)	8 (19)	0.75 (19)	7.88 (200)	8 (22)	0.88 (22)	17.00 (432)	-	5.25 (133)	0.25	0.25

Dimensions are subject to change. Not to be used for construction purposes unless certified.

NOTE: For Single phase Motors add 1" to dimensions E & H.

*Dimensions are for ODP Motors. For TEFC add S dimension to dimensions E & H.