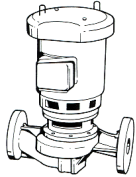


JOB:	REPRESENTATIVE:	
UNIT TAG:	ORDER NO.:	DATE:
ENGINEER:	SUBMITTED BY:	DATE:
CONTRACTOR:	APPROVED BY:	DATE:



6x6x11B

Marlow Series e-580

In-Line Mounted Centrifugal Pumps

SPECIFICATIONS

FLOW _____ HEAD _____
 HP _____ RPM _____
 VOLTS _____
 CYCLE _____ INPUT PHASE _____
 ENCLOSURE _____
 APPROX. WEIGHT _____
 SPECIALS _____

MATERIALS OF CONSTRUCTION

Stainless Steel Fitted

MAXIMUM WORKING PRESSURE

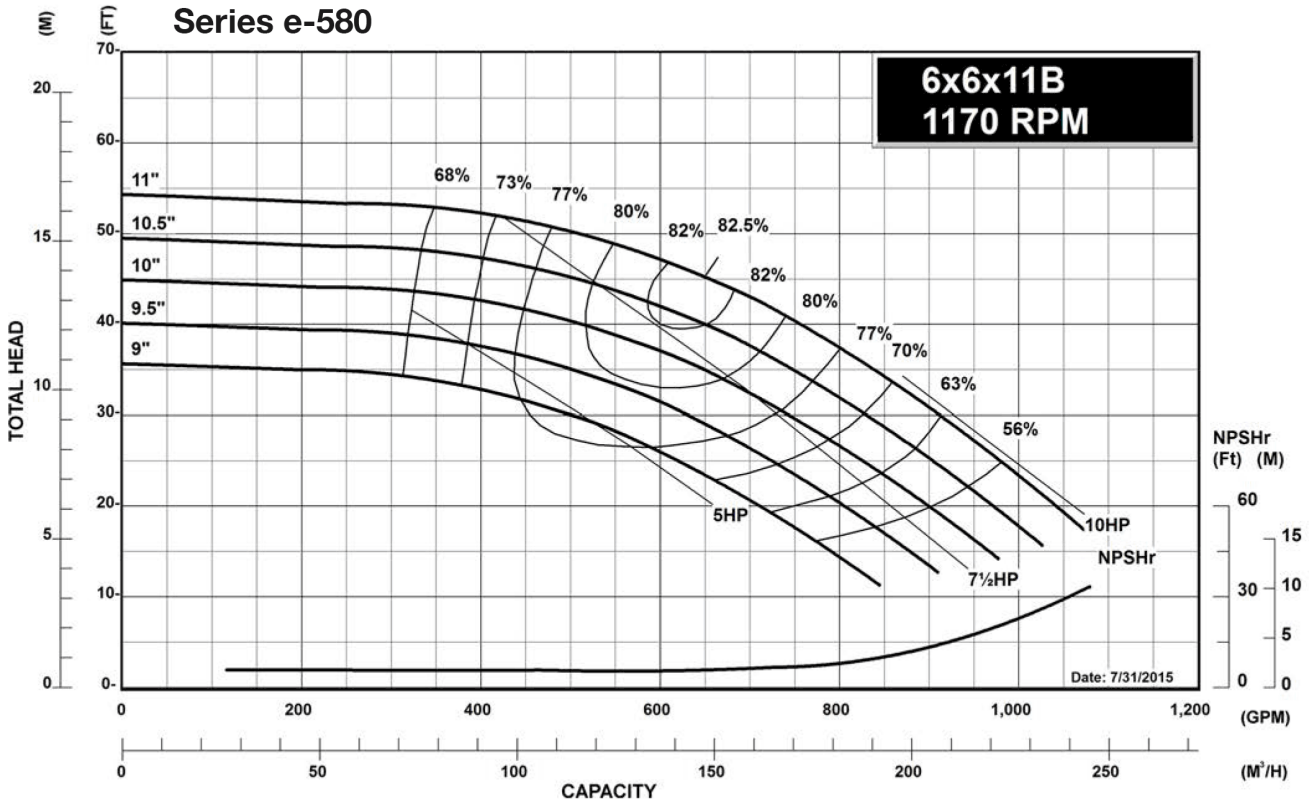
- 175 psi (12 bar) with 125# ANSI flange drilling
- 250 psi (17 bar) with 250# ANSI flange drilling (requires e-580-S)

MOUNTING

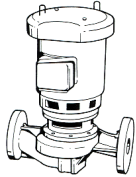
- In-Line Piping
- Flange Supports

TYPE OF SEAL

- F Standard Seal w/ Flush Line (Buna-Carbon/Ceramic)
- S Stuffing Box construction w/ Flushed Mechanical Single Seal (EPR-Tungsten Carbide/Carbon)
- PF Stuffing Box Construction w/ Flushed Packing (Graphite Impregnated PTFE)



JOB: UNIT TAG: ENGINEER: CONTRACTOR:	REPRESENTATIVE: ORDER NO.: SUBMITTED BY: APPROVED BY:	DATE: DATE: DATE:
---	--	--



6x6x11B Marlow Series e-580 In-Line Mounted Centrifugal Pumps

SPECIFICATIONS

FLOW _____ HEAD _____
 HP _____ RPM _____
 VOLTS _____
 CYCLE _____ INPUT PHASE _____
 ENCLOSURE _____
 APPROX. WEIGHT _____
 SPECIALS _____

MATERIALS OF CONSTRUCTION

Stainless Steel Fitted

MAXIMUM WORKING PRESSURE

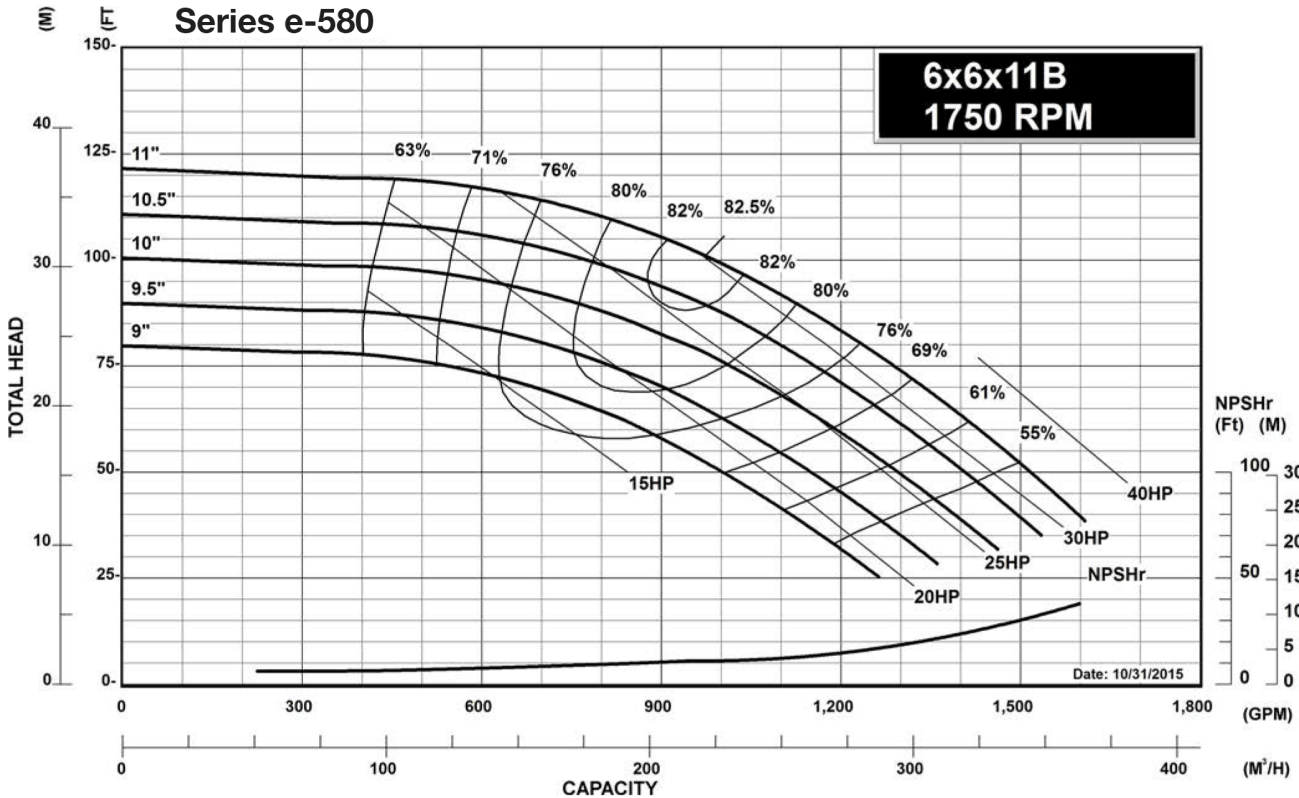
- 175 psi (12 bar) with 125# ANSI flange drilling
- 250 psi (17 bar) with 250# ANSI flange drilling (requires e-580-S)

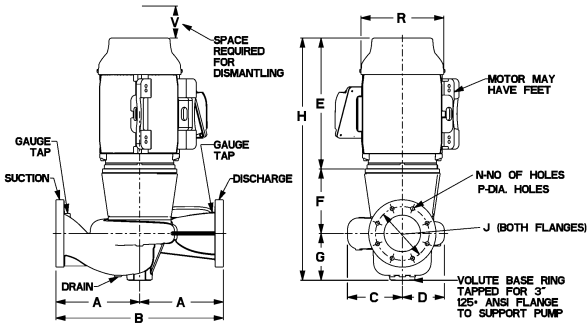
MOUNTING

- In-Line Piping
- Flange Supports

TYPE OF SEAL

- F Standard Seal w/ Flush Line (Buna-Carbon/Ceramic)
- S Stuffing Box construction w/ Flushed Mechanical Single Seal (EPR-Tungsten Carbide/Carbon)
- PF Stuffing Box Construction w/ Flushed Packing (Graphite Impregnated PTFE)





6x6x11B Marlow Series e-580 Centrifugal Pump Submittal - In-Line Piping

DIMENSIONS - Inches (mm)

STANDARD SEAL

MOTOR FRAME	A	B	C	D	E (max)	F	G	H (max)	125# ANSI			250# ANSI			R	S (Max)*	V (min)	Suct/Disch Gauge Taps (NPT)	Drain Tap (NPT)
									J	N	P	J	N	P					
									213JM	16.00 (406)	32.00 (813)	8.02 (204)	10.98 (279)	19.25 (489)					
215JM	16.00 (406)	32.00 (813)	8.02 (204)	10.98 (279)	19.25 (489)	4.19 (106)	8.84 (225)	32.28 (820)	9.50 (241)	8 (22)	0.88 (22)	10.63 (270)	12 (22)	0.88 (22)	14.00 (356)	-	5.94 (151)	0.25	0.25
254JM	16.00 (406)	32.00 (813)	8.02 (204)	10.98 (279)	24.13 (613)	4.98 (127)	8.84 (225)	37.95 (964)	9.50 (241)	8 (22)	0.88 (22)	10.63 (270)	12 (22)	0.88 (22)	17.00 (432)	-	5.94 (151)	0.25	0.25
256JM	16.00 (406)	32.00 (813)	8.02 (204)	10.98 (279)	24.13 (613)	4.98 (127)	8.84 (225)	37.95 (964)	9.50 (241)	8 (22)	0.88 (22)	10.63 (270)	12 (22)	0.88 (22)	17.00 (432)	-	5.94 (151)	0.25	0.25
284JM	16.00 (406)	32.00 (813)	8.02 (204)	10.98 (279)	23.63 (600)	4.98 (127)	8.84 (225)	37.45 (951)	9.50 (241)	8 (22)	0.88 (22)	10.63 (270)	12 (22)	0.88 (22)	16.13 (410)	4.63 (117)	5.94 (151)	0.25	0.25
286JM	16.00 (406)	32.00 (813)	8.02 (204)	10.98 (279)	25.13 (638)	4.98 (127)	8.84 (225)	38.95 (989)	9.50 (241)	8 (22)	0.88 (22)	10.63 (270)	12 (22)	0.88 (22)	16.13 (410)	4.63 (117)	5.94 (151)	0.25	0.25
324JM	16.00 (406)	32.00 (813)	8.02 (204)	10.98 (279)	26.00 (660)	4.98 (127)	8.84 (225)	39.82 (1011)	9.50 (241)	8 (22)	0.88 (22)	10.63 (270)	12 (22)	0.88 (22)	18.75 (476)	4.63 (117)	5.94 (151)	0.25	0.25

STUFFING BOX

MOTOR FRAME	A	B	C	D	E (max)	F	G	H (max)	125# ANSI			250# ANSI			R	S (Max)*	V (min)	Suct/Disch Gauge Taps (NPT)	Drain Tap (NPT)
									J	N	P	J	N	P					
									213JP	16.00 (406)	32.00 (813)	8.02 (204)	10.98 (279)	19.25 (489)					
215JP	16.00 (406)	32.00 (813)	8.02 (204)	10.98 (279)	19.25 (489)	7.19 (183)	8.84 (225)	35.28 (896)	9.50 (241)	8 (22)	0.88 (22)	10.63 (270)	12 (22)	0.88 (22)	14.00 (356)	-	5.94 (151)	0.25	0.25
254JP	16.00 (406)	32.00 (813)	8.02 (204)	10.98 (279)	24.13 (613)	7.81 (198)	8.84 (225)	40.78 (1036)	9.50 (241)	8 (22)	0.88 (22)	10.63 (270)	12 (22)	0.88 (22)	17.00 (432)	-	5.94 (151)	0.25	0.25
256JP	16.00 (406)	32.00 (813)	8.02 (204)	10.98 (279)	24.13 (613)	7.81 (198)	8.84 (225)	40.78 (1036)	9.50 (241)	8 (22)	0.88 (22)	10.63 (270)	12 (22)	0.88 (22)	17.00 (432)	-	5.94 (151)	0.25	0.25
284JP	16.00 (406)	32.00 (813)	8.02 (204)	10.98 (279)	23.63 (600)	7.81 (198)	8.84 (225)	40.28 (1023)	9.50 (241)	8 (22)	0.88 (22)	10.63 (270)	12 (22)	0.88 (22)	16.13 (410)	4.63 (117)	5.94 (151)	0.25	0.25
286P	16.00 (406)	32.00 (813)	8.02 (204)	10.98 (279)	25.13 (638)	7.81 (198)	8.84 (225)	41.78 (1061)	9.50 (241)	8 (22)	0.88 (22)	10.63 (270)	12 (22)	0.88 (22)	16.13 (410)	4.63 (117)	5.94 (151)	0.25	0.25
324JP	16.00 (406)	32.00 (813)	8.02 (204)	10.98 (279)	26.00 (660)	7.81 (198)	8.84 (225)	42.65 (1083)	9.50 (241)	8 (22)	0.88 (22)	10.63 (270)	12 (22)	0.88 (22)	18.75 (476)	4.63 (117)	5.94 (151)	0.25	0.25

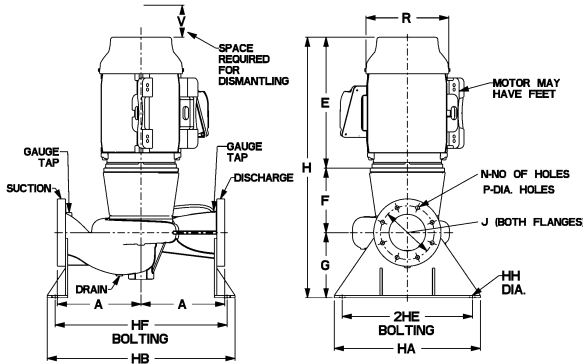
Dimensions are subject to change. Not to be used for construction purposes unless certified.

NOTE: For Single phase Motors add 1" to dimensions E & H.

*Dimensions are for ODP Motors. For TEFC add S dimension to dimensions E & H.

Xylem Inc.
8200 N. Austin Avenue
Morton Grove, IL 60053
Phone: (847)966-3700
Fax: (847)965-8379
www.gouldswatertechnology.com

xylem
Let's Solve Water



6x6x11B Marlow Series e-580 Centrifugal Pump Submittal - Flange Support Mounting

DIMENSIONS - Inches (mm)

STANDARD SEAL

MOTOR FRAME	A	HF BOLTING	HB	2HE BOLTING	HA	HH DIA	E (max)	F	G	H (max)	125# ANSI			250# ANSI			R	S (Max)*	V (min)	Suct/Disch Gauge Taps (NPT)	Drain Tap (NPT)
											J	N	P	J	N	P					
213JM	16.00 (406)	34.78 (883)	38.28 (972)	22.50 (572)	26.00 (660)	1.00 (25)	19.25 (489)	4.19 (106)	9.88 (251)	33.31 (846)	9.50 (241)	8 (22)	0.88 (22)	10.63 (270)	12 (22)	0.88 (356)	14.00	-	5.94 (151)	0.25	0.25
215JM	16.00 (406)	34.78 (883)	38.28 (972)	22.50 (572)	26.00 (660)	1.00 (25)	19.25 (489)	4.19 (106)	9.88 (251)	33.31 (846)	9.50 (241)	8 (22)	0.88 (22)	10.63 (270)	12 (22)	0.88 (356)	14.00	-	5.94 (151)	0.25	0.25
254JM	16.00 (406)	34.78 (883)	38.28 (972)	22.50 (572)	26.00 (660)	1.00 (25)	24.13 (613)	4.98 (127)	9.88 (251)	38.98 (990)	9.50 (241)	8 (22)	0.88 (22)	10.63 (270)	12 (22)	0.88 (432)	17.00	-	5.94 (151)	0.25	0.25
256JM	16.00 (406)	34.78 (883)	38.28 (972)	22.50 (572)	26.00 (660)	1.00 (25)	24.13 (613)	4.98 (127)	9.88 (251)	38.98 (990)	9.50 (241)	8 (22)	0.88 (22)	10.63 (270)	12 (22)	0.88 (432)	17.00	-	5.94 (151)	0.25	0.25
284JM	16.00 (406)	34.78 (883)	38.28 (972)	22.50 (572)	26.00 (660)	1.00 (25)	23.63 (600)	4.98 (127)	9.88 (251)	38.48 (977)	9.50 (241)	8 (22)	0.88 (22)	10.63 (270)	12 (22)	0.88 (410)	16.13	4.63 (117)	5.94 (151)	0.25	0.25
286JM	16.00 (406)	34.78 (883)	38.28 (972)	22.50 (572)	26.00 (660)	1.00 (25)	25.13 (638)	4.98 (127)	9.88 (251)	39.98 (1016)	9.50 (241)	8 (22)	0.88 (22)	10.63 (270)	12 (22)	0.88 (410)	16.13	4.63 (117)	5.94 (151)	0.25	0.25
324JM	16.00 (406)	34.78 (883)	38.28 (972)	22.50 (572)	26.00 (660)	1.00 (25)	26.00 (660)	4.98 (127)	9.88 (251)	40.86 (1038)	9.50 (241)	8 (22)	0.88 (22)	10.63 (270)	12 (22)	0.88 (476)	18.75	4.63 (117)	5.94 (151)	0.25	0.25

STUFFING BOX

MOTOR FRAME	A	HF BOLTING	HB	ZHE BOLTING	HA	HH DIA	E (max)	F	G	H (max)	125# ANSI			250# ANSI			R	S (Max)*	V (min)	Suct/Disch Gauge Taps (NPT)	Drain Tap (NPT)
											J	N	P	J	N	P					
213JP	16.00 (406)	34.78 (883)	38.28 (972)	22.50 (572)	26.00 (660)	1.00 (25)	19.25 (489)	7.56 (192)	9.88 (251)	36.69 (932)	9.50 (241)	8 (22)	0.88 (22)	10.63 (270)	12 (22)	0.88 (356)	14.00	-	5.94 (151)	0.25	0.25
215JP	16.00 (406)	34.78 (883)	38.28 (972)	22.50 (572)	26.00 (660)	1.00 (25)	19.25 (489)	7.19 (183)	9.88 (251)	36.31 (922)	9.50 (241)	8 (22)	0.88 (22)	10.63 (270)	12 (22)	0.88 (356)	14.00	-	5.94 (151)	0.25	0.25
254JP	16.00 (406)	34.78 (883)	38.28 (972)	22.50 (572)	26.00 (660)	1.00 (25)	24.13 (613)	7.81 (198)	9.88 (251)	41.81 (1062)	9.50 (241)	8 (22)	0.88 (22)	10.63 (270)	12 (22)	0.88 (432)	17.00	-	5.94 (151)	0.25	0.25
256JP	16.00 (406)	34.78 (883)	38.28 (972)	22.50 (572)	26.00 (660)	1.00 (25)	24.13 (613)	7.81 (198)	9.88 (251)	41.81 (1062)	9.50 (241)	8 (22)	0.88 (22)	10.63 (270)	12 (22)	0.88 (432)	17.00	-	5.94 (151)	0.25	0.25
284JP	16.00 (406)	34.78 (883)	38.28 (972)	22.50 (572)	26.00 (660)	1.00 (25)	23.63 (600)	7.81 (198)	9.88 (251)	41.31 (1049)	9.50 (241)	8 (22)	0.88 (22)	10.63 (270)	12 (22)	0.88 (410)	16.13	4.63 (117)	5.94 (151)	0.25	0.25
286P	16.00 (406)	34.78 (883)	38.28 (972)	22.50 (572)	26.00 (660)	1.00 (25)	25.13 (638)	7.81 (198)	9.88 (251)	42.81 (1087)	9.50 (241)	8 (22)	0.88 (22)	10.63 (270)	12 (22)	0.88 (410)	16.13	4.63 (117)	5.94 (151)	0.25	0.25
324JP	16.00 (406)	34.78 (883)	38.28 (972)	22.50 (572)	26.00 (660)	1.00 (25)	26.00 (660)	7.81 (198)	9.88 (251)	43.69 (1110)	9.50 (241)	8 (22)	0.88 (22)	10.63 (270)	12 (22)	0.88 (476)	18.75	4.63 (117)	5.94 (151)	0.25	0.25

Dimensions are subject to change. Not to be used for construction purposes unless certified.

NOTE: For Single phase Motors add 1" to dimensions E & H.

*Dimensions are for ODP Motors. For TEFC add S dimension to dimensions E & H.

Xylem Inc.
8200 N. Austin Avenue
Morton Grove, IL 60053
Phone: (847)966-3700
Fax: (847)965-8379
www.gouldswatertechnology.com

