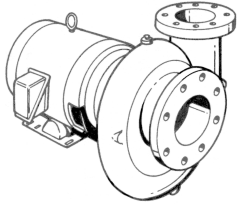


| | | |
|---|--|--|
| JOB: UNIT TAG: ENGINEER: CONTRACTOR: | REPRESENTATIVE: ORDER NO.: SUBMITTED BY: APPROVED BY: | DATE: DATE: DATE: |
|---|--|--|



2-13SC

Marlow Series 530

Close-Coupled Centrifugal Pumps

SPECIFICATIONS

FLOW _____ HEAD _____

HP _____ RPM _____

VOLTS _____

CYCLE _____ PHASE _____

ENCLOSURE _____

APPROX. WEIGHT _____

SPECIALS _____

MATERIALS OF CONSTRUCTION

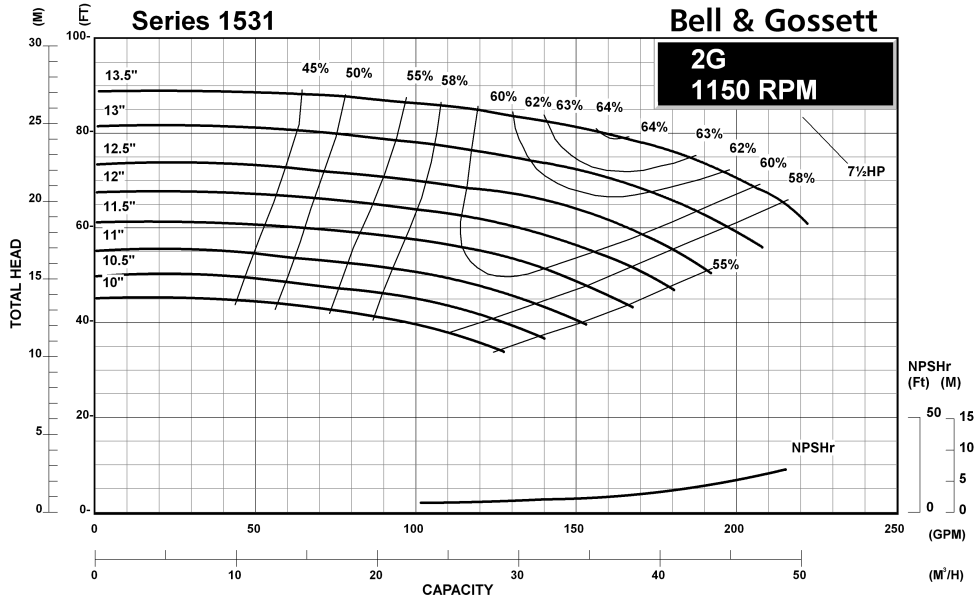
BRONZE FITTED

MAXIMUM WORKING PRESSURE

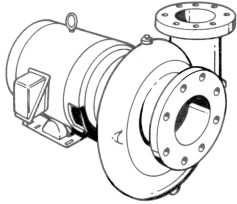
175 psi (12 bar) W.P.
with 125# ANSI flange drilling

TYPE OF SEAL

- 1531 Standard Seal
(Buna-Carbon/Ceramic)
- 1531 -F Standard Seal w/ Flush Line
(Buna-Carbon/Ceramic)
- 1531 -S Stuffing Box construction w/ Flushed
Mechanical Single Seal
(EPR-Tungsten Carbide/Carbon)
- 1531 -D Stuffing Box construction w/ Flushed
Double Mechanical Seal
(EPR-Carbon/Ceramic)
Requires external water source
- 1531 -PF Stuffing Box Construction
w/ Flushed Packing
(Graphite Impregnated Teflon)



| | | |
|---|--|--|
| JOB: UNIT TAG: ENGINEER: CONTRACTOR: | REPRESENTATIVE: ORDER NO.: SUBMITTED BY: APPROVED BY: | DATE: DATE: DATE: |
|---|--|--|



2-13SC

Marlow Series 530

Close-Coupled Centrifugal Pumps

SPECIFICATIONS

FLOW _____ HEAD _____

HP _____ RPM _____

VOLTS _____

CYCLE _____ PHASE _____

ENCLOSURE _____

APPROX. WEIGHT _____

SPECIALS _____

MATERIALS OF CONSTRUCTION

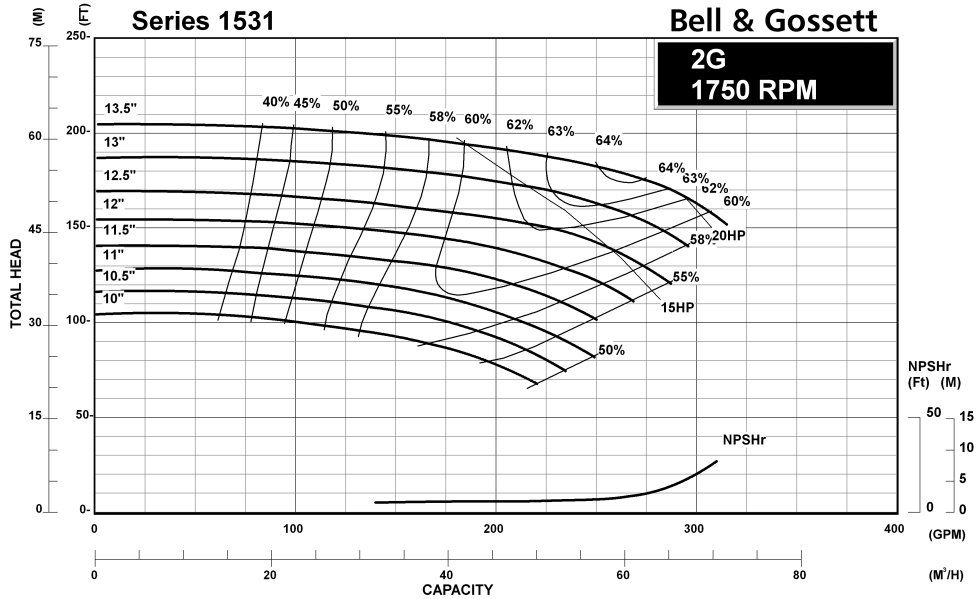
BRONZE FITTED

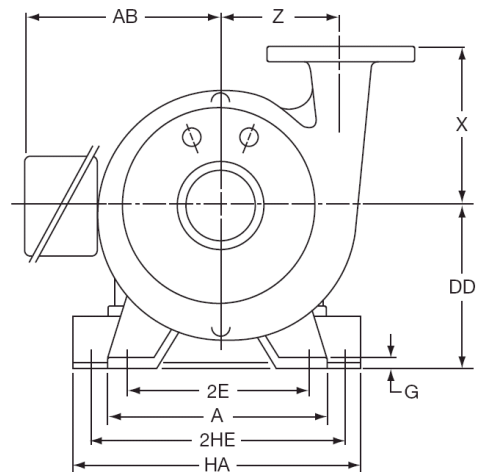
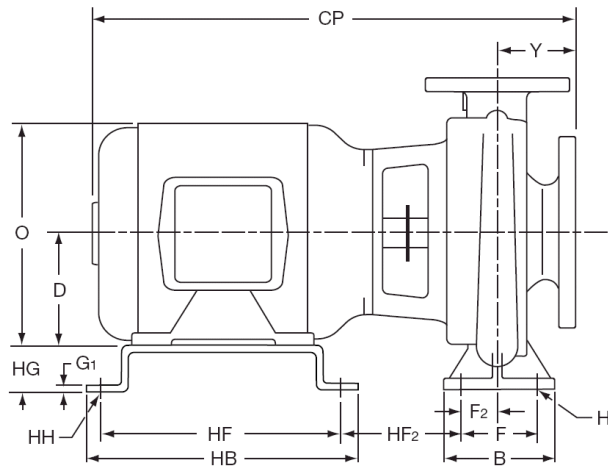
MAXIMUM WORKING PRESSURE

175 psi (12 bar) W.P.
with 125# ANSI flange drilling

TYPE OF SEAL

- 1531 Standard Seal
(Buna-Carbon/Ceramic)
- 1531 -F Standard Seal w/ Flush Line
(Buna-Carbon/Ceramic)
- 1531 -S Stuffing Box construction w/ Flushed
Mechanical Single Seal
(EPR-Tungsten Carbide/Carbon)
- 1531 -D Stuffing Box construction w/ Flushed
Double Mechanical Seal
(EPR-Carbon/Ceramic)
Requires external water source
- 1531 -PF Stuffing Box Construction
w/ Flushed Packing
(Graphite Impregnated Teflon)





| SIZE OF PUMP AND DISCHARGE | SUCTION | PUMP DIMENSIONS IN INCHES (MM) | | | |
|----------------------------|---------|--------------------------------|---------|------------|------------|
| | | DD | X | Y | Z |
| 2-13SC | 3 | 10 (254) | 9 (229) | 5.50 (140) | 7.25 (184) |

| 125# ANSI FLANGE DIMENSIONS - INCHES (MM) | | | | |
|---|----------------|---------------------|--------------|---------------|
| PIPE SIZE OF FLANGE | O.D. OF FLANGE | DIA. OF BOLT CIRCLE | NO. OF BOLTS | SIZE OF BOLTS |
| 3 | 8 (203) | 6 (152) | 4 | 5/8 (16) |
| 2 | 6-1/4 (159) | 4-3/4 (121) | 4 | 5/8 (16) |

DIMENSIONS – Inches (mm)

STANDARD SEAL

| MOTOR FRAME | A | AB | HB | CP | D | HF | G | G1 | H | HH | HA | F2 | 2E | 2HE | HF2 | B | F | O | HG |
|-------------|-------------|---------------|---------------|----------------|---------------|----------------|--------------|-------------|--------------|--------------|----------------|-----------|-------------|----------------|---------------|------------|------------|----------------|--------------|
| 254JP | 16 (406) | 8 (203) | 15.5 (394) | 29.81 (757) | 6.25 (159) | 14.25 (362) | 0.88 (22) | 0.19 (5) | 0.62 (16) | 0.5 (13) | 13.62 (346) | 2 (51) | 14 (356) | 12.5 (3.17) | 6.56 (167) | 7 (178) | 5 (127) | 10.88 (276) | 3.75 (95) |
| 256JP | 16 (406) | 8.94 (227) | 15.5 (394) | 31.69 (805) | 6.25 (159) | 14.25 (362) | 0.88 (22) | 0.19 (5) | 0.62 (16) | 0.5 (13) | 13.62 (346) | 2 (51) | 14 (356) | 12.5 (3.17) | 8.25 (209) | 7 (178) | 5 (127) | 12.94 (329) | 3.75 (95) |
| 284JP | 16 (406) | 11.5 (292) | 17 (432) | 31.88 (810) | 7 (178) | 15.5 (394) | 0.88 (22) | 0.25 (6) | 0.62 (16) | 0.62 (16) | 14 (356) | 2 (51) | 14 (356) | 12.5 (3.17) | 6.63 (168) | 7 (178) | 5 (127) | 13.88 (352) | 3 (76) |

Dimensions are subject to change. Not to be used for construction purposes unless certified.

Xylem Inc.
 8200 N. Austin Avenue
 Morton Grove, IL 60053
 Phone: (847)966-3700
 Fax: (847)965-8379
 www.gouldswatertechnology.com

