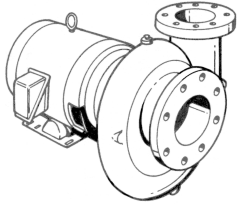


JOB: UNIT TAG: ENGINEER: CONTRACTOR:	REPRESENTATIVE: ORDER NO.: SUBMITTED BY: APPROVED BY:	DATE: DATE: DATE:
---	--	--



4-13BSC

Marlow Series 530

Close-Coupled Centrifugal Pumps

SPECIFICATIONS

FLOW _____ HEAD _____

HP _____ RPM _____

VOLTS _____

CYCLE _____ PHASE _____

ENCLOSURE _____

APPROX. WEIGHT _____

SPECIALS _____

MATERIALS OF CONSTRUCTION

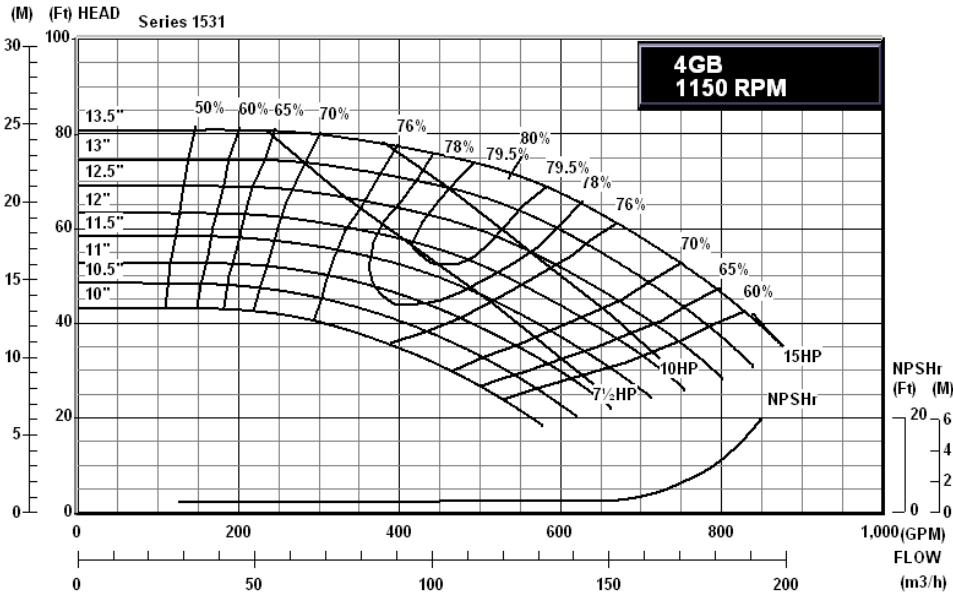
BRONZE FITTED

MAXIMUM WORKING PRESSURE

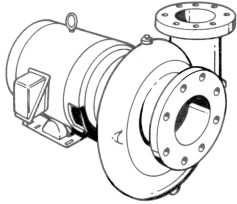
175 psi (12 bar) W.P.
with 125# ANSI flange drilling

TYPE OF SEAL

- 1531 Standard Seal
(Buna-Carbon/Ceramic)
- 1531 -F Standard Seal w/ Flush Line
(Buna-Carbon/Ceramic)
- 1531 -S Stuffing Box construction w/ Flushed
Mechanical Single Seal
(EPR-Tungsten Carbide/Carbon)
- 1531 -D Stuffing Box construction w/ Flushed
Double Mechanical Seal
(EPR-Carbon/Ceramic)
Requires external water source
- 1531 -PF Stuffing Box Construction
w/ Flushed Packing
(Graphite Impregnated Teflon)



JOB:	REPRESENTATIVE:	
UNIT TAG:	ORDER NO.	DATE:
ENGINEER:	SUBMITTED BY:	DATE:
CONTRACTOR:	APPROVED BY:	DATE:



4-13BSC

Marlow Series 530

Close-Coupled Centrifugal Pumps

SPECIFICATIONS

FLOW _____ HEAD _____

HP _____ RPM _____

VOLTS _____

CYCLE _____ PHASE _____

ENCLOSURE _____

APPROX. WEIGHT _____

SPECIALS _____

MATERIALS OF CONSTRUCTION

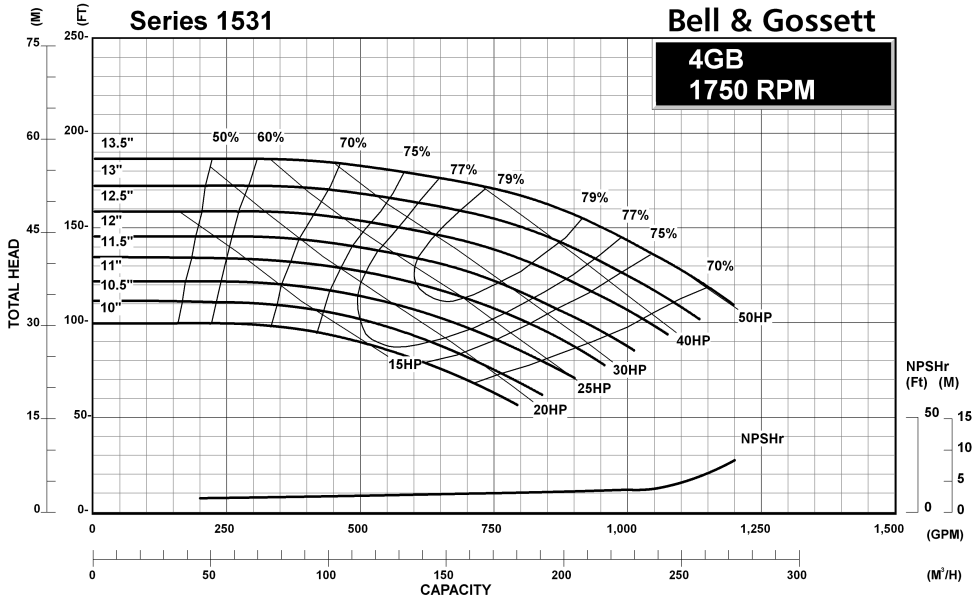
BRONZE FITTED

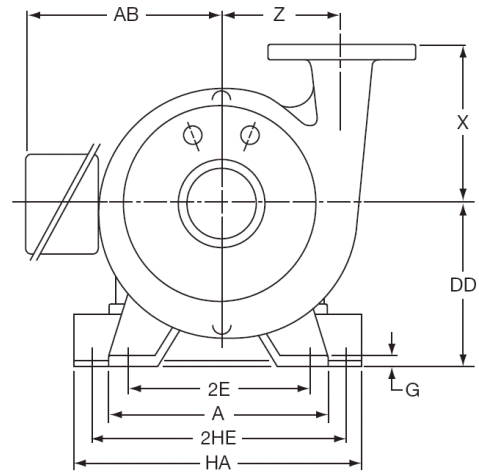
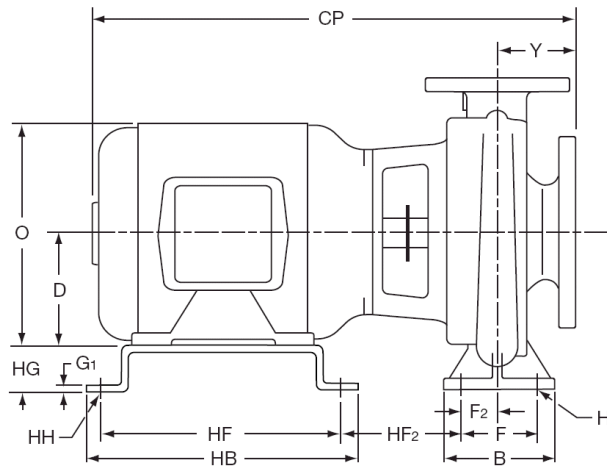
MAXIMUM WORKING PRESSURE

175 psi (12 bar) W.P.
with 125# ANSI flange drilling

TYPE OF SEAL

- 1531 Standard Seal
(Buna-Carbon/Ceramic)
- 1531 -F Standard Seal w/ Flush Line
(Buna-Carbon/Ceramic)
- 1531 -S Stuffing Box construction w/ Flushed
Mechanical Single Seal
(EPR-Tungsten Carbide/Carbon)
- 1531 -D Stuffing Box construction w/ Flushed
Double Mechanical Seal
(EPR-Carbon/Ceramic)
Requires external water source
- 1531 -PF Stuffing Box Construction
w/ Flushed Packing
(Graphite Impregnated Teflon)





SIZE OF PUMP AND DISCHARGE	SUCTION	PUMP DIMENSIONS IN INCHES (MM)			
		DD	X	Y	Z
4-13BSC	5	11 (279)	10 (254)	6 (152)	8.56 (217)

125# ANSI FLANGE DIMENSIONS - INCHES (MM)				
PIPE SIZE OF FLANGE	O.D. OF FLANGE	DIA. OF BOLT CIRCLE	NO. OF BOLTS	SIZE OF BOLTS
4	9-1/2 (241)	7-1/2 (191)	8	5/8 (16)
5	10-3/4 (273)	8-1/2 (216)	8	3/4 (19)

DIMENSIONS – Inches (mm)

STANDARD SEAL

MOTOR FRAME	A	AB	HB	CP	D	HF	G	G1	H	HH	HA	F2	2E	2HE	HF2	B	F	O	HG
254JP	16 (406)	8 (203)	16 (406)	30.56 (776)	6.25 (159)	14.50 (368)	0.88 (22)	0.25 (6)	0.62 (16)	0.62 (16)	14 (356)	2.25 (57)	14 (356)	12.5 (3.17)	6.44 (163)	7 (178)	5 (127)	10.88 (276)	4.75 (121)
256JP	16 (406)	8.94 (227)	16 (406)	32.44 (824)	6.25 (159)	14.50 (368)	0.88 (22)	0.25 (6)	0.62 (16)	0.62 (16)	14 (356)	2.25 (57)	14 (356)	12.5 (3.17)	8.13 (206)	7 (178)	5 (127)	12.94 (329)	4.75 (121)
284JP	16 (406)	11.5 (292)	17 (432)	32.63 (829)	7 (178)	15.5 (394)	0.88 (22)	0.25 (6)	0.62 (16)	0.62 (16)	14 (356)	2.25 (57)	14 (356)	12.5 (3.17)	6.63 (168)	7 (178)	5 (127)	13.88 (352)	4 (102)
286JP	16 (406)	11.5 (292)	17 (432)	34.13 (867)	7 (178)	15.5 (394)	0.88 (22)	0.25 (6)	0.62 (16)	0.62 (16)	14 (356)	2.25 (57)	14 (356)	12.5 (3.17)	8.13 (206)	7 (178)	5 (127)	13.88 (352)	4 (102)
324JP	16 (406)	14.62 (371)	18 (457)	34.56 (878)	8 (203)	16.5 (419)	0.88 (22)	0.25 (6)	0.62 (16)	0.62 (16)	15.75 (400)	2.25 (57)	14 (356)	12.5 (3.17)	7.13 (181)	7 (178)	5 (127)	15.94 (405)	3 (76)
326JP	16 (406)	14.62 (371)	18 (457)	36.06 (916)	8 (203)	16.5 (419)	0.88 (22)	0.25 (6)	0.62 (16)	0.62 (16)	15.75 (400)	2.25 (57)	14 (356)	12.5 (3.17)	8.63 (219)	7 (178)	5 (127)	15.94 (405)	3 (76)

Dimensions are subject to change. Not to be used for construction purposes unless certified.

Xylem Inc.
 8200 N. Austin Avenue
 Morton Grove, IL 60053
 Phone: (847)966-3700
 Fax: (847)965-8379
 www.gouldswatertechnology.com

