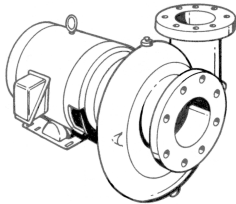


<b>JOB:</b>   <b>UNIT TAG:</b> <b>ENGINEER:</b> <b>CONTRACTOR:</b>	<b>REPRESENTATIVE:</b>   <b>ORDER NO.:</b> <b>SUBMITTED BY:</b> <b>APPROVED BY:</b>	<b>DATE:</b> <b>DATE:</b> <b>DATE:</b>
---	--	--



# 5-13SC

## Marlow Series 530

### Close-Coupled Centrifugal Pumps

**SPECIFICATIONS**

FLOW \_\_\_\_\_ HEAD \_\_\_\_\_

HP \_\_\_\_\_ RPM \_\_\_\_\_

VOLTS \_\_\_\_\_

CYCLE \_\_\_\_\_ PHASE \_\_\_\_\_

ENCLOSURE \_\_\_\_\_

APPROX. WEIGHT \_\_\_\_\_

SPECIALS \_\_\_\_\_

**MATERIALS OF CONSTRUCTION**

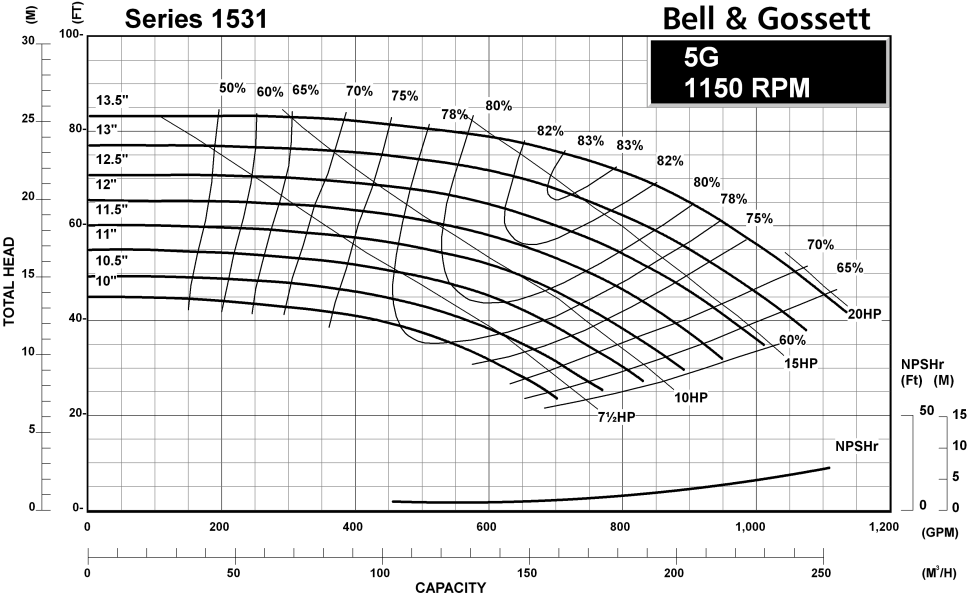
BRONZE FITTED

**MAXIMUM WORKING PRESSURE**

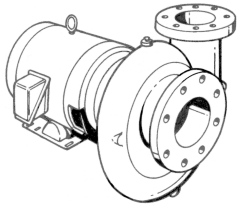
175 psi (12 bar) W.P.  
with 125# ANSI flange drilling

**TYPE OF SEAL**

- 1531 Standard Seal (Buna-Carbon/Ceramic)
- 1531 -F Standard Seal w/ Flush Line (Buna-Carbon/Ceramic)
- 1531 -S Stuffing Box construction w/ Flushed Mechanical Single Seal (EPR-Tungsten Carbide/Carbon)
- 1531 -D Stuffing Box construction w/ Flushed Double Mechanical Seal (EPR-Carbon/Ceramic) Requires external water source
- 1531 -PF Stuffing Box Construction w/ Flushed Packing (Graphite Impregnated Teflon)



<b>JOB:</b>   <b>UNIT TAG:</b> <b>ENGINEER:</b> <b>CONTRACTOR:</b>	<b>REPRESENTATIVE:</b>   <b>ORDER NO.:</b> <b>SUBMITTED BY:</b> <b>APPROVED BY:</b>	<b>DATE:</b> <b>DATE:</b> <b>DATE:</b>
---	--	--



# 5-13SC

## Marlow Series 530

### Close-Coupled Centrifugal Pumps

**SPECIFICATIONS**

FLOW \_\_\_\_\_ HEAD \_\_\_\_\_

HP \_\_\_\_\_ RPM \_\_\_\_\_

VOLTS \_\_\_\_\_

CYCLE \_\_\_\_\_ PHASE \_\_\_\_\_

ENCLOSURE \_\_\_\_\_

APPROX. WEIGHT \_\_\_\_\_

SPECIALS \_\_\_\_\_

\_\_\_\_\_

**MATERIALS OF CONSTRUCTION**

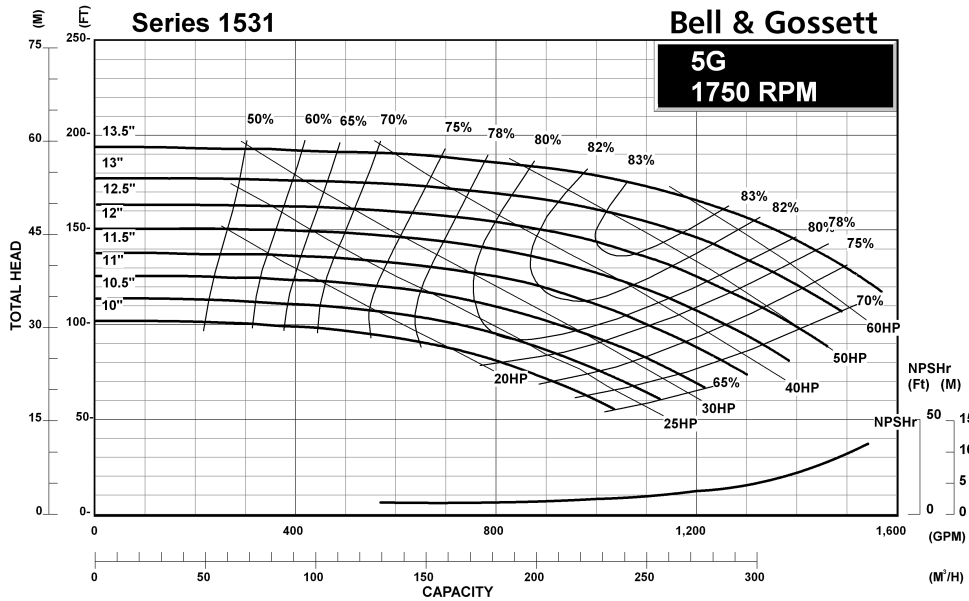
BRONZE FITTED

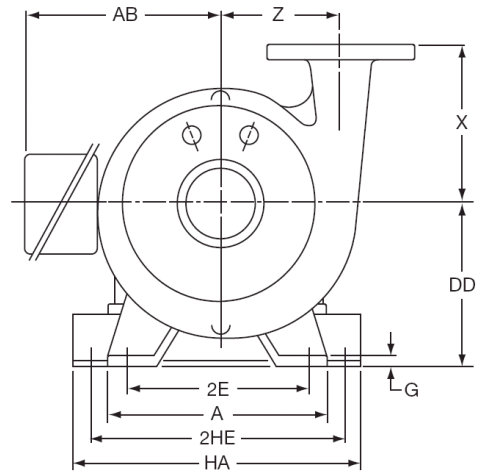
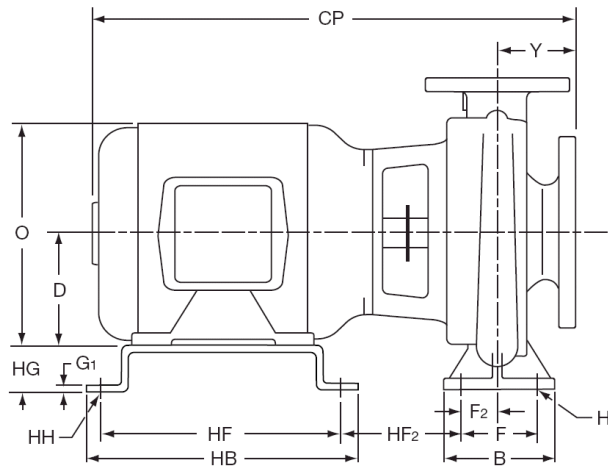
**MAXIMUM WORKING PRESSURE**

175 psi (12 bar) W.P.  
with 125# ANSI flange drilling

**TYPE OF SEAL**

- 1531 Standard Seal  
(Buna-Carbon/Ceramic)
- 1531 -F Standard Seal w/ Flush Line  
(Buna-Carbon/Ceramic)
- 1531 -S Stuffing Box construction w/ Flushed  
Mechanical Single Seal  
(EPR-Tungsten Carbide/Carbon)
- 1531 -D Stuffing Box construction w/ Flushed  
Double Mechanical Seal  
(EPR-Carbon/Ceramic)  
Requires external water source
- 1531 -PF Stuffing Box Construction  
w/ Flushed Packing  
(Graphite Impregnated Teflon)





SIZE OF PUMP AND DISCHARGE	SUCTION	PUMP DIMENSIONS IN INCHES (MM)			
		DD	X	Y	Z
5-13SC	6	12 (305)	13 (330)	6 (152)	9 (229)

125# ANSI FLANGE DIMENSIONS - INCHES (MM)				
PIPE SIZE OF FLANGE	O.D. OF FLANGE	DIA. OF BOLT CIRCLE	NO. OF BOLTS	SIZE OF BOLTS
5	10-3/4 (273)	8-1/2 (216)	8	3/4 (19)
6	12-1/8 (308)	9-1/2 (241)	8	3/4 (19)

DIMENSIONS – Inches (mm)

STANDARD SEAL

MOTOR FRAME	A	AB	HB	CP	D	HF	G	G1	H	HH	HA	F2	2E	2HE	HF2	B	F	O	HG
254JP	23 (584)	8 (203)	16.125 (410)	30.81 (782)	6.25 (159)	14.88 (378)	1 (25)	0.25 (6)	0.88 (22)	0.62 (16)	22.25 (565)	4.19 (106)	21 (533)	21 (533)	4.56 (116)	11 (279)	9 (229)	10.88 (276)	5.75 (146)
256JP	23 (584)	8.94 (227)	16.125 (410)	32.69 (830)	6.25 (159)	14.88 (378)	1 (25)	0.25 (6)	0.88 (22)	0.62 (16)	22.25 (565)	4.19 (106)	21 (533)	21 (533)	6.25 (159)	11 (279)	9 (229)	12.94 (329)	5.75 (146)
284JP	23 (584)	11.5 (292)	20.25 (514)	32.88 (835)	7 (178)	18.25 (464)	1 (25)	0.25 (6)	0.88 (22)	0.75 (19)	23 (584)	4.19 (106)	21 (533)	21 (533)	3.25 (82)	11 (279)	9 (229)	13.88 (352)	5 (127)
286JP	23 (584)	11.5 (292)	20.25 (514)	34.38 (873)	7 (178)	18.25 (464)	1 (25)	0.25 (6)	0.88 (22)	0.75 (19)	23 (584)	4.19 (106)	21 (533)	21 (533)	4.75 (121)	11 (279)	9 (229)	13.88 (352)	5 (127)
324JP	23 (584)	14.06 (357)	19 (483)	34.81 (884)	8 (203)	17.5 (445)	1 (25)	0.25 (6)	0.88 (22)	0.62 (16)	22.5 (571)	4.19 (106)	21 (533)	21 (533)	4.94 (125)	11 (279)	9 (229)	15.94 (405)	4 (102)
326JP	23 (584)	14.06 (357)	19 (483)	36.31 (922)	8 (203)	17.5 (445)	1 (25)	0.25 (6)	0.88 (22)	0.62 (16)	22.5 (571)	4.19 (106)	21 (533)	21 (533)	6.44 (163)	11 (279)	9 (229)	15.94 (405)	4 (102)

Dimensions are subject to change. Not to be used for construction purposes unless certified.

Xylem Inc.  
 8200 N. Austin Avenue  
 Morton Grove, IL 60053  
 Phone: (847)966-3700  
 Fax: (847)965-8379  
 www.gouldswatertechnology.com

