



WEHT Series

Model 3885HT

Submersible High Temperature Sump Pumps

Description

The Goulds Water Technology WE Series Submersible Effluent Pump Model 3885HT is specifically designed for on-site wastewater treatment for light commercial and residential wastewater high temperature applications. This premium legacy pump provides industry-leading benefits and is backed by over 170 years of dedicated service and support that you can trust.

Features

Impeller: Cast iron, semi-open, non-clog with pump-out vanes for mechanical seal protection. Balanced for smooth operation. Silicon bronze impeller available as an option.

Casing: Cast iron volute type for maximum efficiency. 2" NPT discharge.

Mechanical seal: Silicon Carbide vs. Silicon Carbide sealing faces. Stainless steel metal parts, BUNA-N elastomers.

Shaft: Corrosion-resistant, stainless steel. Threaded design. Locknut on all models to guard against component damage on accidental reverse rotation.

Fasteners: 300 series stainless steel.

Temperature rating 200°F for continuous operation when fully submerged.

Capable of running dry without damage to components.

Applications

Specifically designed for the following uses:

- Boiler blow down, high temp condensate

Specifications

Pump

- Solids handling capabilities: $\frac{3}{4}$ " maximum
- Discharge size: 2" NPT
- Capacities: up to 70 GPM
- Total heads: up to 27 feet TDH
- Temperature:
200°F (93°C) continuous, fully submerged
- See order numbers on reverse side for specific HP, voltage and phase.
- Available with 1½" connection and high temp float if required. See model chart on page 3.

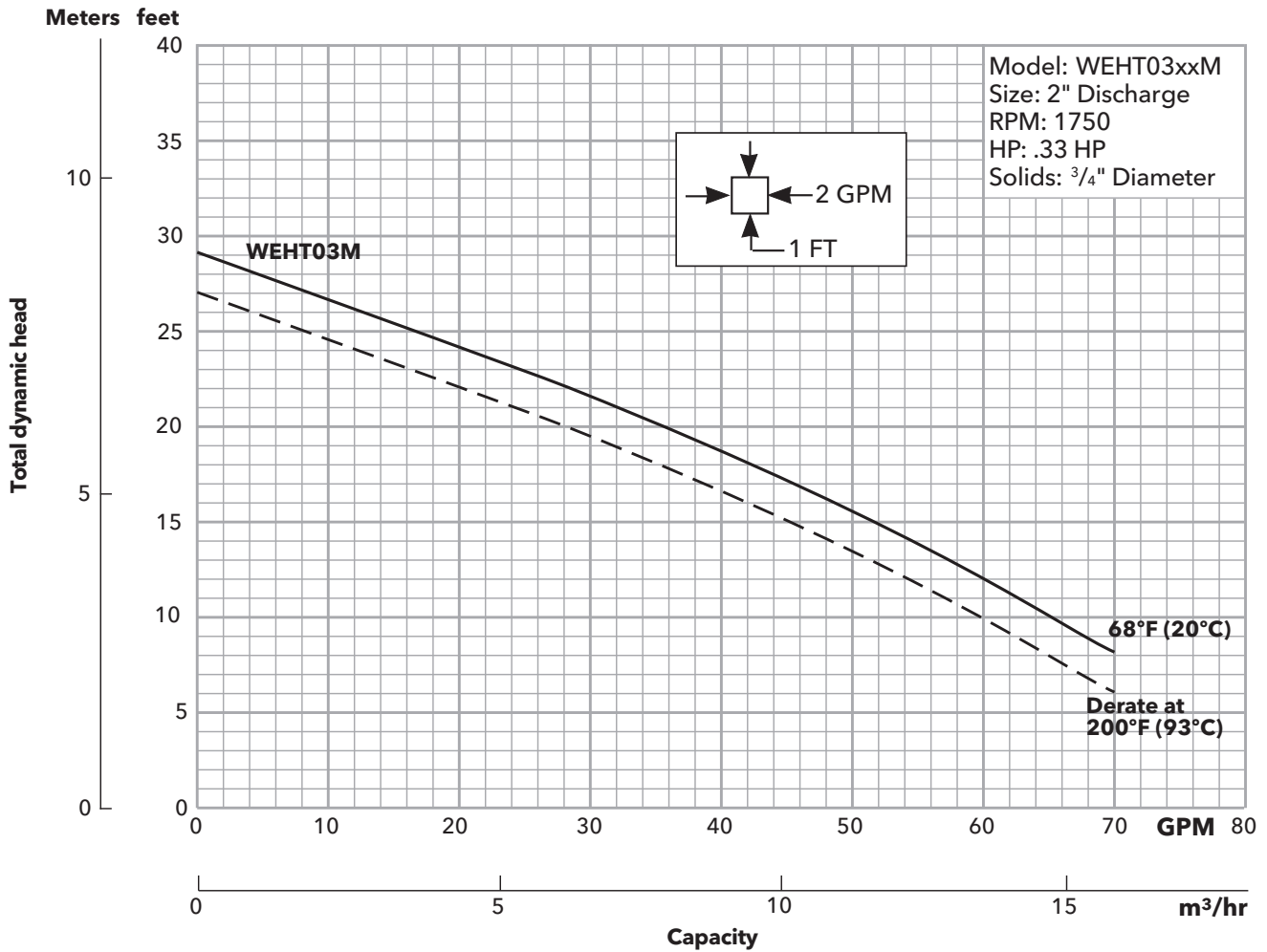
Motors

- Fully submerged in high-grade turbine oil for lubrication and efficient heat transfer.
- Class B insulation

Single-phase (60 Hz):

- Capacitor start motors for maximum starting torque.
- Built-in overload with automatic reset.
- SJ00W severe duty oil and water resistant power cords, rated for high temperature.
- Models have NEMA three prong grounding plugs.

Performance curves

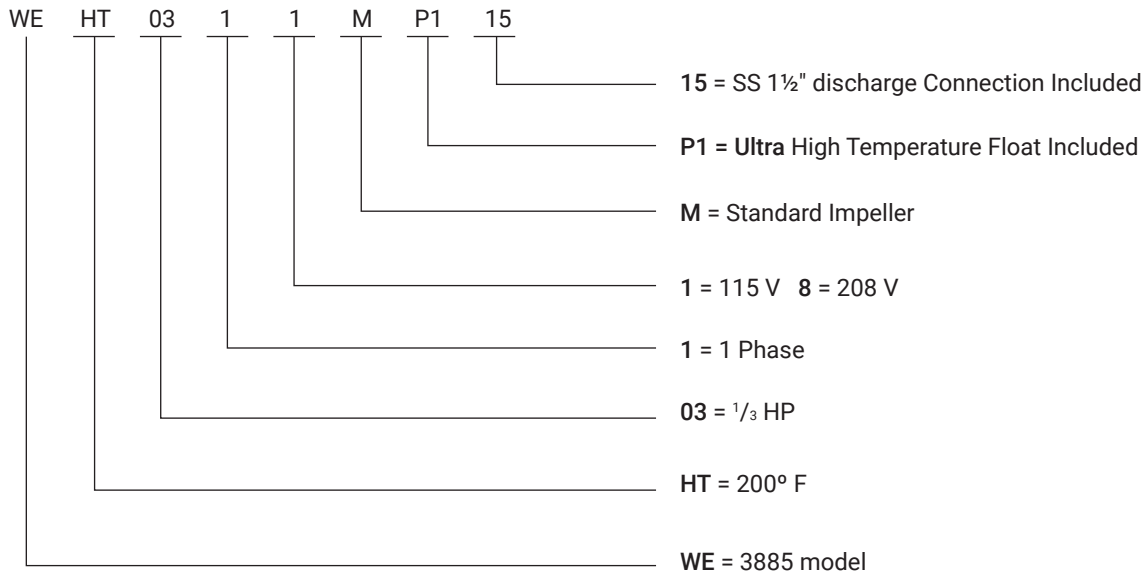


Models

Order number	HP	Phase	Volts	RPM	Impeller dia. in.(mm.)	Max. amps	LRA	KVA code	Full load motor Eff.	Resistance		Wt. lbs. (kgs.)	Operation	Discharge
										Start	Line-line			
WEHT0311M	1/3	1	115	1750	5.38 (136.7)	12	31.1	J	55	9.3	1.4	56 (25)	Manual	2"
WEHT0318M			208			7.3	19.5	K	51	9.1	4.2			
WEHT0311M15			115			12	31.1	J	55	9.3	1.4			1 1/2"
WEHT0318M15			208			7.3	19.5	K	51	9.1	4.2			
WEHT0311MP1			Automatic Float Included			115	12	31.1	J	55	9.3		1.4	2"
WEHT0318MP1						208	7.3	19.5	K	51	9.1		4.2	
WEHT0311MP115						115	12	31.1	J	55	9.3		1.4	1 1/2"
WEHT0318MP115						208	7.3	19.5	K	51	9.1		4.2	

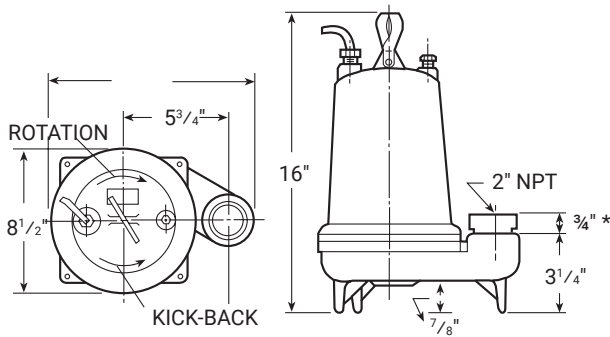
Accessory part numbers: A2SJRHT31 – 115V and A2SJRHT32 – 208V (ultra high-temperature float switch)

Nomenclature



Dimensions

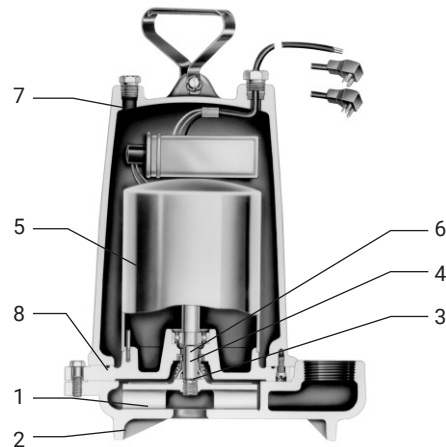
(All dimensions are in inches. Do not use for construction purposes.)



* 2" x 1 1/2" adapter if used

Components

Item no.	Description
1	Impeller
2	Casing
3	Mechanical seal
4	Motor shaft
5	Motor
6	Ball bearings
7	Power cable
8	Casing o-ring



Xylem Inc.
 2881 East Bayard Street Ext.,
 Suite A
 Seneca Falls, NY 13148

Phone: (866) 325-4210
 Fax: (888) 322-5877
www.xylem.com/goulds

This information is subject to change without notice. All information presented herein is believed reliable and in accordance with accepted engineering practices. Xylem makes no warranties as to the completeness of this information. Users are responsible for evaluating individual product suitability for specific applications. Xylem assumes no liability whatsoever for any special, indirect or consequential damages arising from the sale, resale or misuse of its products.

© 2025 Xylem is a registered trademark of Xylem Inc. or one of its subsidiaries. Goulds Water Technology is a registered trademark of ITT Manufacturing Enterprises LLC and is used under license. All other trademarks or registered trademarks are the property of their respective owners.