



 **REDJACKET SERIES**
Quick-Set™

RJA CONVERTIBLE (DEEP/SHALLOW WELL) JET PUMP



FEATURES

Manual regulator provided with deep well packages. Corrosion and abrasion resistant.

Shipping and carrying weight of the Quick-Set Jet is less than most conventional brands because heavy bolt-on or cast-on injectors are eliminated.

Quick-Set shallow well injector is resistant to wear and corrosion. They won't swell in water like components made of nylon, so you can count on constant performance. For deep well application, a deep well injector must be installed in the well.

Motor provides longlasting operation and easy replacement. Available in three horsepower versions - ½, ¾ and 1 HP. Bug-proof and sand-proof motor casing assures longer lasting operation.

Completely convertible case fits ½, ¾ and 1 HP models.

Rynite® diffuser is sealed to provide optimum corrosion and abrasion resistance. Warpage due to high temperatures is virtually eliminated.

20% glass-filled Noryl® impeller is corrosion, abrasion and heat resistant.

QUICK-SET SHALLOW WELL PERFORMANCE RATINGS

Model	HP	Total Suction Lift (Feet)	Injector Style	Shallow Well Kit	Approximate Capacity (GPM) at Discharge Pressures					Shut-Off PSI	Pressure Switch Setting	Suction and Disch. Size
					20 PSI	30 PSI	40 PSI	50 PSI	60 PSI			
50RJA	½	5	High Pressure	1440795	9.0	8.7	8.3	7.2	4.4	78	20-40	1¼" x 1"
			High Capacity	1440805	16.6	16.5	11.7	5.0	-	57		
		15	High Pressure	1440795	6.6	6.5	6.3	6.0	3.6	75		
			High Capacity	1440805	12.4	12.3	9.0	2.5	-	53		
		25	High Pressure	1440795	4.4	4.4	4.4	4.2	2.2	69		
			High Capacity	1440805	7.5	7.4	5.0	-	-	48		
75RJA	¾	5	Combination	1440815	22.0	21.6	16.2	9.6	3.2	64	30-50	1¼" x 1"
		15			16.8	16.3	13.8	6.4	-	59		
		25			9.5	9.4	8.8	3.2	-	54		
100RJA	1	5	Combination	1440815	22.7	22.5	21.6	16.0	9.7	74	30-50	1¼" x 1"
		15			17.2	16.6	15.7	12.8	6.4	69		
		25			10.1	9.9	9.7	9.0	3.6	64		

The Quick-Set Jet is designed and manufactured with engineered simplicity in mind. Red Jacket Water Products has built in high performance, low energy consumption and special features that can substantially reduce installation time. The easy-to-stock Quick-Set components convert the Quick-Set Jet to deep or shallow well applications in minutes. Low pressure/high volume or high pressure/low volume settings can be made by simply selecting the right component and screwing it into the case. There are no more bulky bolt-on injectors or heavy jets with cast-iron injectors to wrestle with. The Quick-Set Jet also features a lightweight, streamlined case with two discharge openings making the pump easily adaptable to existing installation configurations.

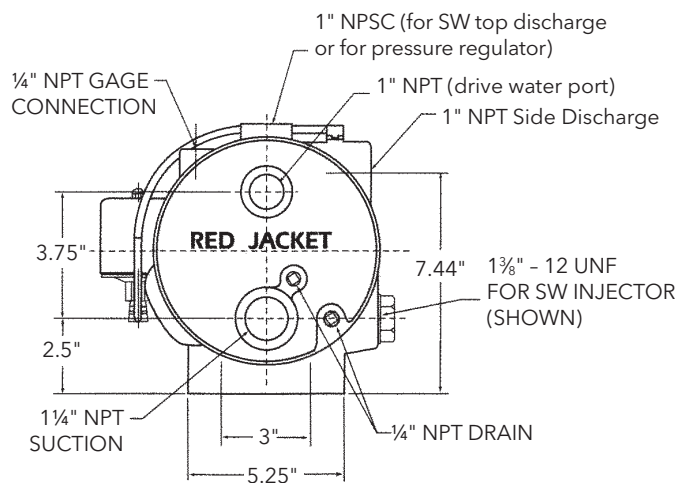
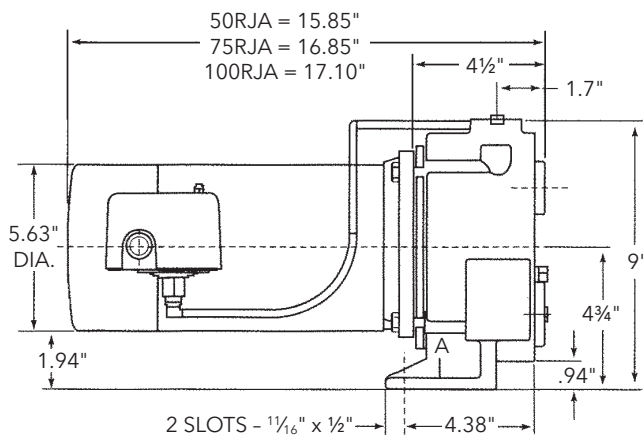
QUICK-SET DEEP WELL PERFORMANCE RATINGS - GALLONS PER MINUTE

4" Double (Twin) Pipe			Depth to Jet Assembly (Minimum 5' Submergence)											Press. Control Valve Setting	Press. Switch Setting	Suction and Disch. Size					
Model	HP	Injector	30'	40'	50'	60'	70'	80'	90'	100'	110'	120'	130'								
50RJA	½	E104DB	13.2	10.4	8.0	6.0	4.4	4.2	3.3	2.6	2.1	1.2		27	20-40	1¼" x 1"					
		E254DB					5.3							3.0			2.4	31			
75RJA	¾	E114DB	15.5	12.1	9.3	7.6	6.5	5.4	4.1	3.0	3.2	2.4		30	30-50	1¼" x 1"					
		E244DB												4.0			3.0	31			
		E134DB												4.0			3.2	2.4	31		
100RJA	1	E164DB	15.5	12.5	9.7	8.0	7.2	6.2	5.2	4.0	3.0	2.4	1.9	1.2	35	30-50	1¼" x 1"				
		E154DB													3.5			3.0	2.4	38	
		E144DB													3.5			3.0	2.4	1.9	1.2
2" Single Pipe (Packer System)																					
50RJA	½	A132DB	13.4	10.7	8.0	5.8	5.3	4.4	3.4	2.6	1.7			27	20-40	1¼" x 1"					
		A122DB												4.4			3.4	2.6	1.7	28	
75RJA	¾	A142DB	13.4	11.0	8.7	7.8	6.4	5.0	3.5	3.2	2.6	2.0	1.0		30	30-50	1¼" x 1"				
		A102DB													3.2			2.6	2.0	1.0	32
		A152DB													3.2			2.6	2.0	1.0	30
100RJA	1	A162DB	15.3	12.2	9.4	6.6	6.4	5.2	4.0	2.9	3.1	2.3	1.5		38	30-50	1¼" x 1"				
		A172DB													3.1			2.3	1.5	39	
		A182DB													3.1			2.3	1.5	39	

NOTE: Deep Well Conversion Kit 1441315 is required when using the RJA for deep well applications.

Contents: Pressure gauge, regulator valve and plug.

DIMENSIONS



Xylem |'zīləm|

- 1) The tissue in plants that brings water upward from the roots;
- 2) a leading global water technology company.

We're a global team unified in a common purpose: creating advanced technology solutions to the world's water challenges. Developing new technologies that will improve the way water is used, conserved, and re-used in the future is central to our work. Our products and services move, treat, analyze, monitor and return water to the environment, in public utility, industrial, residential and commercial building services, and agricultural settings. With its October 2016 acquisition of Sensus, Xylem added smart metering, network technologies and advanced data analytics for water, gas and electric utilities to its portfolio of solutions. In more than 150 countries, we have strong, long-standing relationships with customers who know us for our powerful combination of leading product brands and applications expertise with a strong focus on developing comprehensive, sustainable solutions.

For more information on how Xylem can help you, go to www.xylem.com



Xylem Inc.
2881 East Bayard Street Ext., Suite A
Seneca Falls, NY 13148
Phone: (866) 325-4210
Fax: (888) 322-5877
goulds.com/red-jacket

Red Jacket Water Products and Quick-Set are trademarks of Xylem Inc. or one of its subsidiaries. Goulds is a registered trademark of Goulds Pumps, Inc. and is used under license. Noryl is a registered trademark of GE Plastic. Rynite is a trademark of Dupont.

© 2021 Xylem Inc. BRJQUICK R4 February 2021