



**FEATURES**

**Casing:** Corrosion resistant AISI 304 SS designed for long lasting performance.

**Impeller:** AISI type 304 stainless steel construction; two vane non-clog design for maximum pumping efficiency.

**Mechanical Seal:** Drive lube silicon carbide sealing faces; all metal components of AISI type 300 stainless steel running in protected oil chamber.

**Elastomers:** BUNA-N

**Pump Support Feet:** Motor Shell and Lifting Handle: Constructed of AISI type 304 series stainless steel.

**Shaft:** AISI type 304 stainless steel high strength pump shaft with keyed and locking cap screw impeller fastening.

**Discharge:** 1½" and 2" NPT for horizontal connection to rigid, flexible or guide rail piping connection.

Power cord is 20 feet long

 **REDJACKET SERIES**

**1NS/2NS**

**SUBMERSIBLE SEWAGE PUMP**

**1½" & 2" NPT DISCHARGE, 1⅜" & 2" SOLIDS HANDLING WASTEWATER**

### APPLICATIONS

Non-clog submersible sewage pumps for simplex and duplex installations in small lift stations, drainage systems or raw water applications requiring solids handling capability of 1 $\frac{3}{8}$ " and 2" diameter made specifically for:

- Homes and farms
- Mobile home parks and motels
- Schools and hospitals
- Municipal package systems
- Industrial treatment systems
- Dewatering applications

### MOTOR FEATURES

**Single phase:** 60 Hz, 3450 RPM,  $\frac{1}{2}$  HP, 115V;  $\frac{1}{2}$  to 1 HP, 230V.

**Three phase:** 60 Hz, 3450 RPM,  $\frac{1}{2}$  to 1 $\frac{1}{2}$  HP, 230 and 460V.

Non-overloading.

Air-filled, class F insulated motor.

**Thermal overload protection:** built-in with automatic reset on single phase, 115 V and 230 V models.

Three phase models require external overload in panel.

**Power cord:** 20 feet long. Single phase 115 V and 230 V models are supplied with molded NEMA three prong grounding plug. 115 V models include a capacitor box built into the cord assembly. Three phase models are supplied with bare leads.

**Float controls:** optional, see accessory section for simplex or duplex system requirements.

### SPECIFICATIONS

#### Pump:

- 1 $\frac{1}{2}$ " discharge on  $\frac{1}{2}$  HP
- 2" discharge on  $\frac{3}{4}$  HP and larger
- Solid size: 1 $\frac{3}{8}$ " solids on  $\frac{1}{2}$  HP; 2" solids on  $\frac{3}{4}$  HP and larger
- Capacities: to 175 U.S. GPM (41 m<sup>3</sup>/h)
- Total heads: to 47 feet TDH (14 m)
- Temperature:
  - 104°F (40°C) continuous
  - 140°F (60°C) intermitten
- Maximum submergence: to 17 feet (5 m)
- Continuous duty rated, non-overloading motor

### MOTOR INFORMATION

#### General:

Class "F" insulation

Air-filled design

#### Single Phase:

Built-in automatic reset overload

115 V - .5 HP

230 V - .5-1 HP

#### Three Phase:

Overloads required in control panel

230 V - .5-1.5 HP

460 V - .5-1.5 HP

### COMPONENTS

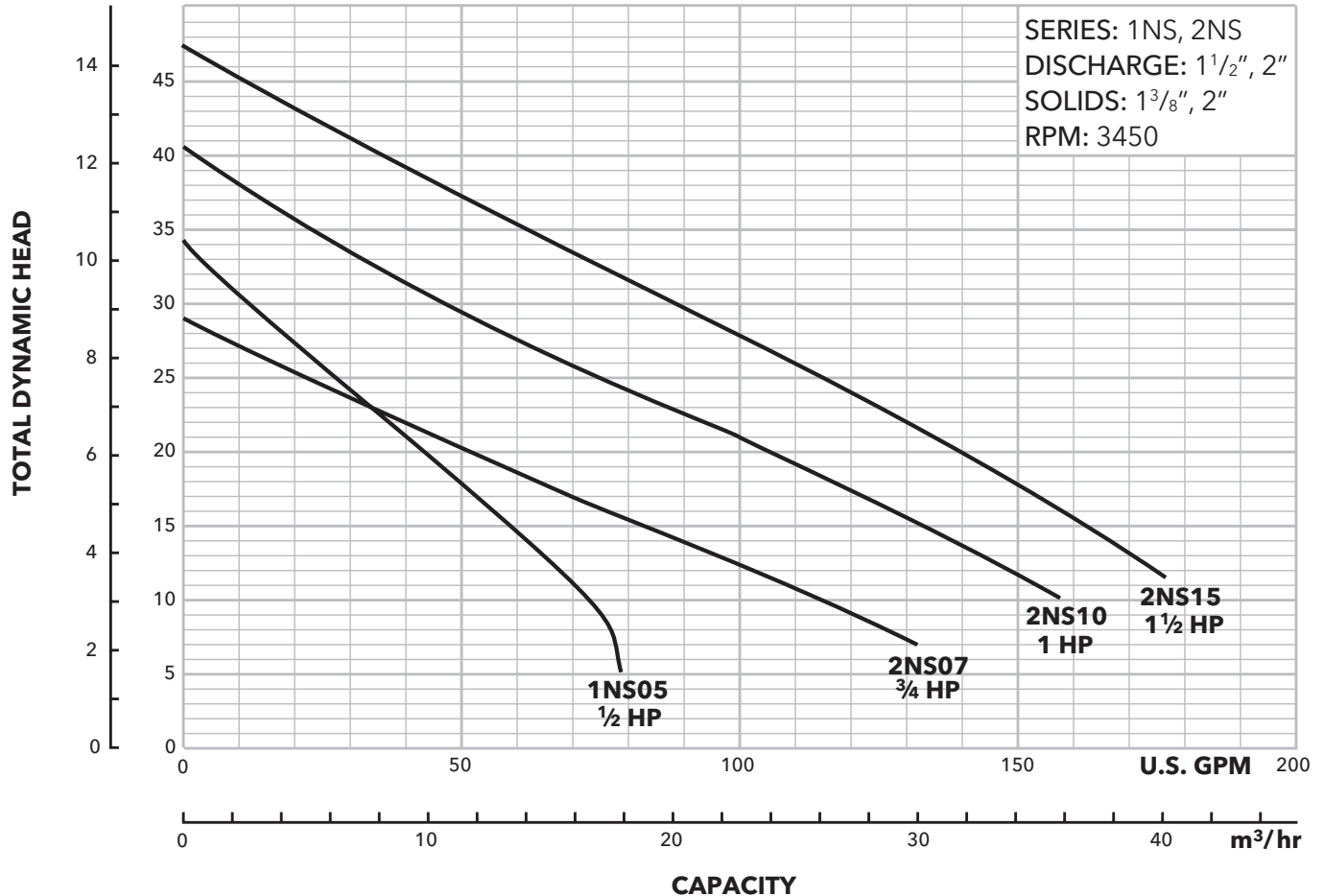
Component	Material
Pump body and motor casing	Stainless steel (AISI 304)
Impeller	Stainless steel (AISI 304)
Lower mechanical seal	Silicon carbide/silicon carbide
Upper lip seal	Nitrile rubber
Motor Shaft	Stainless steel (AISI 304)
Handle	Nylon

### MODEL INFORMATION

Order Number	HP	Volts	Phase	RPM	Maximum Amps	Start Amps	Capacitor uF/V	Resistance Start/ Line-Line	Cord Length	Discharge Connection	Solids	Weight (Lbs.)	
1NS0511	1/2	115	1	3450	9.8	51.0	70/250	1.6 / 0.6	20'	1 1/2"	1 3/8"	22	
1NS0512		230			3	4.2	26.3	20/450					5.9 / 2.6
1NS0532		460	3			2.3	14.6	NA					NA / 11.7
1NS0534					1.2	7.5	NA	NA / 14.7					
2NS0712	3/4	230	1		5.4	27.2	22/450	4.4 / 1.9		2"	2"	2"	30
2NS0732		460	3		3.4	24.9	NA	NA / 6.0					
2NS0734					1.7	12.7	NA	NA / 7.8					
2NS1012	1	230	1		7.0	30.6	30/450	4.2 / 1.9		2"	2"	2"	34
2NS1032			3		4.4	29.8	NA	NA / 5.3					
2NS1034		460			3	2.2	15.2	NA					NA / 6.6
2NS1532			1 1/2			230	3	5.6					39.2
2NS1534	460	3			2.8	19.9	NA	NA / 4.8					

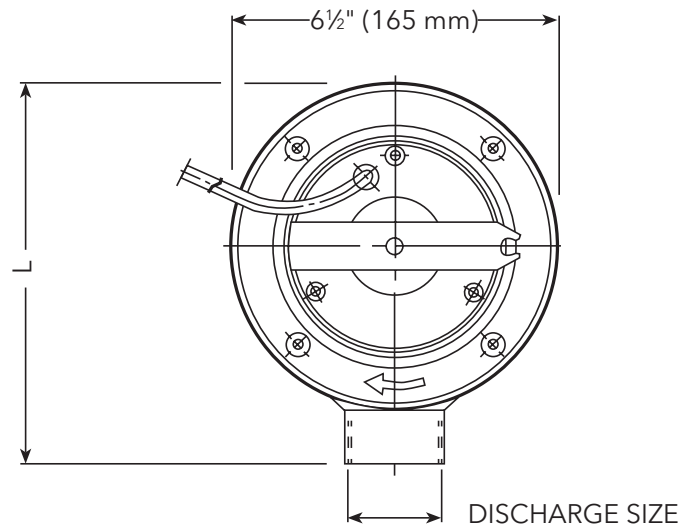
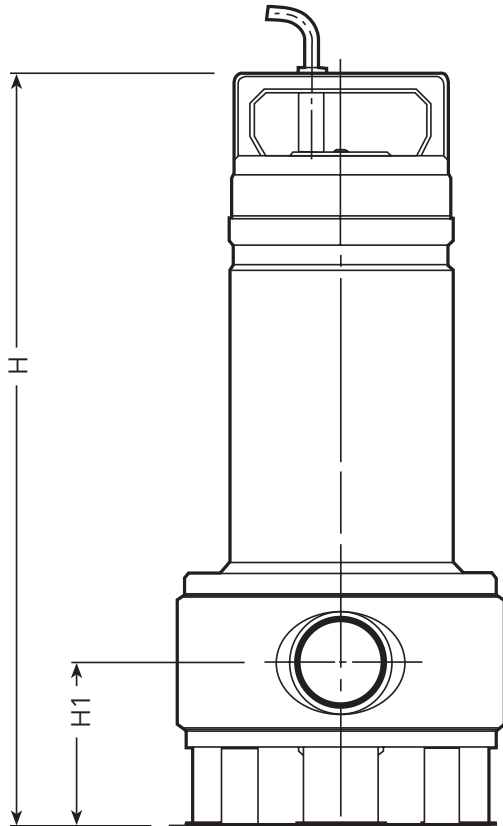
### PERFORMANCE CURVE

METERS FEET



## DIMENSIONS

Series	HP	Phase	Dimensions in inches (mm)			Discharge Size	Wt. (lbs.)
			H	H1	L		
1NS	½	3	15¾ (391)	3½ (88)	7½ (193)	1½"	20
		1					22
2NS	¾	3	17¼ (438)	4¾ (111.5)	7¾ (198)	2"	25
		1	18 (458)				30
	3	30					
	1	1	18⅜ (478)				34
		3					32



**xylem**  
Let's Solve Water

Xylem Inc.  
2881 East Bayard Street Ext., Suite A  
Seneca Falls, NY 13148  
Phone: (866) 325-4210  
Fax: (888) 322-5877  
goulds.com/redjacket

Red Jacket Water Products is a trademark of Xylem Inc. or one of its subsidiaries. Goulds is a registered trademark of Goulds Pumps, Inc. and is used under license.

© 2017 Xylem Inc. BRJNS R1 January 2017