



 **REDJACKET SERIES**

REC

SUBMERSIBLE EFFLUENT PUMP

FEATURES

REC04 Impeller: Thermoplastic semi-open design with pump out vanes for mechanical seal protection.

REC05 Impeller: Thermoplastic enclosed design for improved performance.

Casing and Base: Rugged thermoplastic design provides superior strength and corrosion resistance.

Motor Housing: Cast iron for efficient heat transfer, strength and durability.

Motor Cover: Thermoplastic cover with integral handle and float switch attachment points.

Power Cable: Severe duty rated oil and water resistant.

Bearings: Upper and lower heavy duty ball bearing construction.

AGENCY LISTINGS



Tested to **UL 778** and **CSA 22.2 108** Standards
By **Canadian Standards Association**
File #**227637**

APPLICATIONS

Specifically designed for the following uses:

- Effluent systems
- Homes
- Farms
- Heavy duty sump
- Water transfer
- Dewatering

SPECIFICATIONS

- Solids handling capability: ¾" maximum.
- Capacities: up to 60 GPM.
- Total heads: up to 31 feet.
- Discharge size: 1½" NPT.
- Mechanical seal: carbon-rotary/ceramic-stationary, BUNA-N elastomers.
- Temperature:
104° F (40° C) continuous
140° F (60° C) intermittent.

- Fasteners: 300 series stainless steel.
- Capable of running dry without damage to components.

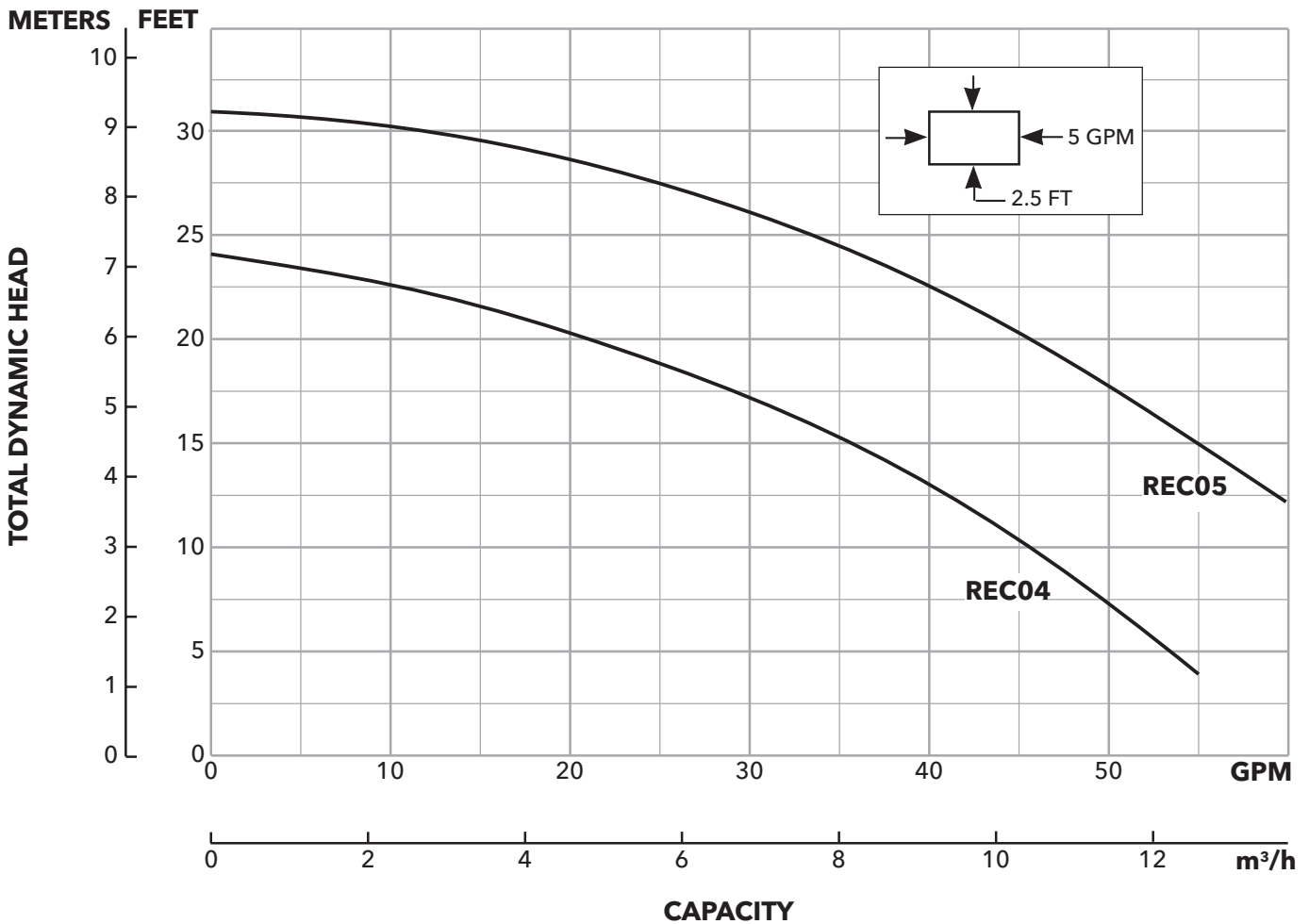
Motor:

- REC04 Single phase: 0.4 HP, 115 or 230 V, 60 Hz, 1550 RPM, built in overload with automatic reset.
- REC05 Single phase: 0.5 HP, 115 V or 230V, 60 Hz, 1550 RPM, built in overload with automatic reset.
- Power cord: 10 foot standard length, 16/3 SJTW with three prong grounding plug. Optional 20 foot length, 16/3 SJTW with three prong grounding plug (standard on REC05).
- Fully submerged in high grade turbine oil for lubrication and efficient heat transfer.
- Class "B" insulation

Available for automatic and manual operation. Automatic models include Mechanical Float Switch assembled and preset at the factory.

MODEL INFORMATION

Order No.	HP	Volts	Amps	Minimum Circuit Breaker	Phase	Float Switch Style	Cord Length	Discharge Connection	Minimum On Level	Minimum Off Level	Minimum Basin Diameter	Maximum Solids Size	Shipping Weight lbs/kg	
REC0411	.4	115	12	20	1	Plug / No Switch	10'	1½"	Manual	Manual	15"	¾"	20 / 9.1	
REC0411A						Piggyback / Wide-Angle	10'	1½"	12"	6"	15"		21 / 9.5	
REC0411F						Plug / No Switch	20'	1½"	Manual	Manual	15"		20 / 9.1	
REC0411AC						Piggyback / Wide-Angle	20'	1½"	12"	6"	15"		21 / 9.5	
REC0412		230	6	10		Plug / No Switch	10'	1½"	Manual	Manual	15"		20 / 9.1	
REC0412F						Plug / No Switch	20'	1½"	Manual	Manual	15"		20 / 9.1	
REC0511F		.5	115	13		20	Plug / No Switch	20'	1½"	Manual	Manual		15"	22 / 10
REC0511AC							Piggyback / Wide-Angle	20'	1½"	12"	6"		15"	23 / 10.4
REC0512F	230		6.5	10	Plug / No Switch	20'	1½"	Manual	Manual	15"	22 / 10			



PERFORMANCE CHARTS

These charts show actual system performance with friction loss factored in for various pipe lengths. Calculations and performance based on a system with 1½" PVC, schedule 40 plastic pipe (C150), (4) 90° elbows, (1) check valve and (1) shut-off valve. Gray water requires a minimum scouring velocity of 13 gpm for 1½" pipe.

REC04

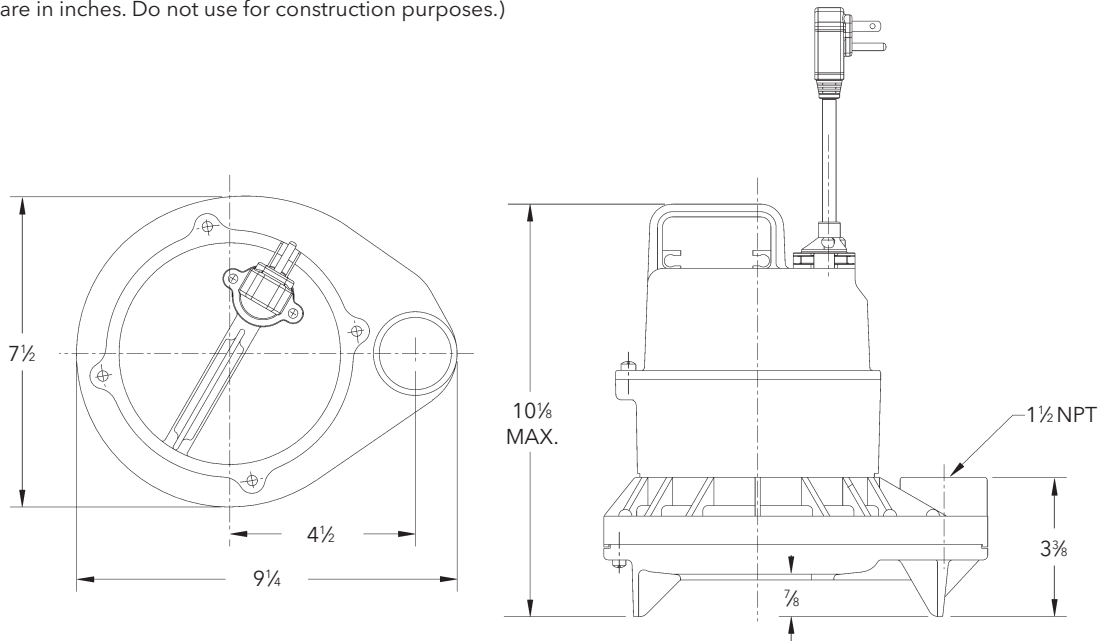
Pipe Length (Feet)	GPM									
	Vertical Head (Feet)									
	2	4	6	8	10	12	14	16	18	20
25	52	48	46	43	40	37	33	29	24	17
50	46	44	41	38	36	33	30	26	21	16
75	42	40	37	35	33	30	27	23	19	15
100	39	37	35	33	31	28	25	21	18	14
150	34	33	31	29	27	24	21	18	15	
200	31	29	28	26	24	22	19	17	14	
250	28	27	25	23	22	20	18	16	15	
300	26	25	23	22	20	18	16	14		

REC05

Pipe Length (Feet)	GPM								
	Vertical Head (Feet)								
	3	6	9	12	15	18	21	24	27
25	60	60	56	52	47	43	38	31	22
50	57	53	49	46	42	38	33	27	20
75	51	48	45	42	38	34	29	24	18
100	47	44	42	39	35	31	27	22	16
150	42	39	36	33	30	27	23	19	14
200	37	35	33	30	27	24	21	17	
250	34	32	29	27	24	22	19	15	
300	31	29	27	25	23	20	18	14	

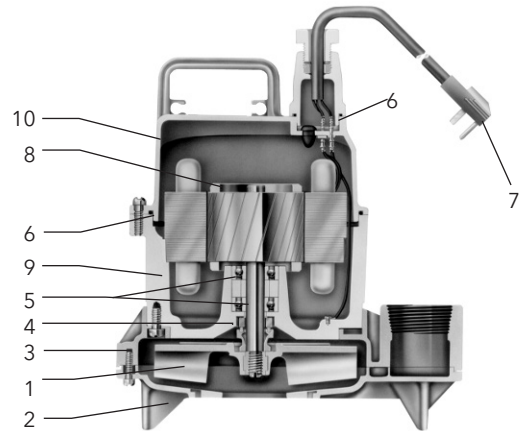
DIMENSIONS

(All dimensions are in inches. Do not use for construction purposes.)



COMPONENTS

Item No.	Description
1	Impeller
2	Rugged thermoplastic base
3	Rugged thermoplastic pump casing
4	Mechanical seal
5	Ball bearings
6	O-rings
7	Power cord
8	Oil filled motor
9	Cast iron motor housing/stator assembly
10	Thermoplastic motor cover



xylem
Let's Solve Water

Xylem Inc.
2881 East Bayard Street Ext., Suite A
Seneca Falls, NY 13148
Phone: (866) 325-4210
Fax: (888) 322-5877
goulds.com/redjacket

Red Jacket Water Products is a trademark of Xylem Inc. or one of its subsidiaries. Goulds is a registered trademark of Goulds Pumps, Inc. and is used under license.

© 2017 Xylem Inc. BRJREC R3 January 2017