



 **REDJACKET SERIES**

RSDS & RWC5P

SINK DRAIN SYSTEM & PACKAGED SEWAGE SYSTEM

RSDS FEATURES

Built in overload with automatic reset.

REC4, 0.4 HP, 3/4" solids handling pump.

A2H11 vertical level switch with 10 foot cord and piggy-back plug is UL and CSA listed.

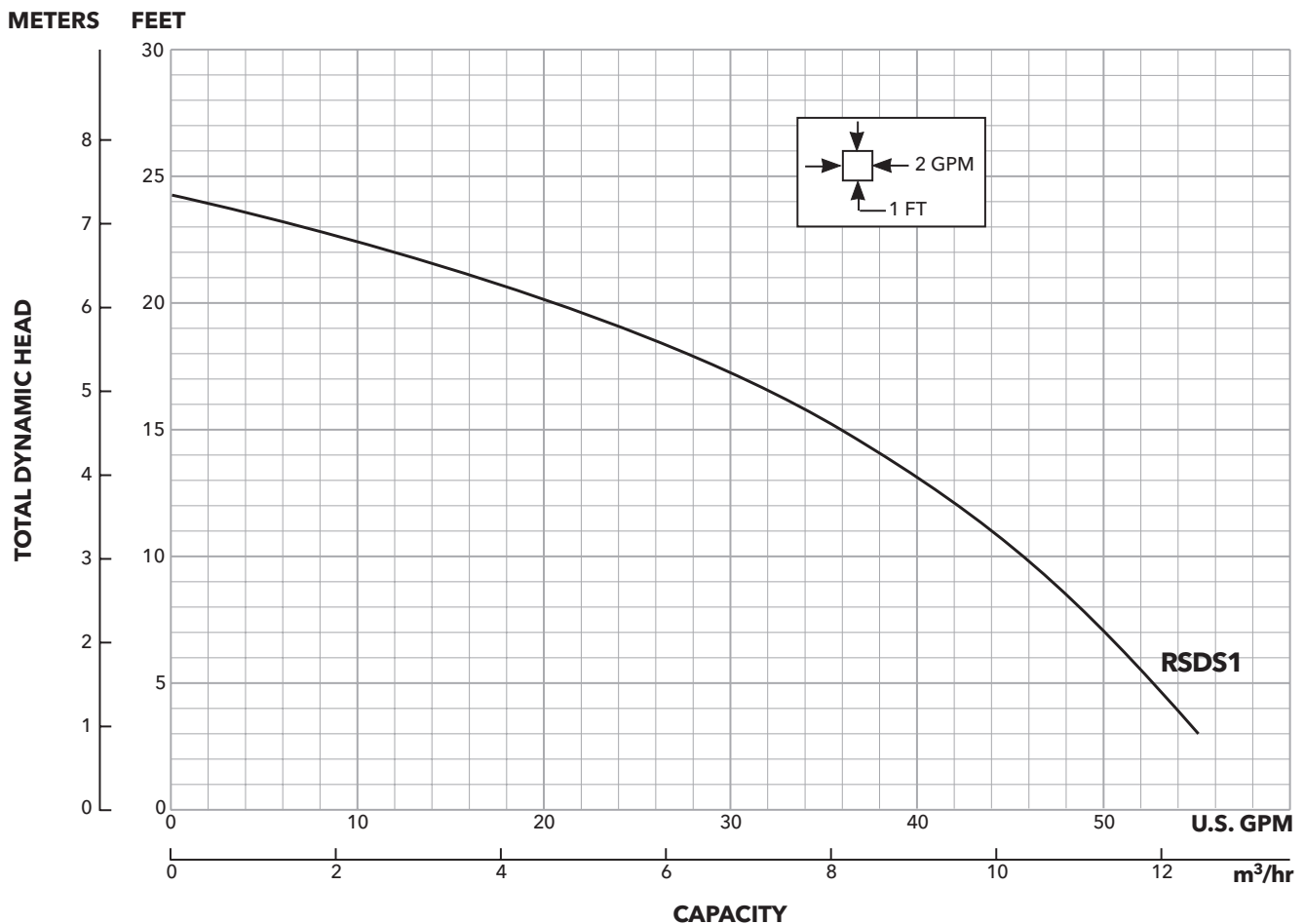
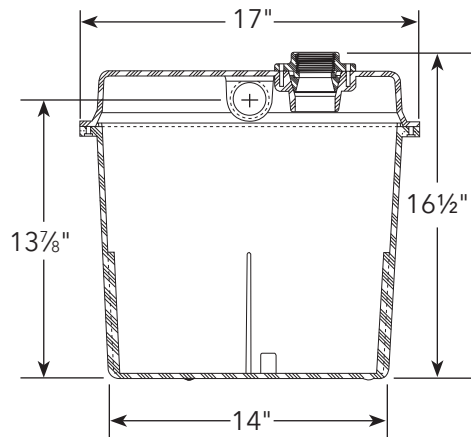
10 gallon structural foam basin and cover.

1 1/2" NPT threaded vent, discharge and inlet connections.

1 1/2" schedule 40 PVC discharge pipe (internal).

DIMENSIONS

(All dimensions are in inches and weights in lbs.
Do not use for construction purposes.)



Wastewater

RWC5P FEATURES

Fully assembled at factory for simplified handling and easy installation.

Torque stops located in tank base for stability of the installed pump.

Full vortex design impeller.

Piggy-back plug design allows for automatic or manual operation of pump.

Capable of running dry without damage to components.

RWC5*, ½ HP, 2" solids handling pump.

A2D31 mechanical tilt switch with 20' cord.

18" x 30" polyethylene roll top basin.

18" single piece, 14 gauge steel cover.

2" discharge connection.

Vent: 2" standard, 3" optional.

2" schedule 40 PVC discharge pipe.

Includes 2" flapper check valve.

For home, rural water districts, parks, dewatering, waste water and sewage lift station. Anywhere waste or drainage must be disposed of quickly, quietly and efficiently.

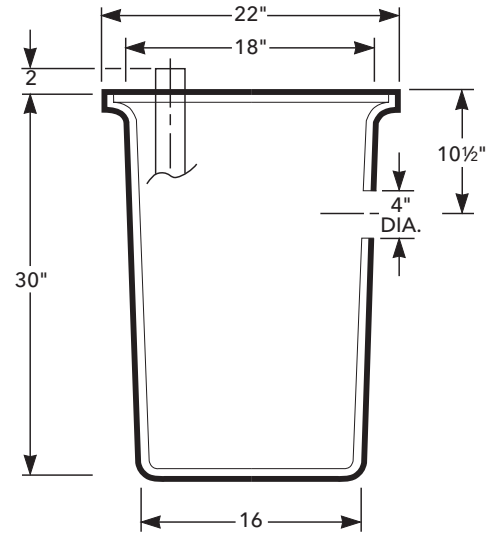
AGENCY LISTINGS



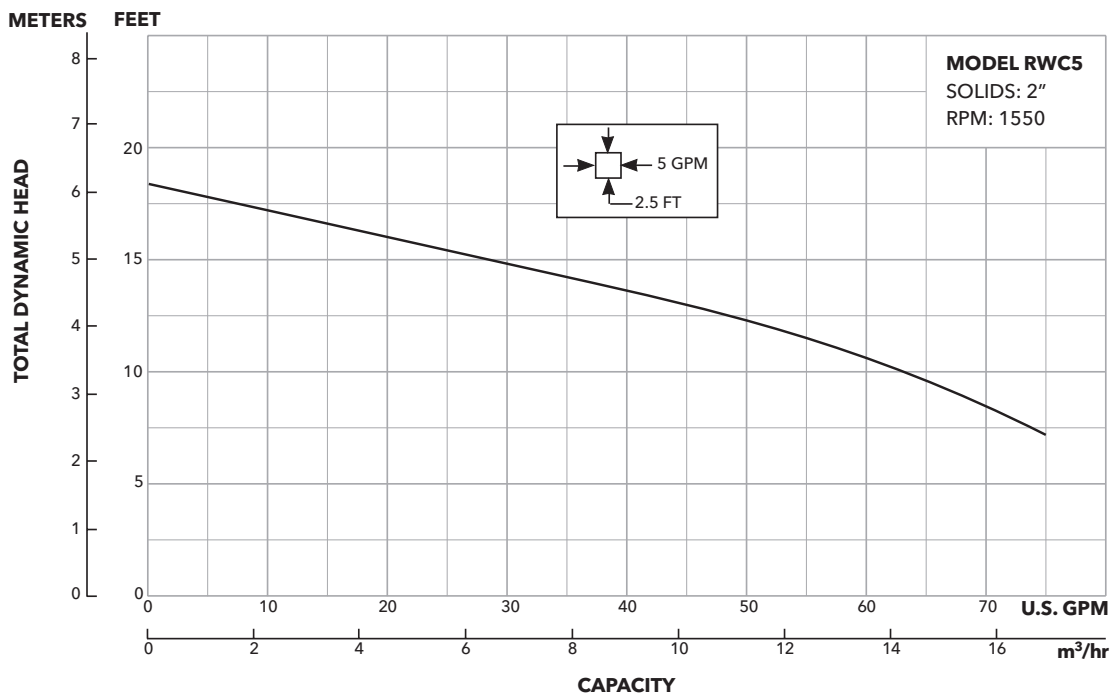
By Canadian Standards Association

DIMENSIONS

(All dimensions are in inches and weights in lbs. Do not use for construction purposes.)



Order No.	HP	Volts	Max. Amps	Discharge	Vent	Wt. (lbs.)
RWC5P	½	115	13.0	2"	2"	46
RWC5P3					3"	



Xylem |'zīləm|

- 1) The tissue in plants that brings water upward from the roots;
- 2) a leading global water technology company.

We're a global team unified in a common purpose: creating advanced technology solutions to the world's water challenges. Developing new technologies that will improve the way water is used, conserved, and re-used in the future is central to our work. Our products and services move, treat, analyze, monitor and return water to the environment, in public utility, industrial, residential and commercial building services, and agricultural settings. With its October 2016 acquisition of Sensus, Xylem added smart metering, network technologies and advanced data analytics for water, gas and electric utilities to its portfolio of solutions. In more than 150 countries, we have strong, long-standing relationships with customers who know us for our powerful combination of leading product brands and applications expertise with a strong focus on developing comprehensive, sustainable solutions.

For more information on how Xylem can help you, go to www.xylem.com



Xylem Inc.
2881 East Bayard Street Ext., Suite A
Seneca Falls, NY 13148
Phone: (866) 325-4210
Fax: (888) 322-5877
goulds.com/redjacket

Red Jacket Water Products is a trademark of Xylem Inc. or one of its subsidiaries. Goulds is a registered trademark of Goulds Pumps, Inc. and is used under license.

© 2017 Xylem Inc. BRJRSDS R2 February 2017