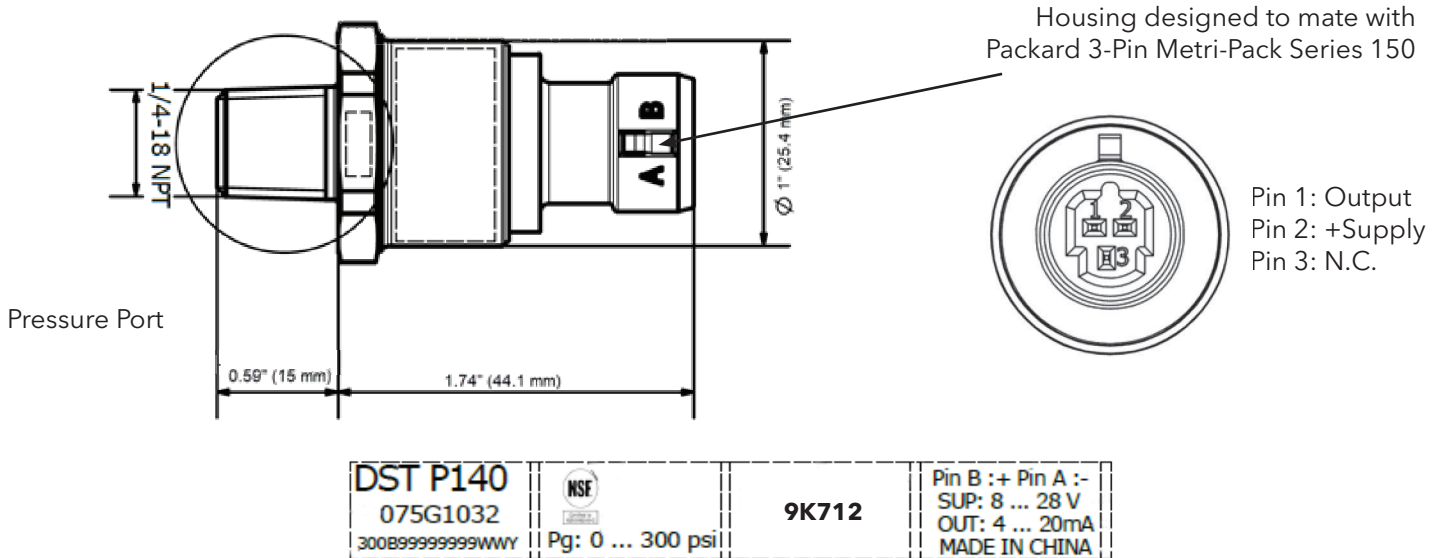


## 9K712 -300 PSI, 4-20mA Pressure Transducer



### SPECIFICATIONS

- Range (FS): 300 PSI Gauge
- Supply Voltage: 8-32Vdc
- Output: 4mA to 20mA
- Proof Pressure: 4x FS
- Burst Pressure: 5x FS
- Pressure Cycles Minimum: 10 million
- Accuracy @ 20C: < +/- 0.5% FS
- Non-Linearity: < +/- 0.5% FS
- Hysteresis and repeatability: < +/- 0.1% FS
- Total error band: < +/- 3% FS
- Operating Temperature: -40°C to 100°C
- Compensation Temp. Range: -0°C to 80°C
- Port Material: EN 10088-1; 1.4301 (AISI 304) and EN 10088-1; 1.4404 (AISI 316L)
- Housing Material: EN 10088-1; 1.4301 (AISI 304)
- Isolation Voltage Minimum: > 100 Mohm at 500 Vdc
- Weight: 0.15 - 0.30 kg
- Listings: NSF/ANSI 61, NSF/ANSI 372

### WIRING

- Pin 1: Output => White
- Pin 2: +Supply => Brown
- Pin 3: N.C.

### ANALOG SENSOR WIRING

