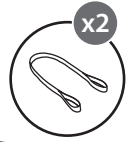


Quick Startup Guide



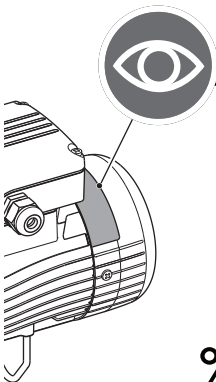
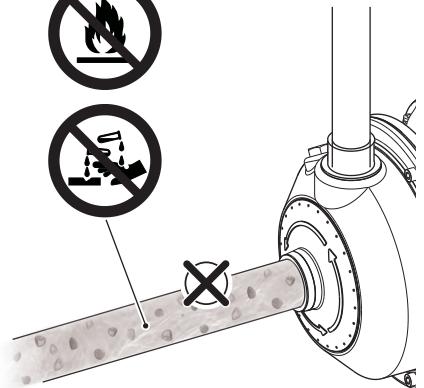
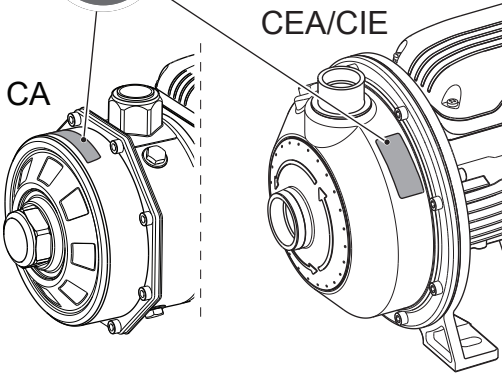
CEA, CIE, CA Series

Centrifugal electric pumps
with single and twin-impeller



CEA/CIE

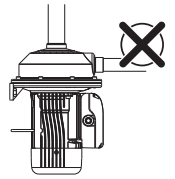
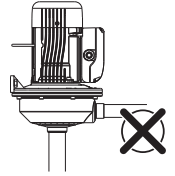
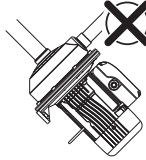
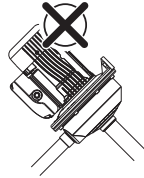
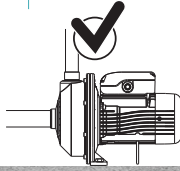
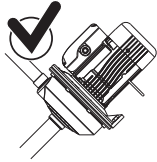
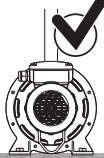
CA



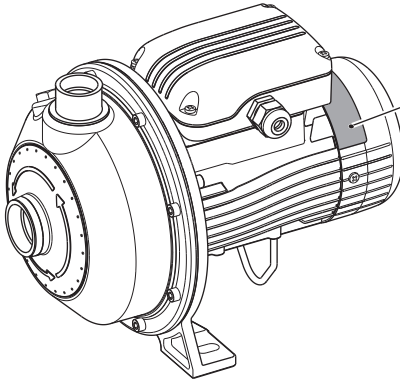
Mod. _____		Rep. No. _____		100000	
Diagraf	_____	Code	_____	V	_____
Ø	_____	IP	_____	Δ	_____
W	_____	MEB	_____	NO	_____
t max	_____ °C	PN	_____ kPa	kg	_____



% <50% @ 40°C (104°F)



1



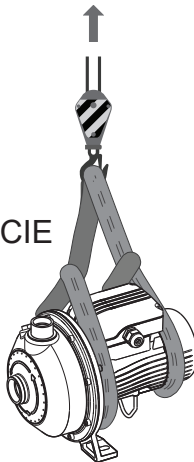
2



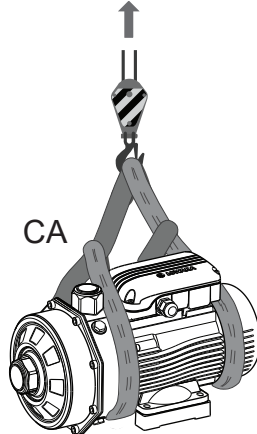
>15 kg
(33 lb)

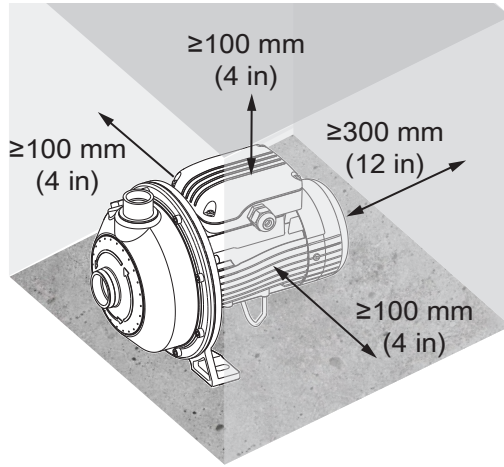


CEA/CIE

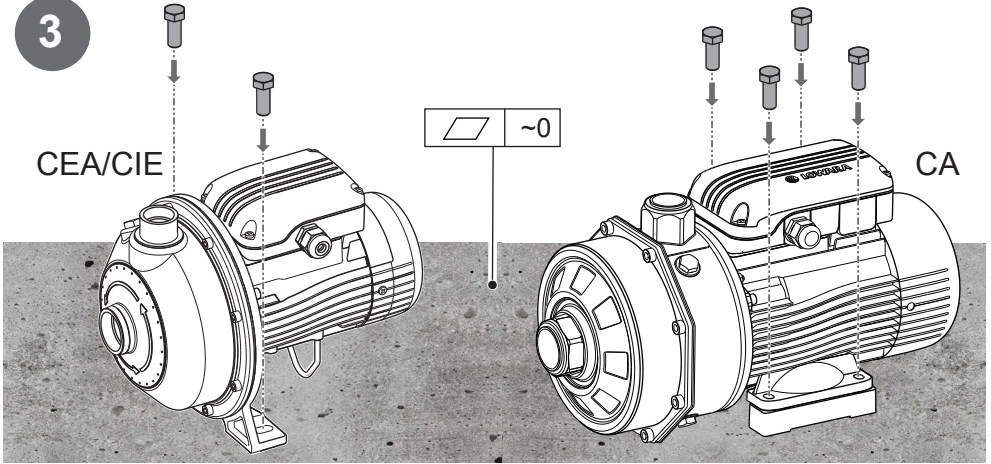


CA

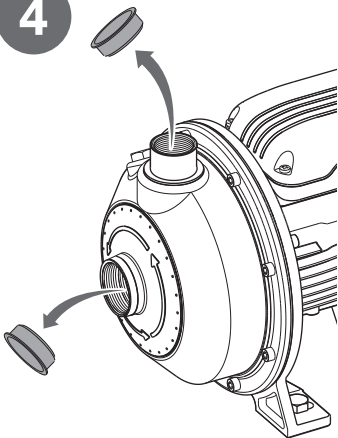




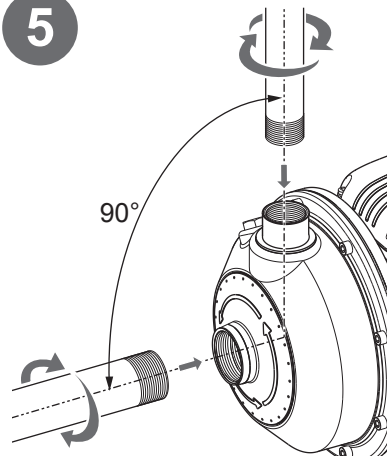
3



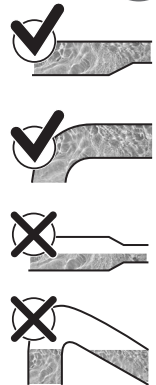
4

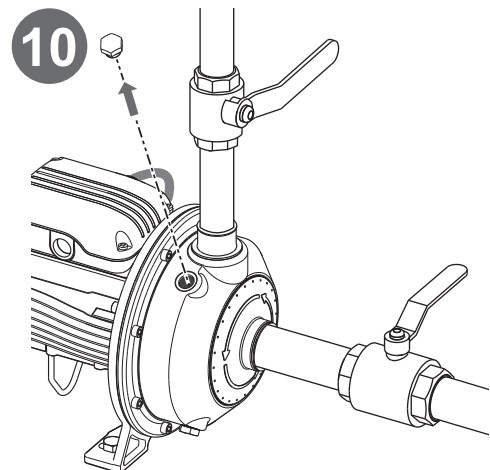
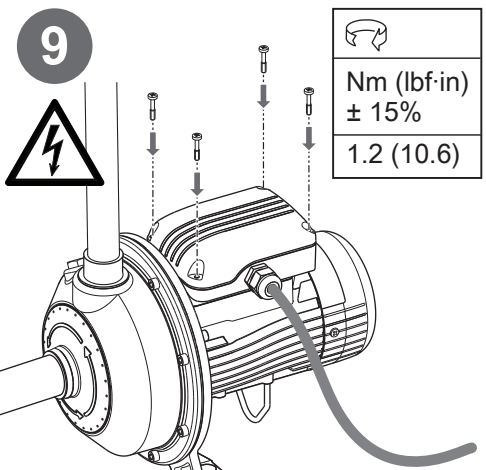
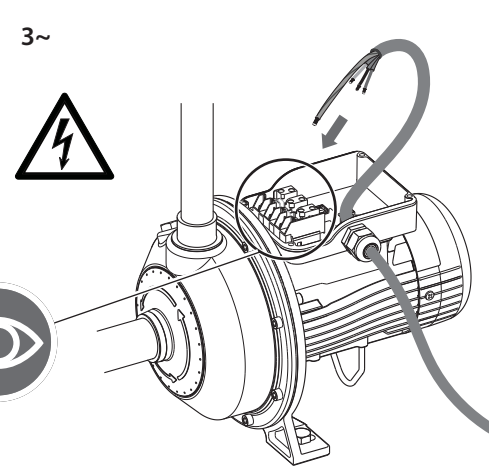
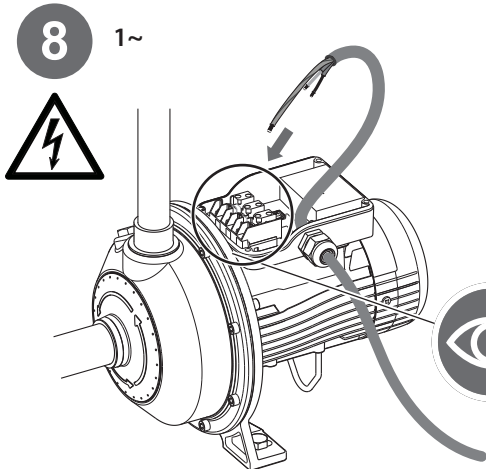
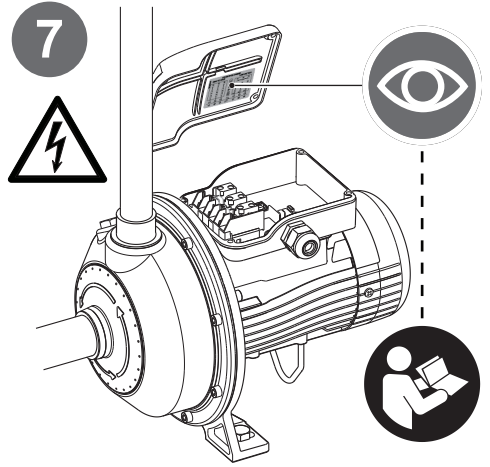
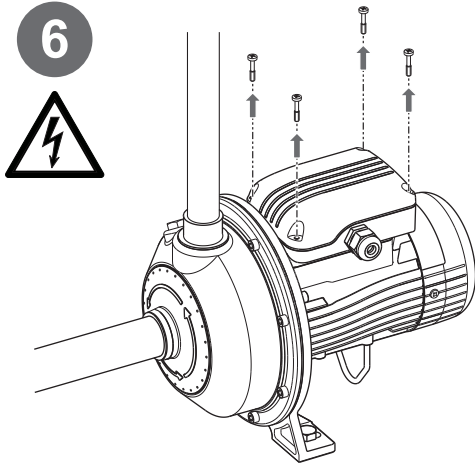


5

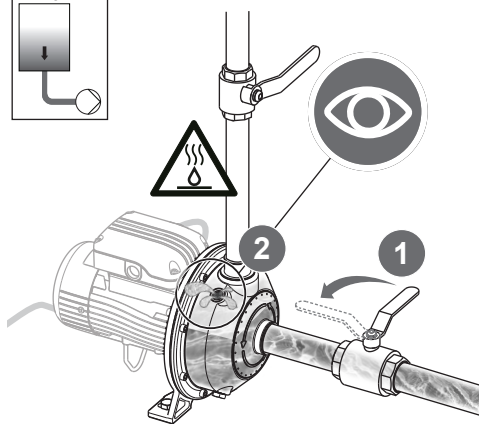
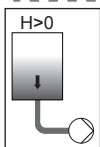
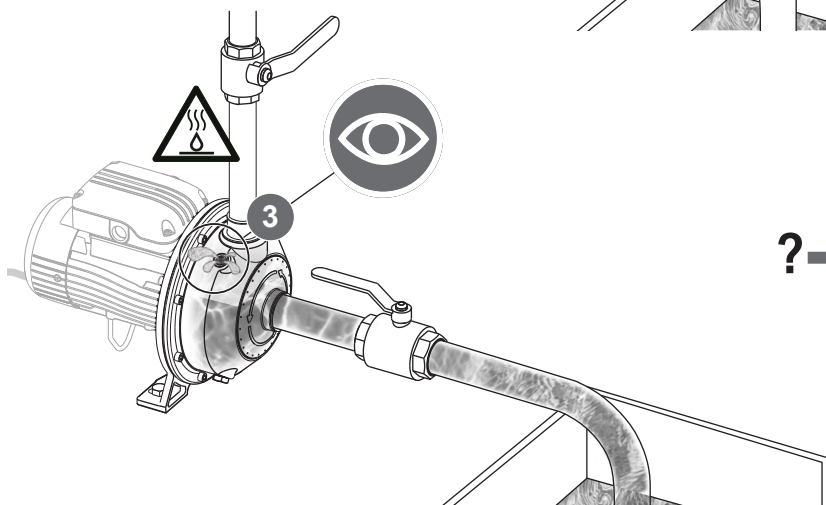
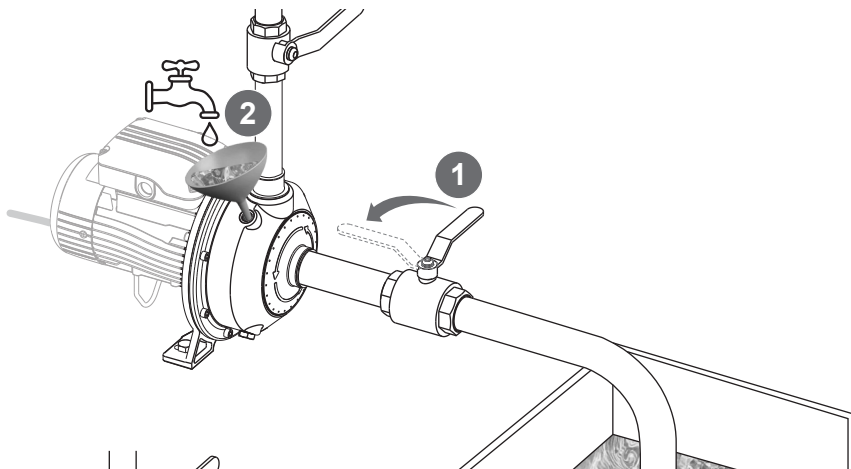
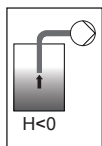


i




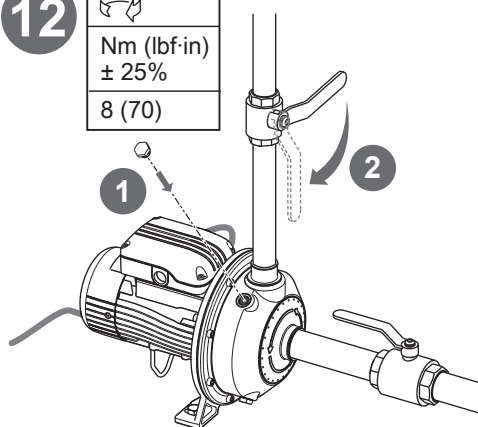


11

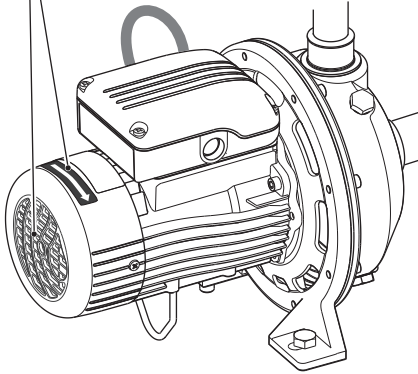


12

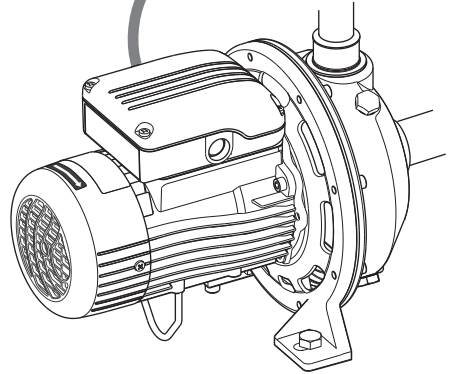

Nm (lbf-in)
± 25%
8 (70)



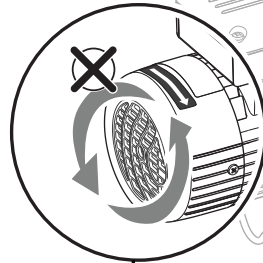
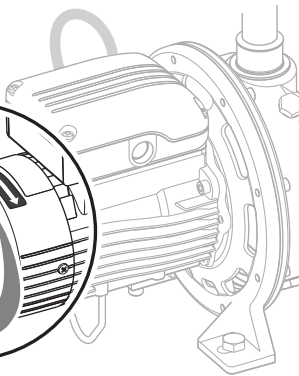
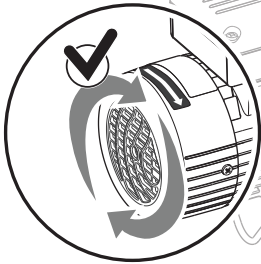
13



14



15





CA



CEA

xylem
Let's Solve Water

Xylem Service Italia S.r.l.
Via Vittorio Lombardi 14
36075 - Montecchio Maggiore (VI) - Italy

xylem.com/lowara
Visit our Web site for the latest version of this document
and more information
© 2025 Xylem Inc
Cod. 001080215 rev.A ed.02/2025