



# Tapping Sleeve

## Carbon Steel

Available in flanged and MJ outlet versions

# 622

### IMPORTANT LINKS

Click appropriate words to go to:

[Standard Limited Warranty](#)  
[Sales Terms & Conditions](#)  
[Freight Policy](#)  
[Returns Policy](#)  
[Corrosion & Product Selection Notice](#)



**THIS PRODUCT DOES NOT RESTRAIN PIPE MOVEMENT.** Proper anchoring is required to prevent pipe pullout. Failure to anchor or improper anchoring can result in dangerous pipe content escape, property damage, serious injury, or death. Read the product installation instructions prior to installing this product.

**Description:** Tapping sleeve.

**Application:** For 4" pipe and larger: reducing and size-on-size flanged outlets. Available with 3/4"-6" threaded outlets.

### Key Features:

- Easy to install
- Has range to reduce inventory
- Meets AWWA C223 Standards
- Epoxy Finish meets AWWA C213 Standards
- Virtually 360° support of the pipe
- Roll-resistant gasket will not bind
- Gasket seal increases with line pressure
- No special tools required to install the sleeve
- Flanged outlets are recessed to accept tapping valves
- Flexi-Coat® Fusion-Bonded Epoxy Finish is standard for superior corrosion resistance
- 3/4" test outlet to allow hydrostatic pressure test before tapping the pipe (not available in standard 4" x 4")

### Materials Specifications (subject to change):

**BODY:** Carbon Steel ASTM A283 Grade C. *Type 304 Stainless Steel Optional*

**FLANGES:** AWWA C207 Class D, ANSI 150# drilling. Recessed for tapping valve per MSS-SP 60.

*Optional: Other types of flanges, threaded outlets; MJ outlets*

**GASKET:** Nitrile (Buna N) NSF-61 listed. Concave wedge gasket, compounded to resist water, oil, acids, alkalis, most (aliphatic) hydrocarbon fluids, and other chemicals

**Temperature Range:** up to +180°F

**BOLTS & NUTS:** High strength low alloy Steel with heavy semi-finished hexagon nuts to ASTM A-307 (ANSI A21.11) standards. *Optional Type 304 Stainless Steel bolts and nuts are coated to prevent galling*

**FINISH:** Flexi-Coat® Fusion-Bonded Epoxy Finish

**Working Pressure:** Up to 175 PSI

**Pipe Applications:** Steel, Cast Iron, Asbestos Cement, PVC

**Sizes (in inches):** See attached charts for dimensional data



# Tapping Sleeve

## Carbon Steel

Available in flanged and MJ outlet versions

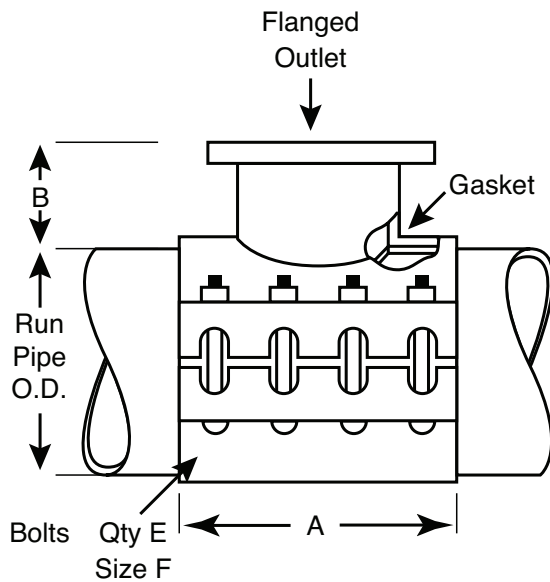
622

### Dimensional Data

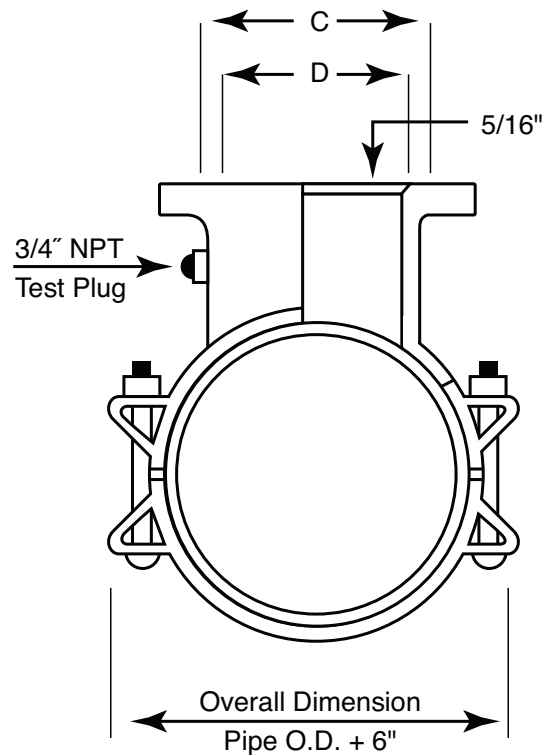
OUTLET SIZE	NOMINAL BODY SIZE	BODY THICKNESS (IN)	A (IN)	B (IN)	C (IN)	D (IN)	E	F (IN)
4	4	1/4" Top x 3/16" Bottom	9	5	5 1/16	4 1/32	6	5/8
	6	3/8	12	5	5 1/16	4 19/32	8	5/8
	8 - 30	3/8	12	5	5 1/16	4 19/32	6	3/4
6	6	3/8	12	5	7 1/16	6 1/18	8	5/8
	8 - 30	3/8	12	5	7 1/16	6 1/2	6	3/4
8	8	3/8	16	5	9 1/16	8 1/8	8	3/4
	10 - 30	3/8	16	5	9 1/16	8 1/2	8	3/4
10	10 - 30	3/8	20	5	11 3/32	10 1/4	10	3/4
12	14 - 24	3/8	20	5	13 3/32	12 1/4	10	3/4
	30	3/8	24	5	13 3/32	12 1/4	12	3/4

Larger sizes and outlets available upon request. For MJ outlets, replace the last two 00s in the middle eight digits with MJ. Example: 622-127504MJ-003.

### Side View



### End View



NOMINAL SIZE OF PIPE x FLANGED OUTLET	OD RANGE INCHES	FLEXI-COAT® EPOXY WITH ALLOY BOLTS CATALOG NUMBER	FLEXI-COAT® EPOXY WITH STAINLESS STEEL BOLTS CATALOG NUMBER	WEIGHT EACH POUNDS
4 X 4*	4.50	622-04500400-203	622-04500400-231	34
4 X 4*	4.80	622-04800400-203	622-04800400-231	34
4-5 X 6	5.00-5.22	622-05100400-203	622-05100400-231	34
6 X 4 6 X 6*	6.57-6.73	622-06630400-003 622-06630600-203	622-06630400-031 622-06630600-231	71 76
6 X 4 6 X 6*	6.90-7.20	622-06900400-003 622-06900600-203	622-06900400-031 622-06900600-231	71 76
6 X 4 6 X 6*	7.07-7.40	622-07200400-003 622-07200600-203	622-07200400-031 622-07200600-231	71 76
6 X 4	7.40-7.73	622-07450400-003	622-07450400-031	71
8 X 4 8 X 6	7.80-8.13	622-08000400-003 622-08000600-003	622-08000400-031 622-08000600-031	78 87
8 X 4	8.36-8.75	622-08630400-003	622-08630400-031	78
8 X 6		622-08630600-003	622-08630600-031	87
8 X 8*		622-08630800-203	622-08630800-231	117
8 X 8*	8.73-9.12	622-08800800-203	622-08800800-231	78
8 X 4	9.05-9.40	622-09050400-003	622-09050400-031	78
8 X 6		622-09050600-003	622-09050600-031	87
8 X 8*		622-09050800-203	622-09050800-231	117
8 X 4	9.27-9.69	622-09400400-003	622-09400400-031	78
8 X 6		622-09400600-003	622-09400600-031	87
8 X 8*		622-09400800-203	622-09400800-231	117
8-10 X 4	9.68-10.10	622-10000400-003	622-10000400-031	82
8-10 X 6		622-10000600-003	622-10000600-031	94
8-10 X 8*		622-10000800-203	622-10000800-231	125
10 X 4	10.45-10.88	622-10750400-003	622-10750400-031	82
10 X 6 10 X 8		622-10750600-003 622-10750800-003	622-10750600-031 622-10750800-031	94 125
10 X 10*		622-10751000-203	622-10751000-231	138
10 X 4	11.03-11.47	622-11100400-003	622-11100400-031	82
10 X 6 10 X 8		622-11100600-003 622-11100800-003	622-11100600-031 622-11100800-031	94 125
10 X 10*		622-11101000-203	622-11101000-231	138
10 X 4	11.36-11.80	622-11400400-003	622-11400400-031	82
10 X 6 10 X 8		622-11400600-003 622-11400800-003	622-11400600-031 622-11400800-031	94 125
10 X 10*		622-11401000-203	622-11401000-231	138
10-12 X 4	11.76-12.20	622-12000400-003	622-12000400-031	97
10-12 X 6 10-12 X 8		622-12000600-003 622-12000800-003	622-12000600-031 622-12000800-031	103 135
10-12 X 10*		622-12001000-203	622-12001000-231	170
12 X 4	12.42-12.88	622-12750400-003	622-12750400-031	97
12 X 6		622-12750600-003	622-12750600-031	103
12 X 8		622-12750800-003	622-12750800-031	135
12 X 10		622-12751000-003	622-12751000-031	170
12 X 12*		622-12751200-203	622-12751200-231	201

\*Size on size taps require a ½" undersized shell cutter. Larger size on size and smaller sized tapping sleeve are available upon request. Also available in Stainless Steel. For MJ outlets, replace the last two 00s in the middle eight digits with MJ. Example: 622-127504MJ-003.

NOMINAL SIZE OF PIPE x FLANGED OUTLET	OD RANGE INCHES	FLEXI-COAT® EPOXY WITH ALLOY BOLTS CATALOG NUMBER	FLEXI-COAT® EPOXY WITH STAINLESS STEEL BOLTS CATALOG NUMBER	WEIGHT EACH POUNDS
12 X 4	13.13-13.60	622-13200400-003	622-13200400-031	97
12 X 6		622-13200600-003	622-13200600-031	103
12 X 8		622-13200800-003	622-13200800-031	135
12 X 10		622-13201000-003	622-13201000-031	170
12 X 12*		622-13201200-203	622-13201200-231	201
12 X 4	13.60-14.09	622-13820400-003	622-13820400-031	97
12 X 6		622-13820600-003	622-13820600-031	103
12 X 8		622-13820800-003	622-13820800-031	135
12 X 10		622-13821000-003	622-13821000-031	170
12 X 12*		622-13821200-203	622-13821200-231	201
12 X 4	14.10-14.58	622-14250400-003	622-14250400-031	103
12 X 6		622-14250600-003	622-14250600-031	111
12 X 8		622-14250800-003	622-14250800-031	145
12 X 10		622-14251000-003	622-14251000-031	204
12 X 12*		622-14251200-203	622-14251200-231	229
12 X 4	14.59-15.08	622-14750400-003	622-14750400-031	108
12 X 6		622-14750600-003	622-14750600-031	111
12 X 8		622-14750800-003	622-14750800-031	148
12 X 10		622-14751000-003	622-14751000-031	204
12 X 12*		622-14751200-003	622-14751200-031	229
14 X 4	15.23-15.72	622-15300400-003	622-15300400-031	108
14 X 6		622-15300600-003	622-15300600-031	111
14 X 8		622-15300800-003	622-15300800-031	148
14 X 10		622-15301000-003	622-15301000-031	204
14 X 12		622-15301200-003	622-15301200-031	229
14-16 X 4	15.73-16.22	622-16000400-003	622-16000400-031	108
14-16 X 6		622-16000600-003	622-16000600-031	111
14-16 X 8		622-16000800-003	622-16000800-031	148
14-16 X 10		622-16001000-003	622-16001000-031	204
14-16 X 12		622-16001200-003	622-16001200-031	229
14-16 X 4	16.30-16.73	622-16470400-003	622-16470400-031	108
14-16 X 6		622-16470600-003	622-16470600-031	111
14-16 X 8		622-16470800-003	622-16470800-031	148
14-16 X 10		622-16471000-003	622-16471000-031	204
14-16 X 12		622-16471200-003	622-16471200-031	229
14-16 X 4	16.74-17.26	622-16840400-003	622-16840400-031	108
14-16 X 6		622-16840600-003	622-16840600-031	111
14-16 X 8		622-16840800-003	622-16840800-031	148
14-16 X 10		622-16841000-003	622-16841000-031	204
14-16 X 12		622-16841200-003	622-16841200-031	229

\*Size on size taps require a ½" undersized shell cutter. Larger size on size and smaller sized tapping sleeve are available upon request. Also available in Stainless Steel. For MJ outlets, replace the last two 00s in the middle eight digits with MJ. Example: 622-127504MJ-003.

NOMINAL SIZE OF PIPE x FLANGED OUTLET	OD RANGE INCHES	FLEXI-COAT® EPOXY WITH ALLOY BOLTS CATALOG NUMBER	FLEXI-COAT® EPOXY WITH STAINLESS STEEL BOLTS CATALOG NUMBER	WEIGHT EACH POUNDS	
16 X 4	17.33-17.87	622-17400400-003	622-17400400-031	117	
16 X 6		622-17400600-003	622-17400600-031	122	
16 X 8 16 X 10		622-17400800-003 622-17401000-003	622-17400800-031 622-17401000-031	162 216	
16 X 12		622-17401200-003	622-17401200-031	245	
16 X 4		17.88-18.43	622-18000400-003	622-18000400-031	117
16 X 6	622-18000600-003		622-18000600-031	122	
16 X 8	622-18000800-003		622-18000800-031	162	
16 X 10	622-18001000-003		622-18001000-031	216	
16 X 12	622-18001200-003		622-18001200-031	245	
16 X 4 16 X 6 16 X 8 16 X 10	18.46-19.03	622-18780400-003 622-18780600-003 622-18780800-003 622-18781000-003	622-18780400-031 622-18780600-031 622-18780800-031 622-18781000-031	117 122 162 216	
16 X 12		622-18781200-003	622-18781200-031	245	
18 X 4		18.87-19.45	622-19200400-003	622-19200400-031	117
18 X 6			622-19200600-003	622-19200600-031	122
18 X 8			622-19200800-003	622-19200800-031	162
18 X 10	622-19201000-003		622-19201000-031	216	
18 X 12	622-19201200-003		622-19201200-031	245	
18 X 4	19.41-20.01	622-19500400-003	622-19500400-031	117	
18 X 6		622-19500600-003	622-19500600-031	122	
18 X 8		622-19500800-003	622-19500800-031	162	
18 X 10		622-19501000-003	622-19501000-031	216	
18 X 12		622-19501200-003	622-19501200-031	245	
18-20 X 4	19.88-20.48	622-20000400-003	622-20000400-031	122	
18-20 X 6		622-20000600-003	622-20000600-031	130	
18-20 X 8		622-20000800-003	622-20000800-031	180	
18-20 X 10		622-20001000-003	622-20001000-031	232	
18-20 X 12		622-20001200-003	622-20001200-031	284	
20 X 4	20.29-20.92	622-20640400-003	622-20640400-031	122	
20 X 6		622-20640600-003	622-20640600-031	130	
20 X 8		622-20640800-003	622-20640800-031	180	
20 X 10		622-20641000-003	622-20641000-031	232	
20 X 12		622-20641200-003	622-20641200-031	284	
20 X 4	20.93-21.57	622-21320400-003	622-21320400-031	122	
20 X 6		622-21320600-003	622-21320600-031	130	
20 X 8		622-21320800-003	622-21320800-031	180	
20 X 10		622-21321000-003	622-21321000-031	232	
20 X 12		622-21321200-003	622-21321200-031	284	
20 X 4	21.51-22.15	622-21600400-003	622-21600400-031	122	
20 X 6		622-21600600-003	622-21600600-031	130	
20 X 8		622-21600800-003	622-21600800-031	180	
20 X 10		622-21601000-003	622-21601000-031	232	
20 X 12		622-21601200-003	622-21601200-031	284	

\*Size on size taps require a ½" undersized shell cutter. Larger size on size and smaller sized tapping sleeve are available upon request. Also available in Stainless Steel. For MJ outlets, replace the last two 00s in the middle eight digits with MJ. Example: 622-127504MJ-003.

NOMINAL SIZE OF PIPE x FLANGED OUTLET	OD RANGE INCHES	FLEXI-COAT® EPOXY WITH ALLOY BOLTS CATALOG NUMBER	FLEXI-COAT® EPOXY WITH STAINLESS STEEL BOLTS CATALOG NUMBER	WEIGHT EACH POUNDS
20 X 4	22.16-22.81	622-22680400-003	622-22680400-031	122
20 X 6		622-22680600-003	622-22680600-031	130
20 X 8		622-22680800-003	622-22680800-031	180
20 X 10		622-22681000-003	622-22681000-031	232
20 X 12		622-22681200-003	622-22681200-031	284
20 X 4	22.78-23.45	622-22940400-003	622-22940400-031	133
20 X 6		622-22940600-003	622-22940600-031	144
20 X 8		622-22940800-003	622-22940800-031	197
20 X 10		622-22941000-003	622-22941000-031	258
20 X 12		622-22941200-003	622-22941200-031	284
20 X 4	23.46-24.16	622-24000400-003	622-24000400-031	133
20 X 6		622-24000600-003	622-24000600-031	144
20 X 8		622-24000800-003	622-24000800-031	197
20 X 10		622-24001000-003	622-24001000-031	258
20 X 12		622-24001200-003	622-24001200-031	284
24 X 4	24.15-24.85	622-24500400-003	622-24500400-031	133
24 X 6		622-24500600-003	622-24500600-031	144
24 X 8		622-24500800-003	622-24500800-031	197
24 X 10		622-24501000-003	622-24501000-031	258
24 X 12		622-24501200-003	622-24501200-031	284
24 X 4	24.82-25.52	622-25020400-003	622-25020400-031	133
24 X 6		622-25020600-003	622-25020600-031	144
24 X 8		622-25020800-003	622-25020800-031	197
24 X 10		622-25021000-003	622-25021000-031	258
24 X 12		622-25021200-003	622-25021200-031	284
24 X 4	25.71-26.41	622-25800400-003	622-25800400-031	149
24 X 6		622-25800600-003	622-25800600-031	157
24 X 8		622-25800800-003	622-25800800-031	219
24 X 10		622-25801000-003	622-25801000-031	286
24 X 12		622-25801200-003	622-25801200-031	304
24 X 4	26.55-27.25	622-27120400-003	622-27120400-031	149
24 X 6		622-27120600-003	622-27120600-031	157
24 X 8		622-27120800-003	622-27120800-031	219
24 X 10		622-27121000-003	622-27121000-031	286
24 X 12		622-27121200-003	622-27121200-031	304
24 X 4	27.26-27.96	622-27460400-003	622-27460400-031	149
24 X 6		622-27460600-003	622-27460600-031	157
24 X 8		622-27460800-003	622-27460800-031	219
24 X 10		622-27461000-003	622-27461000-031	286
24 X 12		622-27461200-003	622-27461200-031	304

\*Size on size taps require a ½" undersized shell cutter. Larger size on size and smaller sized tapping sleeve are available upon request. Also available in Stainless Steel. For MJ outlets, replace the last two 00s in the middle eight digits with MJ. Example: 622-127504MJ-003.

NOMINAL SIZE OF PIPE x FLANGED OUTLET	OD RANGE INCHES	FLEXI-COAT® EPOXY WITH ALLOY BOLTS CATALOG NUMBER	FLEXI-COAT® EPOXY WITH STAINLESS STEEL BOLTS CATALOG NUMBER	WEIGHT EACH POUNDS
24 X 4	28.14-28.84	622-28340400-003	622-28340400-031	149
24 X 6		622-28340600-003	622-28340600-031	157
24 X 8		622-28340800-003	622-28340800-031	219
24 X 10		622-28341000-003	622-28341000-031	286
24 X 12		622-28341200-003	622-28341200-031	304
30 X 4	29.78-30.48	622-30000400-003	622-30000400-031	156
30 X 6		622-30000600-003	622-30000600-031	160
30 X 8		622-30000800-003	622-30000800-031	219
30 X 10		622-30001000-003	622-30001000-031	292
30 X 12		622-30001200-003	622-30001200-031	315
30 X 4	30.48-31.18	622-30750400-003	622-30750400-031	156
30 X 6		622-30750600-003	622-30750600-031	160
30 X 8		622-30750800-003	622-30750800-031	219
30 X 10		622-30751000-003	622-30751000-031	292
30 X 12		622-30751200-003	622-30751200-031	315
30 X 4	31.52-32.22	622-32000400-003	622-32000400-031	156
30 X 6		622-32000600-003	622-32000600-031	160
30 X 8		622-32000800-003	622-32000800-031	219
30 X 10		622-32001000-003	622-32001000-031	292
30 X 12		622-32001200-003	622-32001200-031	315

\*Size on size taps require a 1/2" undersized shell cutter. Larger size on size and smaller sized tapping sleeve are available upon request. Also available in Stainless Steel. For MJ outlets, replace the last two 00s in the middle eight digits with MJ. Example: 622-127504MJ-003.