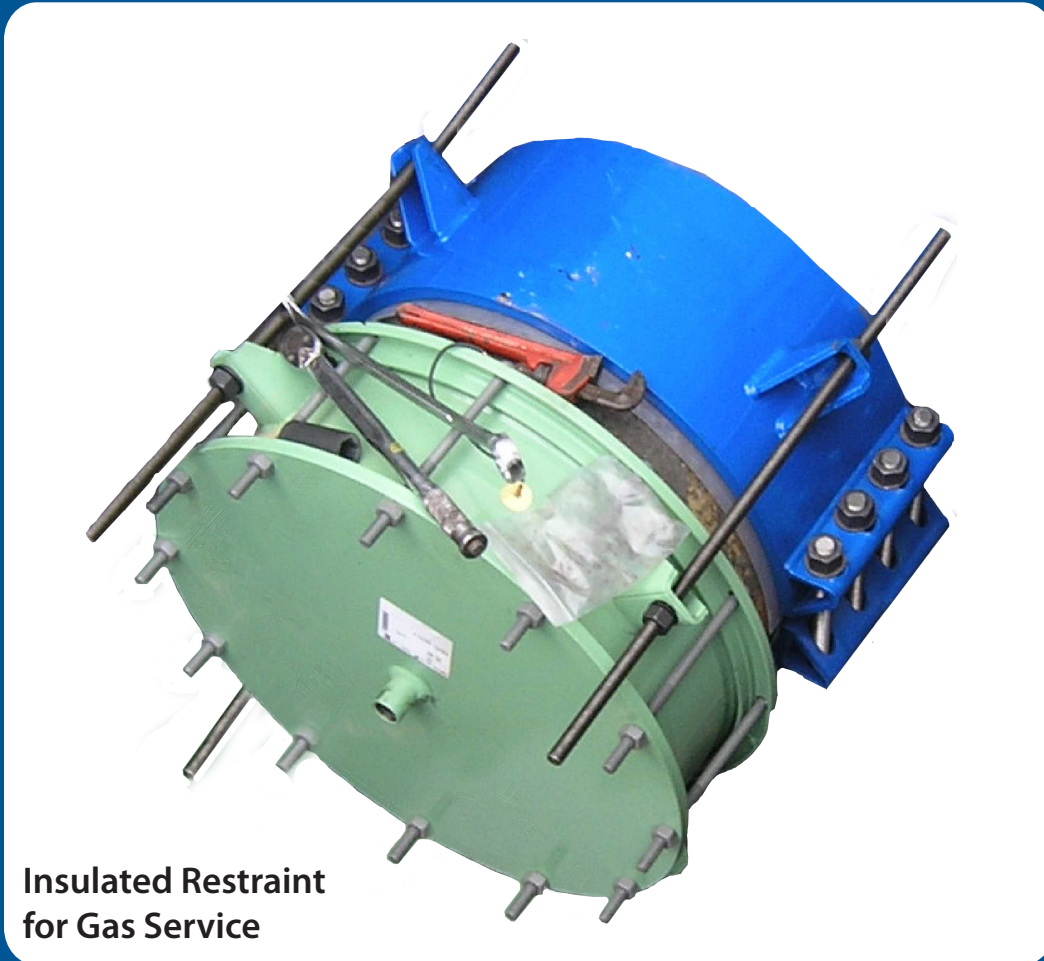




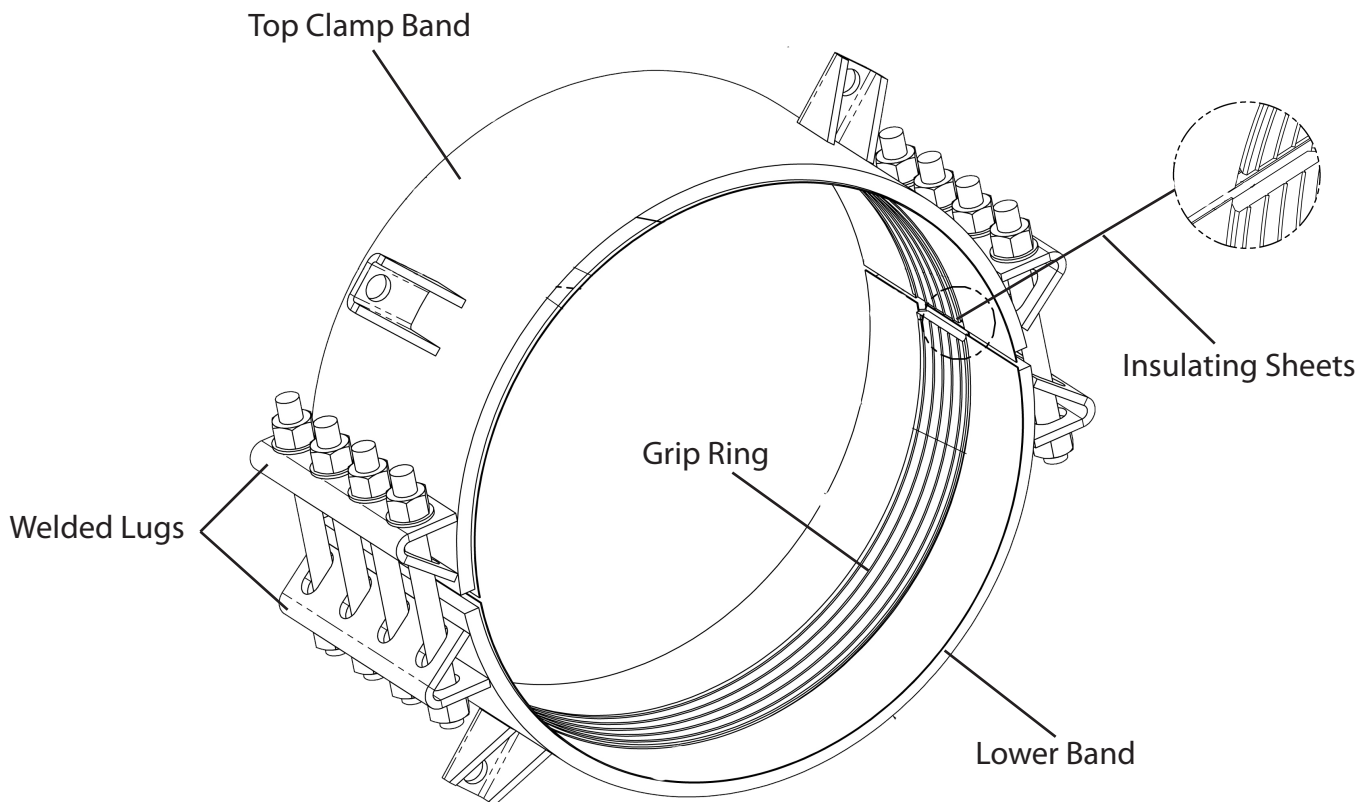
EBR



**Insulated Restraint
for Gas Service**

Features of EBR Series Insulated Restraint

- Safer alternative than thrust blocks for preventing pipe pull out.
- Can resist forces up to 60 PSIG line pressure.
- Utilizes Maxi-Grip EZ restraining technology to grip pipe.
- Available in sizes 10"-30".



Materials Specifications EBR Series Insulated Restraint

- Band: ASTM A285C
- Grip Ring: 18-8 Type 304 stainless steel
- Insulating Sheets: Polypropylene sheets
- Studs: High-strength, low alloy steel
- Nuts: ASTM A307 (ANSI A21.11)