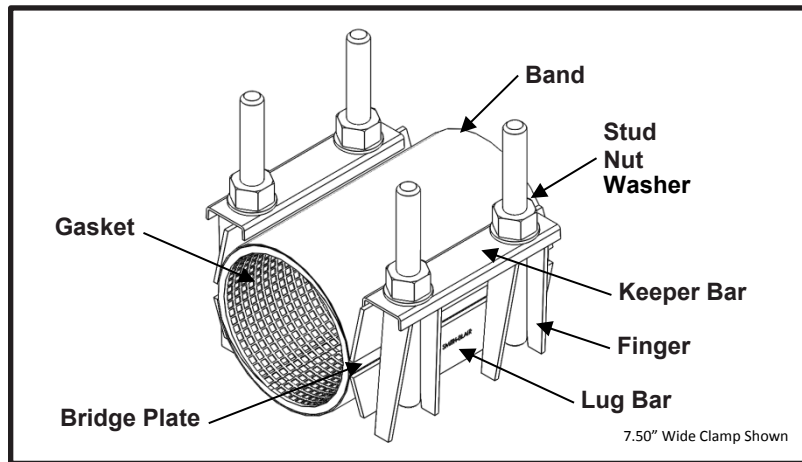


# SPECIFICATION

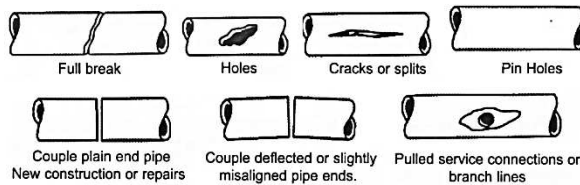
## FULL CIRCLE<sup>®</sup> REPAIR CLAMP ALL STAINLESS MODEL 262



### APPLICATIONS

#### Typical Uses

- Repair leaks due to complete breaks, splits, or holes
- Joining pipes of the same diameter
- Examples:



#### Standard Pipe Sizes

- 3" to 12" nominal

#### Standard Widths

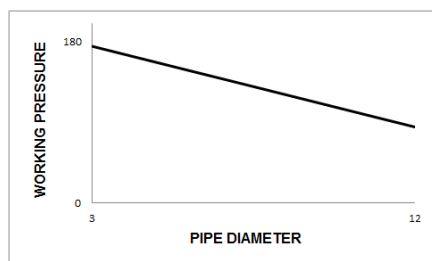
- 7.5", 10.0", 12.5", 15.0", 20.0"

#### Type of Pipe

- Carbon Steel, Stainless Steel, Ductile Iron, PVC, HDPE DR17 or thicker (with use of spring washers), Asbestos Cement, Copper, Aluminum

#### Working Pressure

- Up to 175 psi depending on type of pipe, type of repair, pipe diameter, service conditions, and installation workmanship





# SPECIFICATION

## FULL CIRCLE<sup>®</sup> REPAIR CLAMP AII STAINLESS

### MODEL 262

---

#### MATERIALS

- **Band**
  - Type 304 Stainless Steel per ASTM A240
  - Band Thickness: 20 gauge thick for clamps 6.90" diameter and smaller  
19 gauge thick for clamps 8.63" diameter and larger
- **Finger**
  - Type 304 Stainless Steel per ASTM A240
  - Finger Thickness: 10 gauge
  - Solution annealed for increased corrosion resistance and strength
  - Long fingers allow for up to 0.80 inches of range (0.40 inches per side) in clamp
- **Lug Bar**
  - Type 304 Stainless Steel per ASTM A240
  - Lug Bar Thickness: 10 gauge
  - Solution annealed for increased corrosion resistance and strength
  - Spans entire width of clamp for uniform distribution of clamping force
- **Keeper Bar**
  - Type 304 Stainless Steel per ASTM A240
  - Keeper Bar Thickness: 14 gauge
  - Solution annealed for increased corrosion resistance and strength
  - Helps pull clamp around the pipe and closes the clamp during installation
- **Gasket**
  - Nitrile (Buna-N) per ASTM D2000
  - Gasket Thickness: 0.192" thickness for clamps 3.50" diameter and smaller  
0.250" thickness for clamps 4.50" diameter and larger
  - Certified to NSF/ANSI 61-G & 372
  - Compounded to resist water, oil, natural gas, acids, alkalies, most (aliphatic) hydrocarbon fluids, and many other chemicals
  - Temperature range: -20°F to +180°F
  - Full 360° gridded face gasket provides maximum pipe support, reinforcement, and sealing pressure
  - Tapered ends allow for full circumferential sealing
- **Bridge Plate**
  - Type 304 Stainless Steel quarter hard per ASTM A240
  - Molded and recessed into gasket
  - Preformed for uniform distribution of gasket pressure over the entire pipe circumference
- **Stud**
  - Type 304 Stainless Steel per ASTM A276
  - Epoxy coated threads to prevent galling
  - 5/8"-11UNC x 7.00" long, Stud
  - Rolled threads for improved physical characteristics, greater thread accuracy, and smooth surface finish
- **Nut**
  - Type 304 Stainless Steel GR. 8 per ASTM A194
  - Fluoropolymer coated to prevent galling
  - 5/8"-11UNC, Heavy Hex Semi-Finished
- **Washer**
  - Type 304 Stainless Steel per ASTM A240
  - 5/8" Type A Plain



# SPECIFICATION

## FULL CIRCLE<sup>®</sup> REPAIR CLAMP ALL STAINLESS

### MODEL 262

---

- **Welding**
  - Welds accomplished using qualified welders
  - GMAW & GTAW weld process utilized
  - Welds passivated to preserve corrosion resistance

#### LISTINGS

- Certified to NSF/ANSI 61-G & 372
- Meets applicable AWWA C230 standards

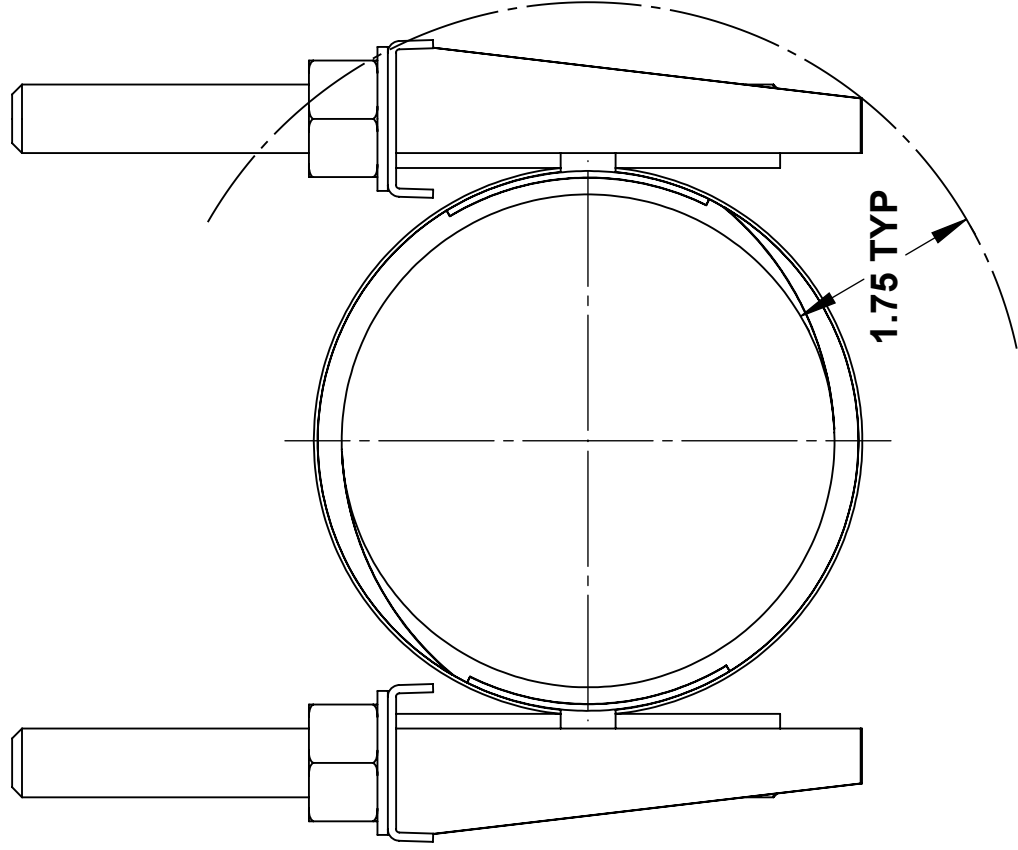
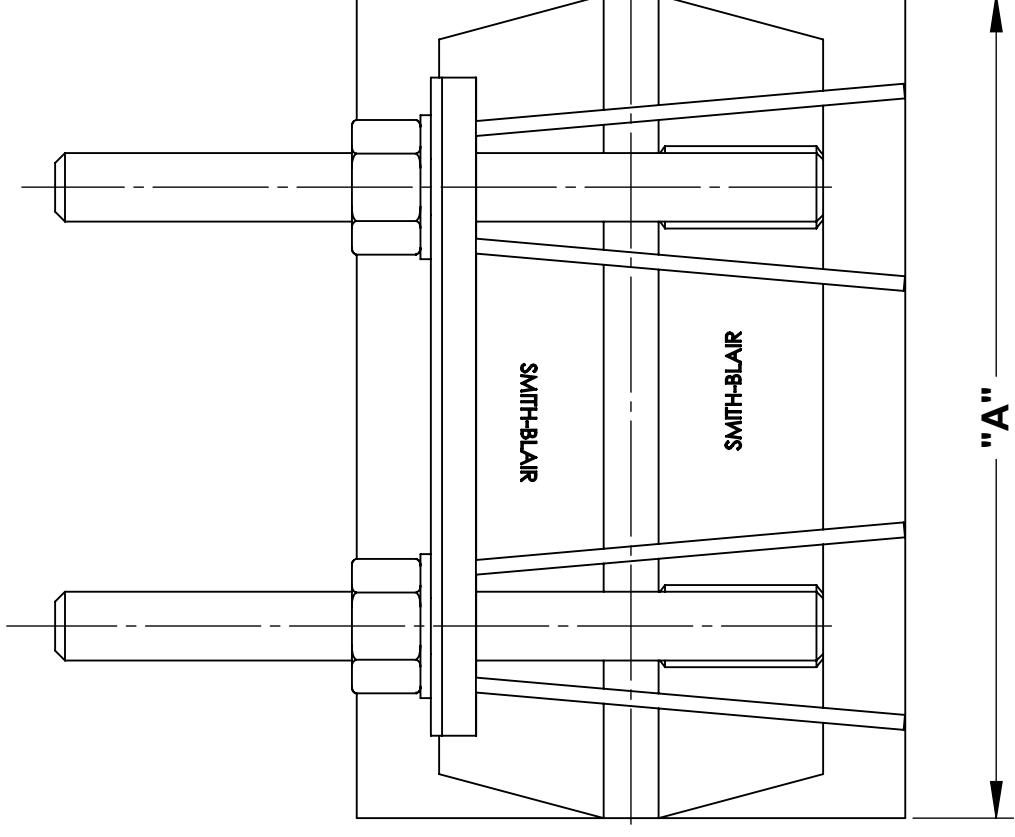
#### OPTIONS

- Type 316 Stainless Steel band
- Type 316 Stainless Steel hardware with fluoropolymer coated nuts to prevent galling
- Alternative gasket material (e.g. Viton, EPDM, etc.)
- Spring washers for use of clamp on HDPE pipe
- Offset gaskets to allow for repairing longer cracks using multiple clamps
- Conductivity feature
- Clamps up to 30" wide

#### NOTES

- This product **does not** restrain the pipe from pulling out of the fitting
- Spring washers **are required** when this product is used on DR17 or thicker HDPE pipe (Not recommended for use on HDPE pipe DR 17 or thinner)
- Pipe stiffeners **are required** when this product is used to join HDPE and thin wall PVC pipe
- Full Circle<sup>®</sup> is a registered trademark of Smith-Blair Inc.
- These product specifications were correct at the time of publication and are subject to change without notice
- See the Smith-Blair<sup>®</sup> web site for part numbers and ordering information
- See the Smith-Blair<sup>®</sup> web site for warranty information
- See the Smith-Blair<sup>®</sup> web site for corrosion warnings

30 Globe Ave, Texarkana, AR 71854  
Ph: 870-773-5127 • Fax: 870-773-5212  
Toll-Free Numbers: Ph: 800-643-9705 • Fax: 800-648-6792



**NOTES:**

1. SEE SMITH-BLAIR CATALOG FOR AVAILABLE PIPE DIAMETER AND WIDTH COMBINATIONS AS SOME COMBINATIONS ARE NOT AVAILABLE

2. 7.50" WIDE CLAMP SHOWN OTHER SIZES SIMILAR

A	KEEPER BAR		HARDWARE			SOCKET SIZE
	QUANTITY	SIZE	STUD SIZE	QUANTITY	WASHER SIZE	
7.50	2	6.00	5/8" X 7.00"	4	5/8"	1-1/16"
10.00	2	8.00		6		
12.50	2	10.00	6			
15.00	4	6.00	8			
20.00	4	2X-6.00 2X-10.00	10			

**CERTIFIED TO NSF/ANSI 61-G & 372**

TOLERANCES U.N.O. XX= ±.03 XXX= ±.015 FRACTIONS= 1/16 ANGLES= ±1° MACH. FIN=	NOTES: REMOVE BURRS AND SHARP EDGES DO NOT SCALE DWG.	APP'D	DATE
SCALE: N/A		CK'D	DATE
ALL DIMENSIONS ARE IN INCHES.		DRN	DATE

**TITLE**  
**SPECIFICATION**  
**FULL CIRCLE® REPAIR CLAMP ALL STAINLESS**  
**MODEL 262**

SMITH-BLAIR, Inc. TEXARKANA, ARKANSAS	P/N	N/A
DWG. NO.	SPEC_262.DRW	REV.
	1 OF 1 SHEET	2/19/16