

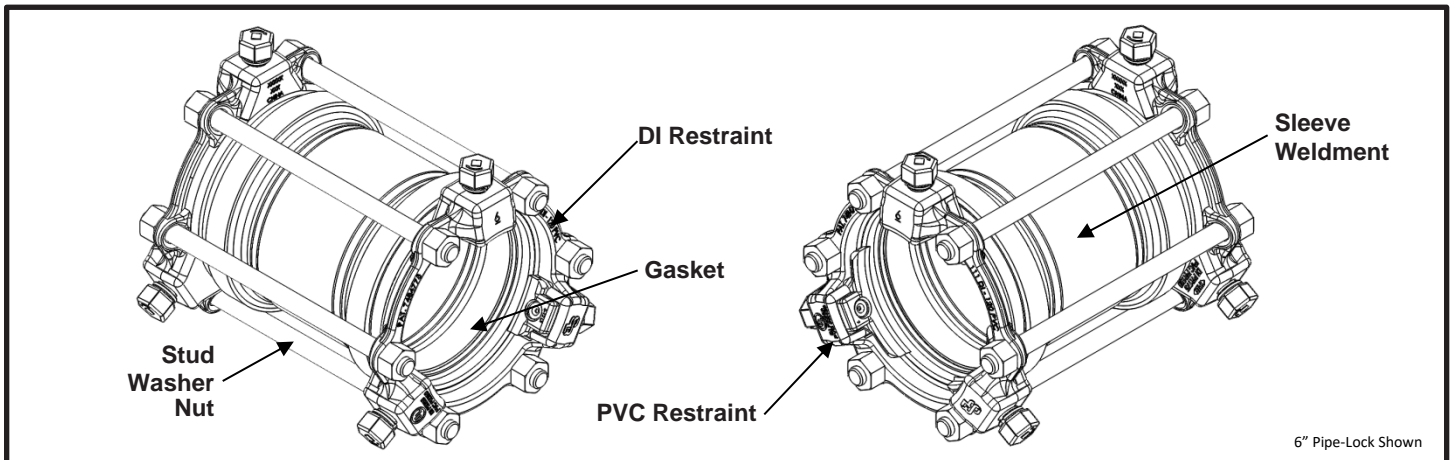


Smith-Blair
a xylem brand

SPECIFICATION

PIPE-LOCK™ STEEL RESTRAINT COUPLING

MODEL 473



APPLICATIONS

- **Typical Uses**
 - Transition and restrain plain-end PVC pipe end to plain-end D.I. pipe end
 - Transition and restrain plain-end PVC pipe end to plain-end Steel pipe end
- **Standard Pipe Size**
 - DI sized 4" - 36" nominal
 - IPS sized 3" - 12" nominal
- **Type of Pipe**
 - Ductile Iron, Carbon Steel
 - PVC

Suitable applications for PVC are limited to SDR 26 or heavier wall pipe as defined by ASTM D2241
- **Working Pressure**
 - Ductile Iron or Carbon Steel
 - DI pipe sizes 4" - 16" = 350 psi, 18" - 36" = 250 psi
 - IPS pipe sizes 3" - 12" = 250 psi
 - PVC
 - Rated at pressure rating of the PVC pipe installed on
 - DI pipe sizes 4" - 24" = 235 psi, 30" = 150 psi, 36" = 125 psi
 - IPS pipe sizes 3" - 12" = 250 psi

The pressure rating for Pipe-Lock will be the lower of the two pipes when coupling/restraining together pipes with different pressure ratings.

MATERIALS

- **Sleeve Weldment**
 - See 477 specification document
- **Restraint**
 - See 111 and 120 specification document
- **Gasket**
 - Styrene Butadiene Rubber (SBR) per AWWA C111/A21.11
 - Compounded to resist water, oil, natural gas, acids, alkalies, most (aliphatic) hydrocarbon fluids and many other chemicals
 - Temperature range: -20°F to +180°F
 - Permanently marked with part number and pipe size range for proper selection



Smith-Blair
a xylem brand

SPECIFICATION

PIPE-LOCK™ STEEL RESTRAINT COUPLING

MODEL 473

- **Stud**
 - HSLA Carbon Steel per AWWA C111/A21.11 and/or ASTM A193 GRB7
 - Size:
 - 3" nominal pipe size = 5/8" – 11 UNC
 - 4" – 24" nominal pipe size = 3/4" – 10 UNC
 - 30" – 36" nominal pipe size = 1-0" – 8 UNC
 - Rolled threads for improved physical characteristics, greater thread accuracy and smooth surface finish
- **Washer**
 - Carbon Steel per ASTM A108
 - Electro-galvanized with dichromate seal per ASTM B633 for improved corrosion resistance
 - Size:
 - 3" nominal pipe size = 5/8" Type A Plain
 - 4" – 24" nominal pipe size = 3/4" Type A Plain
 - 30" – 36" nominal pipe size = 1-0" Type A Plain
 - Utilized to preserve corrosion resistance of epoxy coated surfaces and increase bearing surface

LISTINGS

- Certified to NSF/ANSI 61 and NSF/ANSI 372
- Meets applicable portions of AWWA C219
- Flexi-Coat® Fusion-Bonded Epoxy Coating meets requirements of AWWA C213

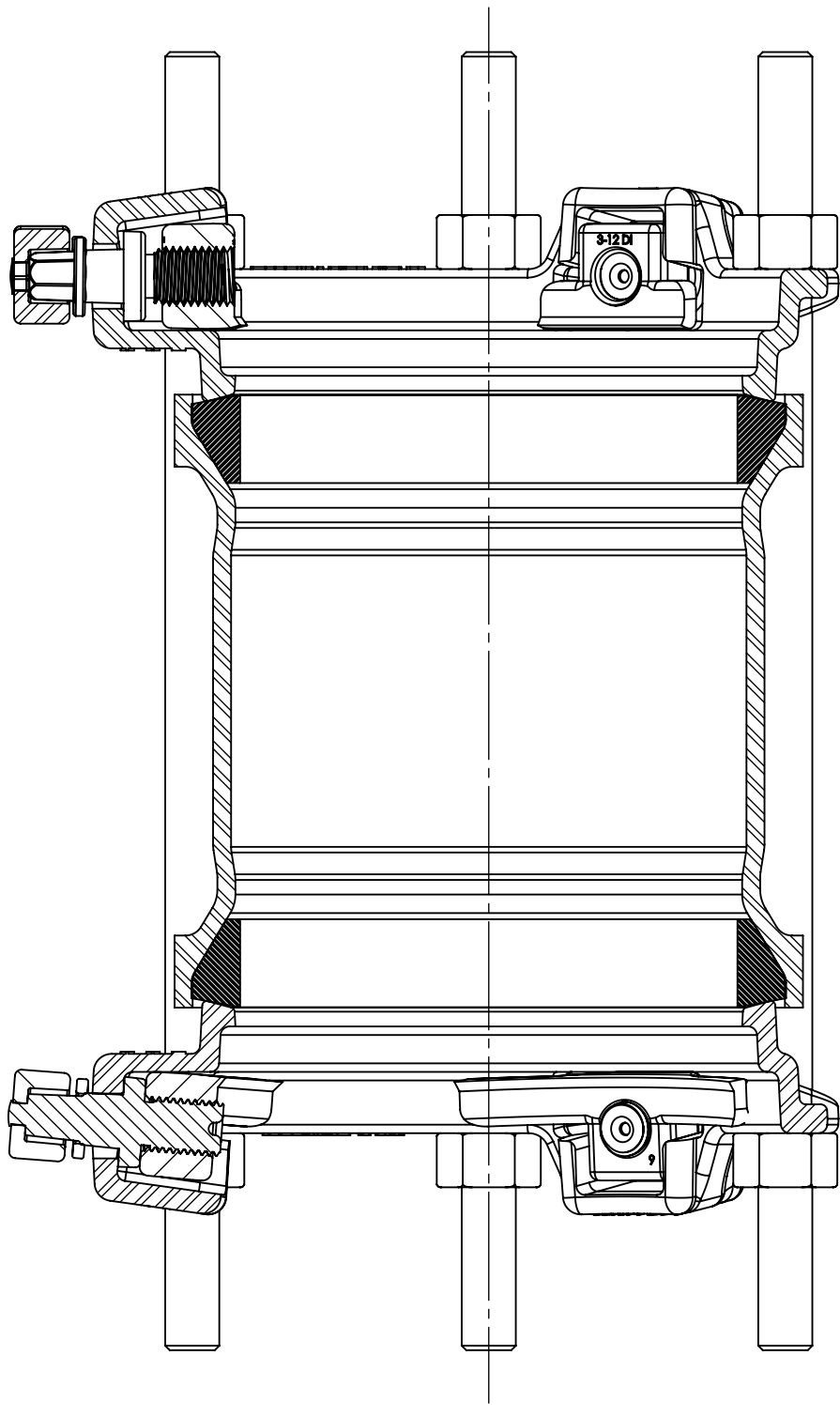
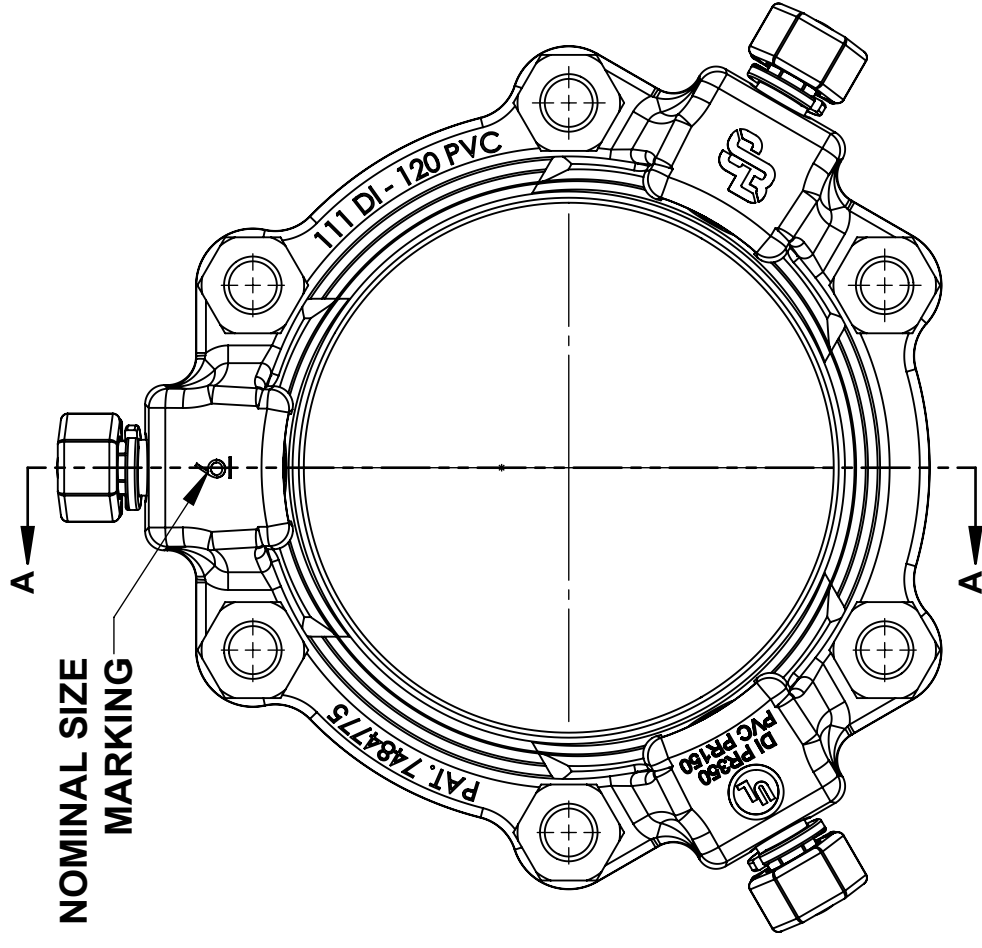
OPTIONS

- Type 304 Stainless Steel hardware with fluoropolymer coated nuts to prevent galling
- Type 316 Stainless Steel hardware with fluoropolymer coated nuts to prevent galling
- Multi-Seal Gasket 4" - 12"
- Alternative gasket material (e.g. Buna-N, EPDM, etc.)

NOTES

- These product specifications were correct at the time of publication and are subject to change without notice
- Pipe-Lock™ is a trademark of Smith-Blair Inc.
- See the Smith-Blair web site for part numbers and ordering information
- See the Smith-Blair web site for warranty information
- See the Smith-Blair web site for corrosion notice

30 Globe Ave, Texarkana, AR 71854
Ph: 870-773-5127 • Fax: 870-773-5212
Toll-Free Numbers: Ph: 800-643-9705 • Fax: 800-648-6792



SECTION A-A

PVC X DI/STEEL

NOTES:

1. SEE SMITH-BLAIR CATALOG FOR ADDITIONAL DETAILS
2. 6" COUPLING SHOWN OTHER SIZES SIMILAR
3. SEE MODEL 477, 111, AND 120 SPECIFICATIONS FOR ADDITIONAL DETAILS

| | | | |
|---------------------------------------------------------------------------------------|----------------------------------------------------------------|-------|----------|
| TOLERANCES U.N.O. XX= +.03 XXX= +.015 FRACTIONS= ANGLES=+1° MACH. FIN= | NOTES: REMOVE BURRS AND SHARP EDGES DO NOT SCALE DWG. | APP'D | DATE |
| SCALE: N/A | ALL DIMENSIONS ARE IN INCHES. | CK'D | DATE |
| | | DRN | DATE |
| | | CHD | 10/19/15 |

TITLE
SPECIFICATION
PIPE-LOCK™ STEEL RESTRAINT COUPLING
MODEL 473

| | | |
|-------------------------------------------------|--------------|--------------|
| SMITH-BLAIR, Inc. TEXARKANA, ARKANSAS | P/N | N/A |
| | DWG. NO. | SPEC_473.DRW |
| | 1 OF 1 SHEET | 8/6/20 REV. |