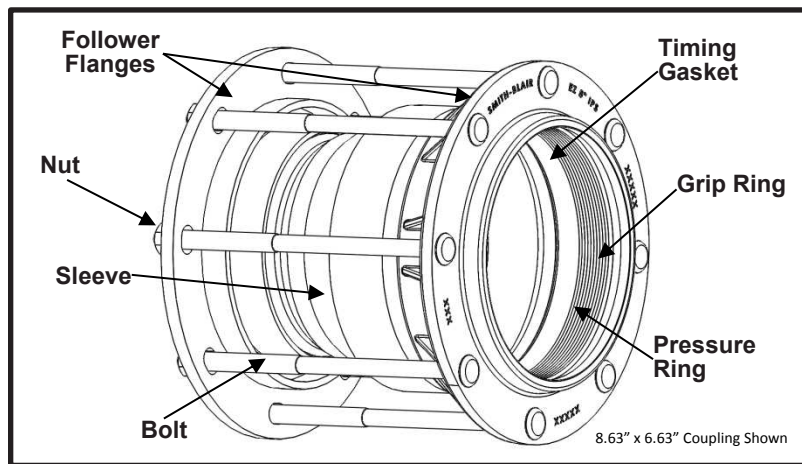


# SPECIFICATION

## MAXI-GRIP® EZ-W™

### RESTRAINT REDUCING COUPLING EZWR



#### APPLICATIONS

- **Typical Uses**
  - Joining and restraining plain-end pipe of different outside diameters
- **Standard Pipe Sizes**
  - 2" to 12" nominal
- **Type of Pipe**
  - MDPE and HDPE (with stiffener), Steel, Ductile Iron, PVC
- **Working Pressure**
  - PE: 200 PSI
  - Steel: 300 PSI
  - Ductile Iron: 300 PSI
  - PVC: 235 PSI

#### MATERIALS

- **Follower Flange**
  - Material: 2" - 6" nominal pipe size(s) = ASTM A569 Grade 1008/1010 HR, Carbon Steel  
8"-12" nominal pipe size(s) = ASTM A536 Grade 65-45-12, Ductile Iron
  - Flexi-Coat® fusion bonded epoxy finish meets requirements of AWWA C213
- **Sleeve**
  - Material: 2" - 4" nominal pipe size(s) = ASTM A513 Grade 1008/1010 HREW, Carbon Steel  
6 - 12" nominal pipe size(s) = ASTM A283 Grade C, Carbon Steel
  - Standard Length: 2"-8" nominal pipe size(s) = 7"  
12" nominal pipe size = 10"
  - Flexi-Coat® fusion bonded epoxy finish meets requirements of AWWA C213
- **Grip Rings**
  - Material: 2" - 8" nominal pipe size(s) = ASTM A513 DOM 1026, Carbon Steel  
12" nominal pipe size = ASTM A36, Carbon Steel
  - Case hardened teeth for maximum pipe gripping
  - Coated in red oxide primer
- **Pressure Rings**
  - ASTM A569 Grade 1008/1010 HR, Carbon Steel
  - Coated in red oxide primer



# SPECIFICATION

## MAXI-GRIP<sup>®</sup> EZ-W<sup>™</sup>

### RESTRAINT REDUCING COUPLING EZWR

---

- **Timing Gaskets**
  - SBR ASTM-D2000 Rubber
  - Resistant to Carbon Dioxide, Water, UV, Ozone, and other chemicals
  - Timing Skirt allows for proper sealing before Grip Ring engagement
  - Temperature Rating: -40°F to +150°F
- **Bolts**
  - High Strength Low Allow (HSLA) Steel per AWWA C111/A21.11
  - 5/8"-11UNC, Oval Neck, Track-head
  - Rolled threads for improved physical characteristics, greater thread accuracy, and smooth surface finish
- **Nuts**
  - HSLA Steel per AWWA C111/A21.11
  - 5/8"-11UNC, Heavy Hex Semi-Finished

#### LISTINGS

- Meets applicable AWWA C219 standards

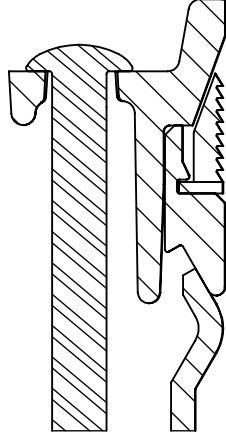
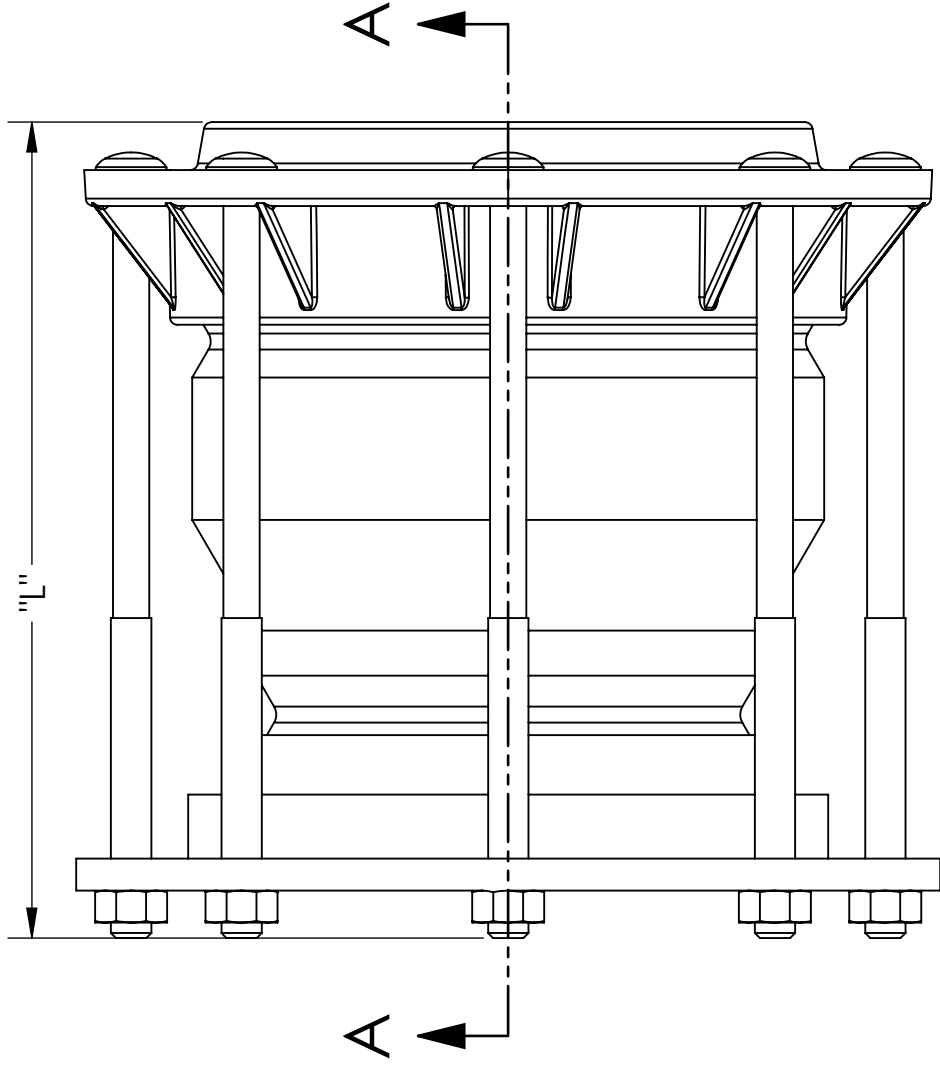
#### OPTIONS

- Stainless Steel hardware with fluoropolymer coated nuts
- Anode connector

#### NOTES

- Pipe stiffeners **required** when this product is used on MDPE, HDPE, or thin-wall PVC pipe
- Stainless Steel stiffeners are recommended for Water and Waste Water applications
- For straight applications, see EZWS specification
- Flexi-Coat<sup>®</sup> and MAXI-GRIP<sup>®</sup> are registered trademarks of Smith-Blair, Inc.
- These product specifications were correct at the time of publication and are subject to change without notice
- See the Smith-Blair website for part numbers and ordering information
- See the Smith-Blair website for warranty information
- See the Smith-Blair website for corrosion notice

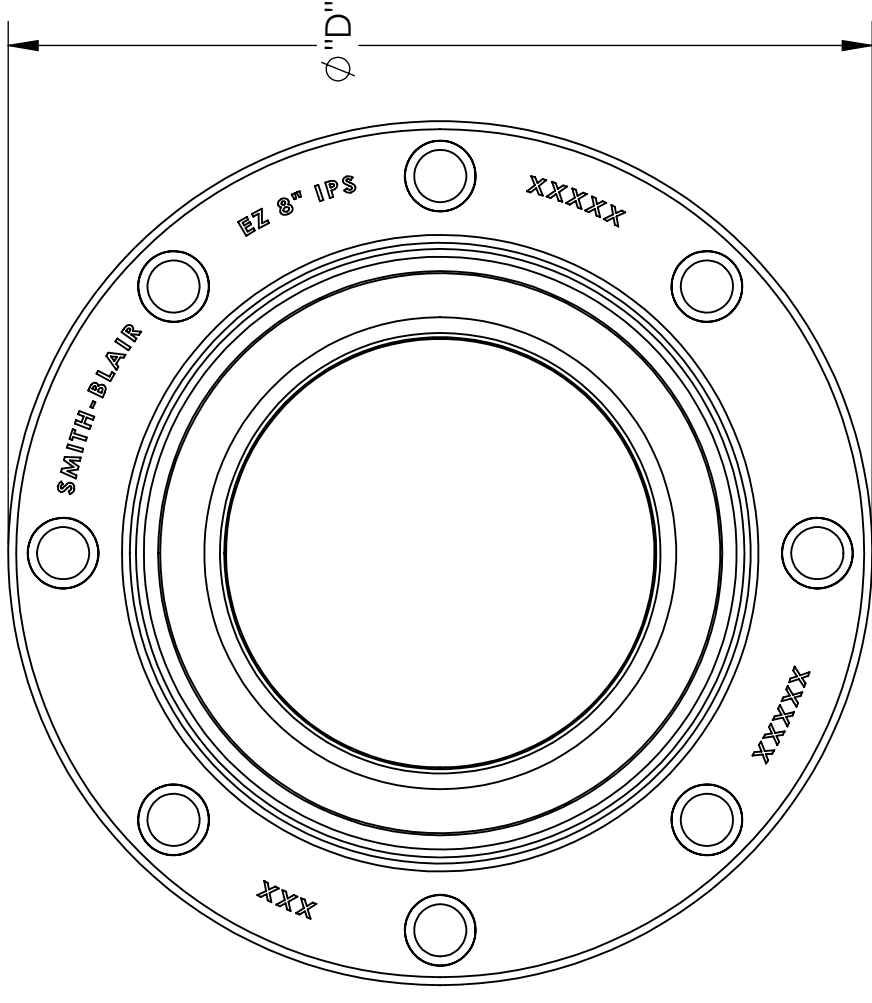
30 Globe Ave, Texarkana, AR 71854  
Ph: 870-773-5127 • Fax: 870-773-5212  
Toll-Free Numbers: Ph: 800-643-9705 • Fax: 800-648-6792



SECTION A-A

SEE CATALOG FOR PART NUMBERS AND ORDERING DETAILS

PIPE SIZES	LENGTH "L" (IN)	DIAMETER "D" (IN)	BOLT QUANTITY	WEIGHT (LBS)
3.50 x 2.38	12.50	7.75	4	20
3.80 x 3.50	12.50	8.50	4	22
4.80 x 4.50	12.50	9.64	4	26
6.63 x 4.50	12.50	11.00	6	34
6.90 x 4.80	12.50	11.75	6	41
6.90 x 6.63	12.50	11.75	6	44
7.10 x 6.90	12.50	11.75	6	43
8.63 x 6.63	12.50	13.25	8	62
9.05 x 6.90	12.50	13.75	8	71
9.05 x 8.63	12.50	13.75	8	65
9.30 x 9.05	12.50	13.75	8	68
13.20 x 12.75	15.50	18.35	12	121



TOLERANCES U.N.O. XX= ±.03 XXX= ±.015 FRACTIONS= 1/16 ANGLES= 1° MACH. FIN.	NOTES: REMOVE BURRS AND SHARP EDGES DO NOT SCALE DWG.	APP'D	DATE
	SCALE: N/A	CK'D	DATE
	ALL DIMENSIONS ARE IN INCHES.	DRN	DATE
TITLE <b>SPECIFICATION</b> <b>MAXI-GRIP® EZ-W™ RESTRAINT</b> <b>REDUCING COUPLING</b> <b>MODEL EZWR</b>		SPW	DATE
P/N <b>SMITH-BLAIR, Inc.</b> TEXARKANA, ARKANSAS		Various	
SPEC_EZWR.DRW		9/9/16	
DWG. NO.		3 OF 3 SHEET	
REV.		6/30/15	