


xylem
Let's Solve Water



hydrovar[®] X

THE ULTIMATE INTEGRATED MOTOR & DRIVE SOLUTION IN PERFORMANCE,
ENERGY EFFICIENCY, CONNECTIVITY AND SIMPLICITY

 **LOWARA**
a xylem brand

hydrovar X

When connectivity meets simplicity and sustainability.



Xylem is a leading global water technology company committed to solving critical water and infrastructure challenges through innovation. By providing smart and cutting-edge technology, we are reducing energy consumption to minimum possible levels and increasing sustainability.* There is one thing that Xylem shares with the greatest engineering innovators; that's the continuous investment into new products that is reflected in outstanding solutions. You can find all these features in hydrovar X, the answer to innovation, sustainability and user friendliness all-in-one.

hydrovar X delivers the best in energy efficiency performances with its frequency converter coupled with the ultimate synchronous motor, manufactured by Xylem - integrating decades of expertise and know-how in pumping solutions.

It is the right combination of motors, variable speed drives and pumps that provide great performance, maximum savings and a rapid return on investment.



*Reference
[Xylem Sustainability Report](#)
2022 (page 45)

e-SV hydrovar X
Vertical multistage stainless steel pumps



e-SVI hydrovar X
Immersible multistage pumps



e-HM hydrovar X
Horizontal multistage pumps



GHV hydrovar X
Variable speed booster sets



e-LNE hydrovar X
In-line pumps



e-NSC/e-SH hydrovar X
End suction pumps



Available soon

Sustainable

hydrovar X is a green technology solution, providing best-in-class efficiency. No rare earth metals are used, minimising its environmental footprint. Xylem accepted the challenge to fight supply chain and environmental concerns with a smarter technology that provides superior performance with a green heart.

Easy

The built-in application software makes it the easiest drive to commission, program and operate, enabling virtually any configuration of pumps.

Pump Solution

Integrated functions provide protection for the pump and motor, and improve the quality of energy from the grid. All of this means excellent energy saving from a compact, easy-to-use solution suited to nearly any application.

We've expanded the impressive list of features to another level:

Remote control and management via the Xylem X app

Graphic colour display

Preset from factory

Automated start-up menu

30 language sets

IE5 motor equipped with advanced control for the highest efficiency level and to extend the motor life

Standard multi-pump capability of up to 8 pumps with no single failure point

More features are to come, and via the app the user will always get the latest and most updated version

Select the right solution for you

hydrovar X is simple to use yet sophisticated and robust, embracing the most common through to the most demanding applications. The **hydrovar X+** option makes it easy to fulfil even the most complex applications.

hydrovar X



hydrovar X+



DISPLAY	LED display	Graphic colour display
CONTROLS		
pressure	•	•
flow		•
temperature		•
level		•
MULTI-PUMP	up to 4 pumps	up to 8 pumps
ENCLOSURE		
IP55/NEMA 4	•	•
working temperature -20/50°C	•	•
COMMUNICATION PROTOCOLS		
Modbus RTU	•	•
BACnet MS/TP	•	•
FEATURES		
IE5 synchronous motor	•	•
standard set of I/Os	•	•
extended I/Os		•
FUNCTIONALITY		
linear proportional pressure	•	•
MOBILE APP		
wireless communication	•	•

Discover hydrovar X.

You're in control with a backlit graphic colour display or seven segment display, within an IP55 cover. Three visual LED options for immediate unit status, with a keypad to navigate and quickly set up your unit.

Easy to commission, with a full set of languages.

Mobile app for smartphone.



Wiring chamber for a quick access to terminals.

Full set of I/Os to fulfil even the most demanding application.

Modbus and BACnet as standard.

Advanced system control for pump applications, pre-programmed from the factory, with built-in multipump system control up to 8 units.

Protection cover for electronic parts, for a safer installation.



The most compact motor design ever, entirely designed and built by Xylem for our pump solutions: the perfect match of precision and performance.

Assisted reluctance best-in-class efficiency motor.

Multiple cable glands available for easy access.

SOLUTIONS

Motor with embedded variable speed drive

Smart device

Vast expertise in pump & motor manufacturing

BENEFITS

Optimised motor & drive footprint
Increased robustness and operation window, down to -20°C
Maximum integration enabling dynamic control at the optimal duty point anytime

Onboard IoT for user-friendly installation & operation
Extensive monitoring connectivity capabilities
Minimised inventory due to flexible spare parts management

Dedicated solution for pump applications

Don't hold back your imagination.



With the graphical colour display you can quickly set-up and navigate the menu of your unit: check all the parameters and choose the perfect unit configuration to fit your installation. No time to do it? Genie will start up and run the unit for you!



Xylem X, mobile App for smartphones available now.

xylem vue

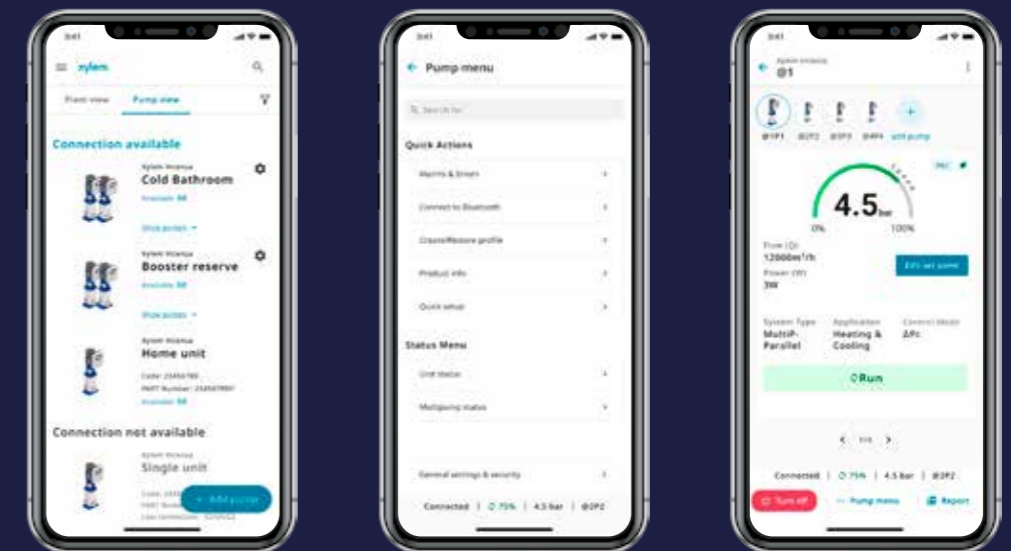
Digital transformation starts with Xylem Vue

Digital adoption is no longer an option; it's an urgent reality to meet the increasing pressures you face. hydrovar X is an important part of our full suite of digital solutions, Xylem Vue, that combines smart and connected technologies, intelligent systems and services, and 100+ years of problem solving expertise. Xylem Vue helps solve your most pressing water challenges and delivers transformative outcomes for your communities - faster and more affordably. Let's see what's possible for you, and let's do it together.

For more information on Xylem Vue, go to xylem.com/XylemVue

Set up the unit with the colour display or with the app on your mobile phone. **Stay connected!**

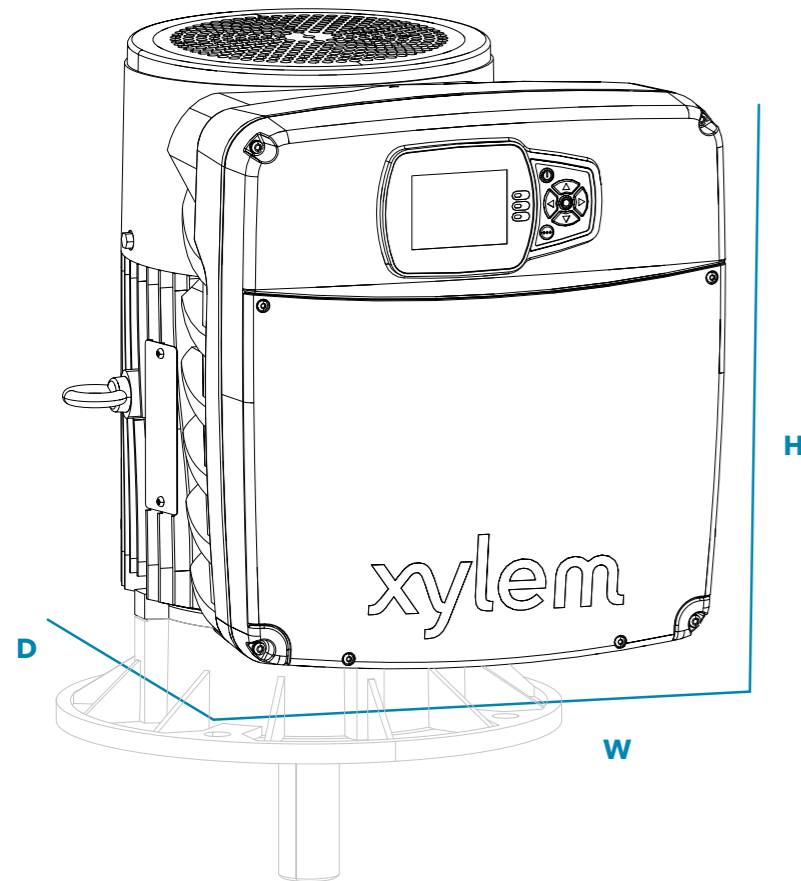
Check your systems from wherever.



hydrovar X and Avensor, better together!

hydrovar X can communicate with Avensor, Xylem IoT platform enabling the complete overview of all connected assets, anytime, anywhere. Avensor collects historical data to analyse trends and generate alerts preventing failures and equipment downtime. You get the right insights to make smarter decisions with the remote and on-site support from Xylem and our partners.

Dimensions



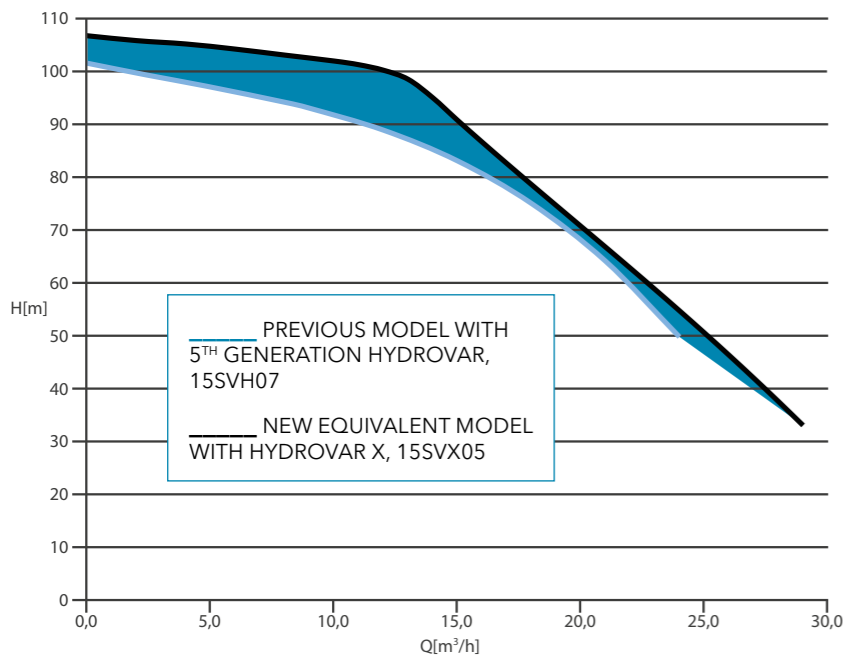
Motor power in kW	H (mm)	W (mm)	D (mm)
3 - 5.5	289	256	284
5.5 - 11	329	302	351
11 - 22	400	362	442

Electromagnetic compatibility (EMC). hydrovar X complies with the product standard EN6180-3:2004 + A1:2012 part 1, which also refers to applications in domestic structures and buildings/infrastructures.

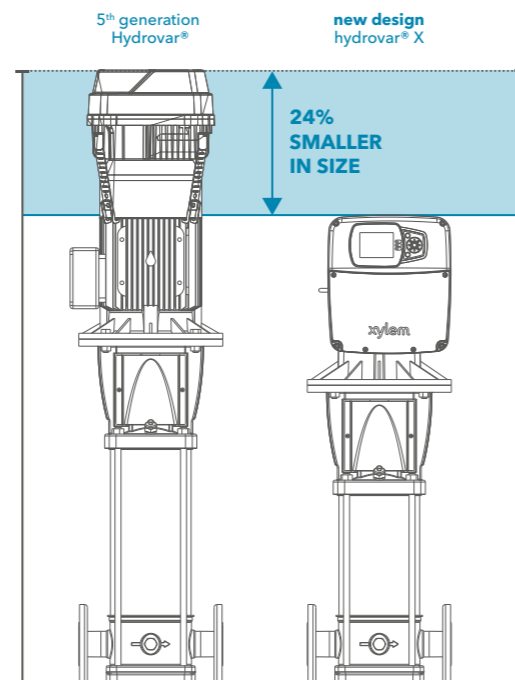


FOR MORE TECHNICAL DETAILS ABOUT YOUR PUMP SCAN HERE

Extended working performances



hydrovar X curve vs traditional 50Hz curve



hydrovar X OFFERS HIGHER PERFORMANCE WITH A REDUCED FOOTPRINT EVEN COMPARED TO THE LEGACY 5TH GENERATION HYDROVAR SOLUTION.

Technical features

hydrovar X

hydrovar X+



INPUTS AND OUTPUTS

	hydrovar X	hydrovar X+
Analog inputs	2	4
Analog input configuration	0-20mA / 4-20mA / 0-10V / 2-10V	0-20mA / 4-20mA / 0-10V / 2-10V
Digital inputs	3	5
Analog output	1	1
Analog output configuration	0-20mA / 4-20mA / 0-10V / 2-10V	0-20mA / 4-20mA / 0-10V / 2-10V
Relay output (Form C)	2	2
10 V supply		1

COMMUNICATION

	hydrovar X	hydrovar X+
RS485 port	2	2
Modbus RTU	yes	yes
BACnet MS/TP	yes	yes
Multipump internal protocol	yes	yes
Wireless for smartphone app	yes	yes

EMC category C2 according to EN 61800-3

	hydrovar X	hydrovar X+
leakage current	<3.5 mA	<3.5 mA

The leakage currents are measured in accordance with EN 61800-5-1

MAIN CONNECTORS

	hydrovar X	hydrovar X+
Voltage and power	3x200-240V 3x380-480V	3x200-240V 3x380-480V
Voltage tolerance	+/-10%	+/-10%
Motor efficiency	IE5	IE5
Network	ye TN/TT (IT with optional motor) according to IEC 60364	ye TN/TT (IT with optional motor) according to IEC 60364

ENVIRONMENT

	hydrovar X	hydrovar X+
Degree protection	IP55/NEMA 4	IP55/NEMA 4
Operating temperature	-20/50°C without derating	-20/50°C without derating
Storage temperature	-40/70°C	-40/70°C
Altitude	0-1000m without derating	0-1000m without derating
Humidity	max 95% with no condensation	max 95% with no condensation

e-SV

The e-SV fabricated stainless steel vertical multistage pump is an energy saving, non-priming pump built to withstand a variety of mechanically aggressive, high temperature liquids, and is designed to extend uptime and help reduce lifecycle costs in a wide range of demanding applications.

The e-SV pump is one of the highest efficiency multistage pumps on the market today. It features 11 different sizes from 1 to 125 m³/h, and each can be specially configured for a

wide range of environments. This fabricated vertical multistage pump is also easy to install and economical to maintain. When it comes to efficiency, the e-SV delivers.

e-SV multistage pumps have a history of performance handling water and liquids such as glycol, oils/solvents, and more in the industrial, municipal, commercial building services and agricultural markets.

Take the efficiency and low lifetime costs of e-SV multistage pumps to new levels with hydrovar X - first-class pump management that optimises connectivity, sustainability and performance.

Specifications

Flow rate: up to 160 m³/h

Head: up to 260 m

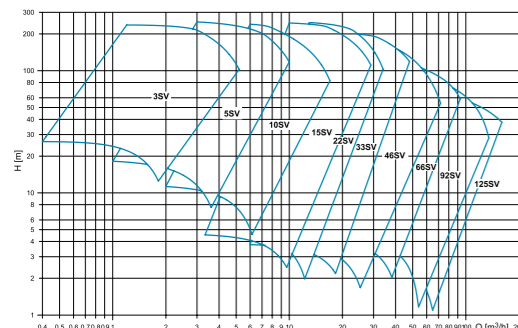
Temperature of pumped liquid: up to 120°C

Maximum operating pressure 16, 25 or 40 bar (PN16, PN25 or PN40)

The hydraulic performance meets the tolerances specified in ISO 9906:2012

Environment temperature: -20° C to 50° C with no performance derating

Performance Curve



SCAN HERE FOR
TECHNICAL DETAILS



e-SVI

The e-SVI is an efficient, reliable, high-performance pump specially designed to be mounted on the top of a tank, with the pump unit immersed in the liquid to be pumped. Designed with flexibility and reliability in mind, e-SVI is an industry-leading range, with flows up to 120 m³/h with sizes from 1 to 92, and is an effective solution to many needs in a wide variety of applications in the industrial, OEM and commercial building services markets. The e-SVI can be built with a variable number of stages to cover a wide range of duty points. It's configured to allow an additional number of blank

stages, so that the height of the immersed part can accommodate different suction depths. It can serve as an interchangeable drop-in replacement for pumps with ¾", 1¼" or 2" Rp threaded fittings, and for larger sizes a DN80 flanged discharge connection is standard. The e-SVI pump is available in a wide assortment of mechanical seals designed to handle high temperatures, high pressures and aggressive liquids with ease. Durable materials prevent downtime and prolong the life of the seal.

Industrial applications that demand the reliability of e-SVI multistage pumps are taken to new levels with hydrovar X - with intelligent pump management and connectivity that offers maximum uptime and precision performance.

Specifications

Flow rate: up to 135 m³/h

Head: up to 260 m

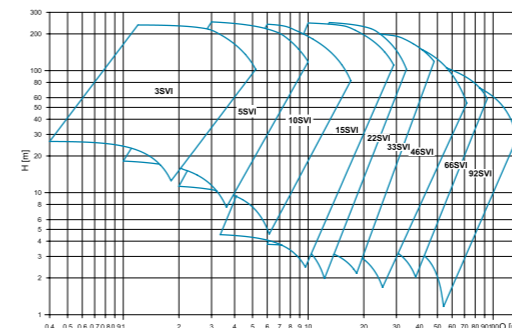
Temperature of pumped liquid: up to 120°C maximum

Maximum operating pressure 25 bar (PN 25)

The hydraulic performance meets the tolerances specified in ISO 9906:2012

Environment temperature: -20° C to 50° C with no performance derating

Performance Curve



SCAN HERE FOR
TECHNICAL DETAILS



e-HM

e-HM series is a versatile line of horizontal multistage pumps designed for best-in-class efficiency and superior durability to slash the total cost of ownership. Customisable options mean you get exactly the right pump for your application, exactly when you need it. The e-HM pump is available in 6 different sizes from 1 to 22 m³/h to cover a large requirement in flow rate with maximum efficiency. Whether operating in building services, industrial or residential applications, the e-HM is designed to meet your water needs.

e-HM series is designed to handle water, free of suspended solids, in the civil, industrial and agricultural sectors. Its versatile field of application includes pressure boosting and water supply systems, industrial washing and cleaning, circulation of hot and cold liquids for heating, cooling and conditioning systems, water treatment, food and beverage, and HVAC.

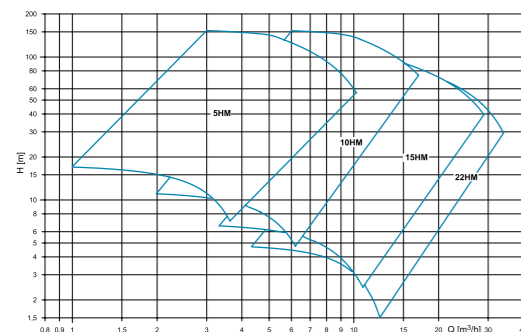


Enhance the reliability and energy-saving performance of e-HM horizontal multistage pumps with hydrovar X - first-class pump management that optimises efficiency, connectivity and sustainability.

Specifications

- Flow rate: up to 34 m³/h
- Head: up to 160 m
- Maximum operating pressure 16 bar (PN 16)
- Environment temperature: -20°C to 50°C with no performance derating
- Temperature of pumped liquid: up to 120°C
- The hydraulic performance meets the tolerances specified in ISO 9906:2012

Performance Curve



SCAN HERE FOR TECHNICAL DETAILS

GHV

The Lowara GHV series booster sets are fully automatic for water supply, water pressure increase and water transfer in condominiums, office buildings, hotels, public buildings, industries and other applications.

The GHV series is equipped with 1 to 8 vertical multistage e-SV pumps, each fitted with a hydrovar X variable frequency drive independently controlled for maximum reliability. Thanks to its unique compact design, the GHV series makes installation

possible even in tight spaces. The GHV series is easy to program, designed for maximum energy efficiency and can communicate with a BMS system via Modbus or BACnet.

The GHV series is certified for use with potable water.

GHV booster sets are available with other pump series and with other options on request.

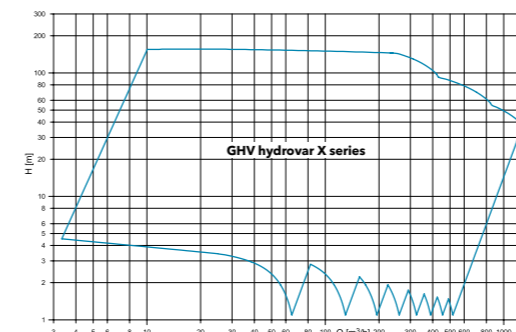
Reach a new level of performance, sustainability and connectivity with GHV with hydrovar X - compact, reliable, all-in-one booster sets with intelligent pump management.



Specifications

- Flow rate: up to 1280 m³/h
- Head: up to 160 m
- Temperature of pumped liquid: up to 65°C
- Maximum operating pressure 16 bar (PN 16)
- The hydraulic performance meets the tolerances specified in ISO 9906:2012

Performance Curve



SCAN HERE FOR TECHNICAL DETAILS

Xylem |'zīləm|

- 1) The tissue in plants that brings water upward from the roots;
- 2) a leading global water technology company.

We're a global team unified in a common purpose: creating advanced technology solutions to the world's water challenges. Developing new technologies that will improve the way water is used, conserved, and re-used in the future is central to our work. Our products and services move, treat, analyse, monitor and return water to the environment, in public utility, industrial, residential and commercial building services settings. Xylem also provides a leading portfolio of smart metering, network technologies and advanced analytics solutions for water, electric and gas utilities. In more than 150 countries, we have strong, long-standing relationships with customers who know us for our powerful combination of leading product brands and applications expertise with a strong focus on developing comprehensive, sustainable solutions.

For more information on how Xylem can help you, go to www.xylem.com/au



Xylem - Australia
Tel: 13 19 14
Email: solve@xylem.com
www.xylem.com/au

Xylem - New Zealand
Tel: 0800 33 19 14
Email: solve@xylem.com
www.xylem.com/nz