

VT TOC UV System
EMEA / APAC
Certification/Approvals: CE Marked
Common Option Features

Features	Standard Chamber Specification	Options
Lamp Life	12,000 hours	
Lamp design	TwistLok™ Quick Release, Improved Safety, Low Pressure Amalgam Lamp - Enhanced 185nm Output	
Lamp Access	Single Ended Access	
Design Pressure	10 Barg Design (15 Barg Test)	
Sensors	1 Monitor Package Incl NIST UV Sensor + PT100 Temp Sensor	
Variable Power	100% to 60% Power (Automatic Dose Pacing)	
Connection Type	EN 1092-1 (PN10)	ANSI-150, AS 4087 (PN16), DIN-32676, ASME BPE
Connection Orientation	U Type (Top-Top)	Z Type (Top-Bottom) (VT-16300-10 & VT-24300-14 & VT-32300-16 only)
Material of Construction	316L Stainless Steel	
Internal Surface Finish	0.8 Ra	0.4 Ra
Internal / External Surface Treatment	Machine Polish	Electropolish
Quartz Type	High Purity Quartz Sleeves	
Installation/Mounting	Adjustable Inlet/Outlet Orientation	
Vent Port	Threaded (BSP)	DIN 32676, ASME BPE
Drain Port	Threaded (BSP)	DIN 32676, ASME BPE
Seals	FDA VITON	

Common Option Features (continued)

Features	Standard Control Panel Specification	Options
Material	Epoxy Coated Mild steel - RAL 7035	Stainless Steel (304)
Mounting	Wall Mounted	Floor Standing (dependent on Supply Voltage and Model)
Control Type	Microprocessor	
Power supply	Electronic Ballast	
Ingress Protection	IP54	IP56
Environmental Control	Forced Air cooled (Fan) Thermostat controlled anti-condensation heater (VT-16300-10, VT-24300-14 & VT-32300-16 only)	
Interface	Spectra Membrane (VT-1300-4, VT-2300-6, VT-4300-6 & VT-8300-8 only)	Spectra Touch
Communication	Modbus (RS-422 / RS-485)	Profibus DP
Protection	Door Locked MCCB Isolator	
Operating Temperature	Max Working Ambient +40°C	
Digital Inputs	3 selectable	Additional 3 (As Standard for VT-16300-10, VT-24300-14 & VT-32300-16)
Digital Outputs	3 selectable	Additional 3 (As Standard for VT-16300-10, VT-24300-14 & VT-32300-16)
Analogue Inputs	1 selectable	Additional 1 (As Standard for VT-16300-10, VT-24300-14 & VT-32300-16)
Analogue Outputs	1 selectable	Additional 1 (As Standard for VT-16300-10, VT-24300-14 & VT-32300-16)
Supply Voltage	200-240V (50/60 Hz) (VT-1300-4, VT-2300-6, VT-4300-6 & VT-8300-8 only) 380-415V 3PH + N (50/60 Hz) (VT-16300-10, VT-24300-14 & VT-32300-16 only)	380-415V 3PH (50/60 Hz) 440V 3PH (50/60 Hz) 690V 3PH (50/60 Hz) (Above options apply to VT-16300-10, VT-24300-14 & VT-32300-16 only)
Cable Length	10m	15m, 30m



Unit 1A Hawleys Lane, Warrington, WA2 8JP, UK

+44 300 124 0500

www.xylem.com

Twistlok is a trademark of Evoqua Water Technologies LLC, its subsidiaries or affiliates, in some countries

All information presented herein is believed reliable and in accordance with accepted engineering practices. Evoqua makes no warranties as to the completeness of this information. Users are responsible for evaluating individual product suitability for specific applications. Evoqua assumes no liability whatsoever for any special, indirect or consequential damages arising from the sale, resale or misuse of its products.

© 2025 Evoqua Water Technologies Subject to change without notice.

DS-VTTOC-EN-DS-0225

System Information

UV System	VT-1300-4	VT-2300-6	VT-4300-6	VT-8300-8	VT-16300-10	VT-24300-14	VT-32300-16
Number of Lamps	1	2	4	8	16	24	32
Connection Size Options (mm/inch)	DN50/2" DN75/3"	DN50/2" DN75/3" DN100/4"	DN 75/3" DN100/4"	DN 75/3" DN100/4" DN150/6"	DN100/4" DN150/6" DN200/8"	DN100/4" DN150/6" DN200/8" DN250/10"	DN100/4" DN150/6" DN200/8" DN250/10" DN300/12"
Power Consumption (W)	230	460	1,320	2,640	5,280	7,920	10,560
Chamber Weight (Dry) (kg / lbs)	27 / 60	43 / 95	59 / 130	85 / 187	160 / 353	202 / 445	273 / 602
Chamber Weight (Wet) (kg / lbs)	36 / 79	63 / 139	87 / 192	132 / 291	228 / 503	320 / 706	459 / 1012
Panel Weight (kg / lbs)	24 / 53	26 / 57	31 / 68	34 / 75	60 / 132	80 / 177	90 / 199



evoqua
WATER TECHNOLOGIES

Unit 1A Hawleys Lane, Warrington, WA2 8JP, UK

+44 300 124 0500

www.xylem.com

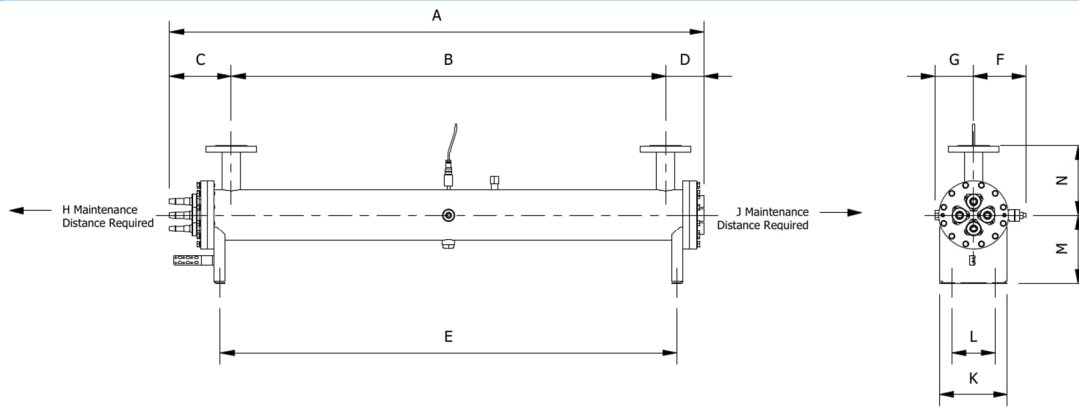
Twistlok is a trademark of Evoqua Water Technologies LLC, its subsidiaries or affiliates, in some countries

All information presented herein is believed reliable and in accordance with accepted engineering practices. Evoqua makes no warranties as to the completeness of this information. Users are responsible for evaluating individual product suitability for specific applications. Evoqua assumes no liability whatsoever for any special, indirect or consequential damages arising from the sale, resale or misuse of its products.

© 2025 Evoqua Water Technologies Subject to change without notice.

DS-VTTOC-EN-DS-0225

Dimensions



For full dimensions please see specific GA drawing

UV System	VT-1300-4	VT-2300-6	VT-4300-6	VT-8300-8	VT-16300-10	VT-24300-14	VT-32300-16
Chamber Dimensions							
A (mm / inches)	1734 / 68.3	1734 / 68.3	1734 / 68.3	1734 / 68.3	1734 / 68.3	1734 / 68.3	1734 / 68.3
B (mm / inches)	1420 / 55.9	1380 / 54.3	1410 / 55.5	1380 / 54.3	1340 / 52.8	1330 / 52.4	1300 / 51.1
C (mm / inches)	196 / 7.7	215 / 8.5	200 / 7.9	215 / 8.5	235 / 9.3	240 / 9.5	255 / 8.8
D (mm / inches)	119 / 4.7	139 / 5.5	200 / 7.9	215 / 8.5	235 / 9.3	240 / 9.5	179 / 7
E (mm / inches)	1489 / 58.6	1477 / 58.1	1481 / 58.3	1473 / 58	1465 / 57.7	1453 / 57.2	1403 / 55.2
F (mm / inches)	137 / 5.4	170 / 6.7	171 / 6.7	193 / 7.6	220 / 8.7	259 / 10.2	282 / 11.1
G (mm / inches)	99 / 3.9	126 / 4.9	126 / 4.9	151 / 5.9	177 / 7	220 / 8.7	242 / 9.5
H (mm / inches)	1720 / 67.7	1720 / 67.7	1720 / 67.7	1720 / 67.7	1720 / 67.7	1720 / 67.7	1720 / 67.7
J (mm / inches)	250 / 9.8	250 / 9.8	250 / 9.8	250 / 9.8	250 / 9.8	250 / 9.8	250 / 9.8
K (mm / inches)	180 / 7.1	220 / 8.7	220 / 8.7	270 / 10.6	320 / 12.6	405 / 15.9	445 / 17.5
L (mm / inches)	120 / 4.7	140 / 5.5	140 / 5.5	180 / 7.1	220 / 8.7	320 / 12.6	345* / 13.6
M (mm / inches)	155 / 6.1	185 / 7.3	225 / 8.9	250 / 9.8	275 / 10.8	350 / 13.8	300 / 11.8
N (mm / inches)	175 / 6.9	225 / 8.9	225 / 8.9	250 / 9.8	275 / 10.8	350 / 13.8	375 / 14.7



Unit 1A Hawleys Lane, Warrington, WA2 8JP, UK

+44 300 124 0500

www.xylem.com

Twistlok is a trademark of Evoqua Water Technologies LLC, its subsidiaries or affiliates, in some countries

All information presented herein is believed reliable and in accordance with accepted engineering practices. Evoqua makes no warranties as to the completeness of this information. Users are responsible for evaluating individual product suitability for specific applications. Evoqua assumes no liability whatsoever for any special, indirect or consequential damages arising from the sale, resale or misuse of its products.

© 2025 Evoqua Water Technologies Subject to change without notice.

DS-VTTOC-EN-DS-0225

Panel Dimensions										
	VT-1300-4	VT-2300-6	VT-4300-6	VT-8300-8	VT-16300-10		VT-24300-14		VT-32300-16	
Standard	Wall	Wall	Wall	Wall	Wall	Floor	Wall	Floor	Floor	Floor
H mm	500	500	600	600	800	1600	1000	1800	1800	1800
W mm	500	500	600	600	800	800	800	1000	1000	1000
D mm	250	250	300	300	300	400	300	400	400	400
SS/IP56	Wall	Wall	Wall	Wall	Wall	Floor	Wall	Floor	Floor	Floor
H mm	500	500	600	600	800	1600	1000	1800	1800	1800
W mm	500	500	600	600	800	800	800	1000	1000	1000
D mm	210	210	300	300	300	400	300	400	400	400



evoqua
WATER TECHNOLOGIES

Unit 1A Hawleys Lane, Warrington, WA2 8JP, UK

+44 300 124 0500

www.xylem.com

Twistlok is a trademark of Evoqua Water Technologies LLC, its subsidiaries or affiliates, in some countries

All information presented herein is believed reliable and in accordance with accepted engineering practices. Evoqua makes no warranties as to the completeness of this information. Users are responsible for evaluating individual product suitability for specific applications. Evoqua assumes no liability whatsoever for any special, indirect or consequential damages arising from the sale, resale or misuse of its products.